

LED Retrofit Down Lights



MODEL SPECIFICATION

MODEL:	SIZE	WATTAGE	5CCT	LUMEN
SZ-DL12W4-ACP-277V	4inch	6W/9W/12W	2700K	500-750-1000lm
			3000K	
			3500K	
			4000K	
			5000K	
MODEL:	SIZE	WATTAGE	5CCT	LUMENS
SZ-DL18W6-ACP-277V	6inch	10W/14W/18W	2700K	800-1200-1500lm
			3000K	
			3500K	
			4000K	
			5000K	

DESCRIPTION

PC driver housing and Aluminum reflector with architectural white finish.

Easy clip-in to existing can housing.

Features color tunable technology lets the user choose between 2700K, 3000K, 3500K, 4000K, or 5000K.

3 levels of adjustable wattage.

Damp-location rated, ideal for residential housings, hotels, corridors, home decoration, shopping malls, schools.

TECHNICAL SPECIFICATION

VOLTAGE	120-277V
POWER FREQUENCY	60Hz
POWER FACTOR	>0.9
5CCT	2700K 3000K 3500K 4000K 5000K
CRI	90
BEAM ANGLE	100°
MATERIAL	AL+PC
COLOR	White
LIFESPAN	≥ 50,000hours
OPERATING TEMP	(-4°F~ 113°F) -20~45 °C
DIMMABLE	0-10V
RATING	Suitable for Damp Locations
WARRANTY	5 year limited

FEATURES

- Emits evenly, without halo or shadows.
- Continuous dimming from 100% to 0% with many 0-10V Dimmers
- Smooth finish

INSTALLATION

Fit in 4 , 5/6 inch compatible housing cans directly, no additional accessories are required.

DIMMING

Compatible with most 0-10V dimmers to give user a smooth 100%-0% dimming to choose the desired brightness. Please check the recommended dimmer list in next page.

ELECTRICAL

This fixture is built with the highest quality 120-277V Driver, ensuring energy efficiency.

ENERGY SAVINGS

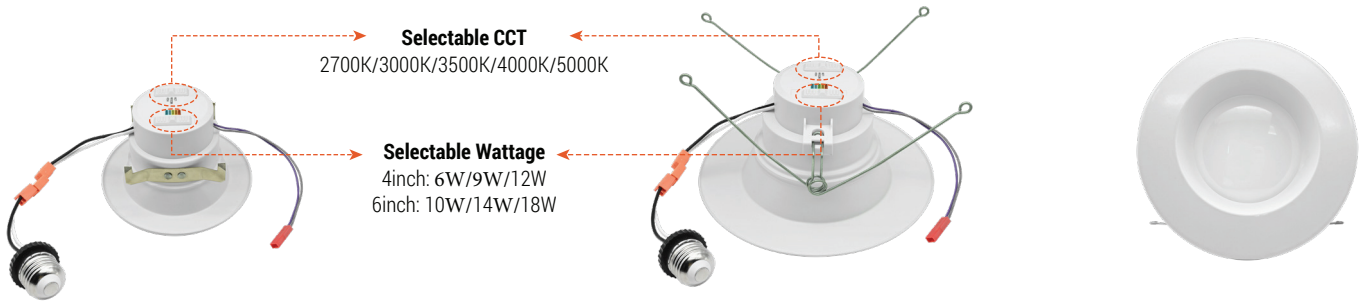
80% more energy savings than halogen lamps.

LISTING

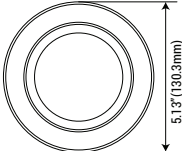
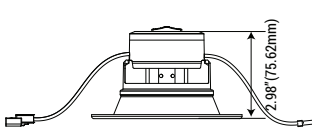

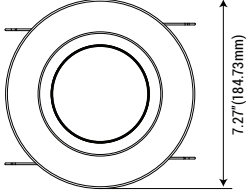
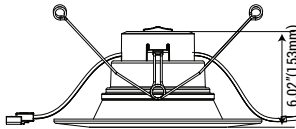
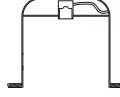
ETL Listed.Energy Star.Title24.

LED Retrofit Down Lights

Selectable CCT & Wattage



SIZE & DIMENSION & HOUSING CANS

Size	Dimension	Housing Cans
4inch	 	 4" housing cans
6inch	 	 6" housing cans

RECOMMENDED DIMMER

LUTRON		LEGRAND
RMJS-8T-DV-B	MS-Z101-WH	RH4FBL3PW
Divi DVSTV	DVSTV-WH	

ACCESSORIES



E26 Adapter