

## Features :

- High End Design with deep regress with remote driver j box. .
- ETL certified.
- Provides comfortable diffused light with no dark spots.
- AC100-277V, 0-10V Dimmable .
- 5CCT selectable version optional.
- High efficiency LM80 SMD LEDs.
- Designed for 50,000 hours lifetime.
- Suitable for indoor Dry, Damp locations.
- Easy and quick installation to the ceiling.

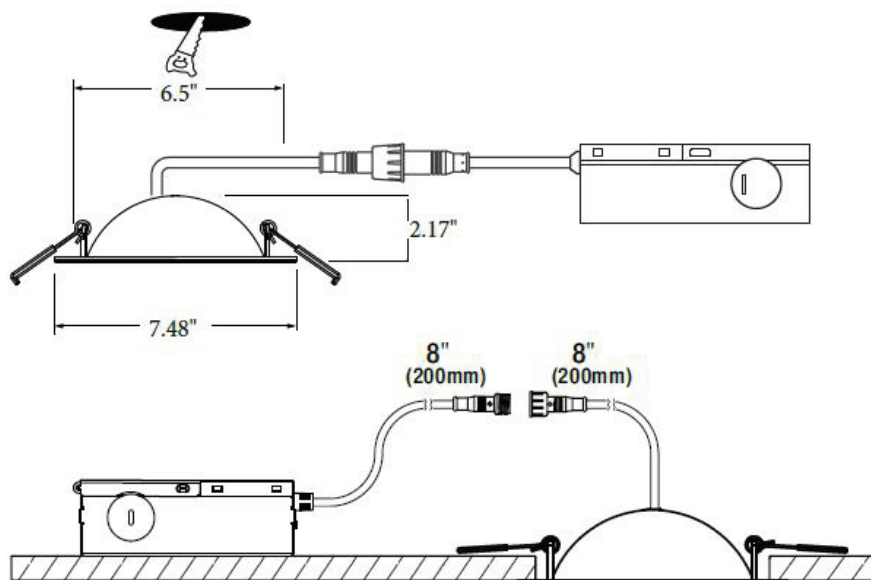


## Application:

- ◆ Residential.
- ◆ Property management.
- ◆ Office, Multi-family.
- ◆ Hospitality, Healthcare etc..



## Product Dimension:



## Specifications

### Rotatable Gimbal LED Downlight

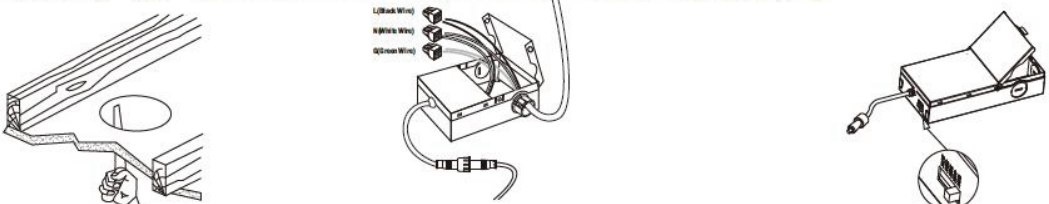
Model:	SZ-DL15W6-RG-CCT-R-277V
Wattage:	15W
Input:	100-277V
Size:	6 inch
CCT Selectable:	2700K/3000K/3500K/4000K/5000K
CRI:	80
Beam Angle:	55°
Function	Horizontal 360° & Tilt 90° adjustment
Lumens:	1500LM
PF:	>0.9
Dimmable:	0-10V
Housing color:	White / Black
Certification:	ETL
Warranty:	5 years

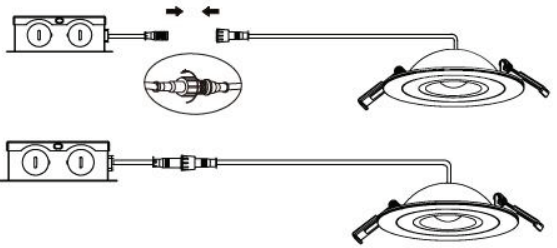
## Package

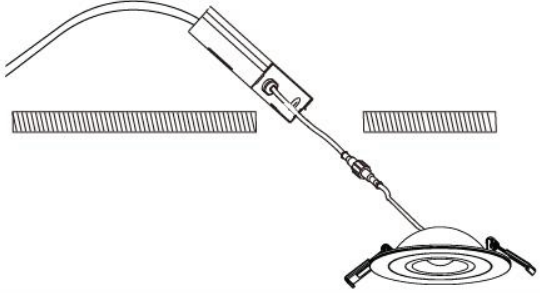
Size	Qty/Carton	Gross Weight
17.52*16.14*16.54"	20	18.5Kg

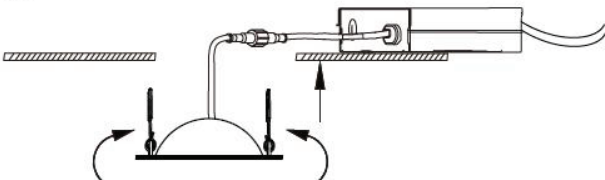
## Installation instructions

- 1** Tighten Romex/NM connector clamp. Select desired CCT by sliding switch in driver box end and close junction box.(If 3CCT/5CCT)


- 2** Connect light engine. Be sure to properly align connectors and fully screw down connector cover.


- 3** Place driver box into ceiling. (Optional: Mount using mounting tabs and screws)


- 4** Push up spring-arms on side of fixture, lift into ceiling, and release spring-arms.


- 5** Completed the installation and Turn on power and enjoy your new lighting.

