



LED Canopy Light

SZ-CNP150W-H-5700K

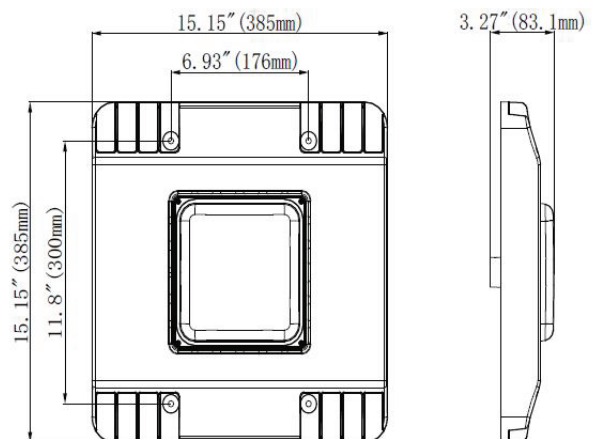
Advantage:

- ETL & DLC certificate
- 2835 Chip, high CRI
- IP65 SOSEN Driver
- Input voltage 120-277VAC
- No UV or IR in the beam
- Easy to install and operate
- Energy saving, long lifespan
- Light is soft and uniform, safe to eyes
- Instant start, NO flickering, NO humming
- Green and eco-friendly without mercury.



Application:

Widely used in gas station, service station, underground parking lot, garage and so on.



Product Specifications

Product Name	LED Canopy light
Light Type	SZ-CNP150W-H-5700K
Dimension	15.15*15.15*3.27"

Technical Characteristic

Color temperature	5000K/5700K
CRI	>80
Lumen	21000LM
Lumen Efficacy	140LM/W
Input Power	150W
Viewing Angle	120 Degree
Input Voltage	120-277V 50/60Hz
Driver model	SOSEN driver, (0-10Vdc Dimmer, Surge-protective 6KV)
PF	>0.9
Waterproof Rating	IP65

Materials

LED Type	2835
LED QTY	312PCS
Housing	Aluminum(ADC12)
Housing color	White
Cover	Frosted lens
Operating Temperature	-40°C TO 45°C
Operating Humidity	10%-90% RH
Storage Temperature	-40°C TO 80°C

Others

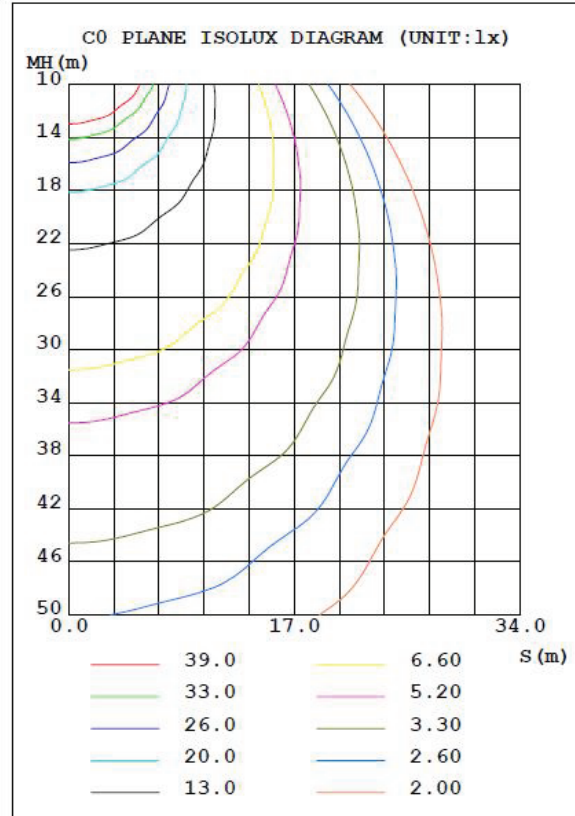
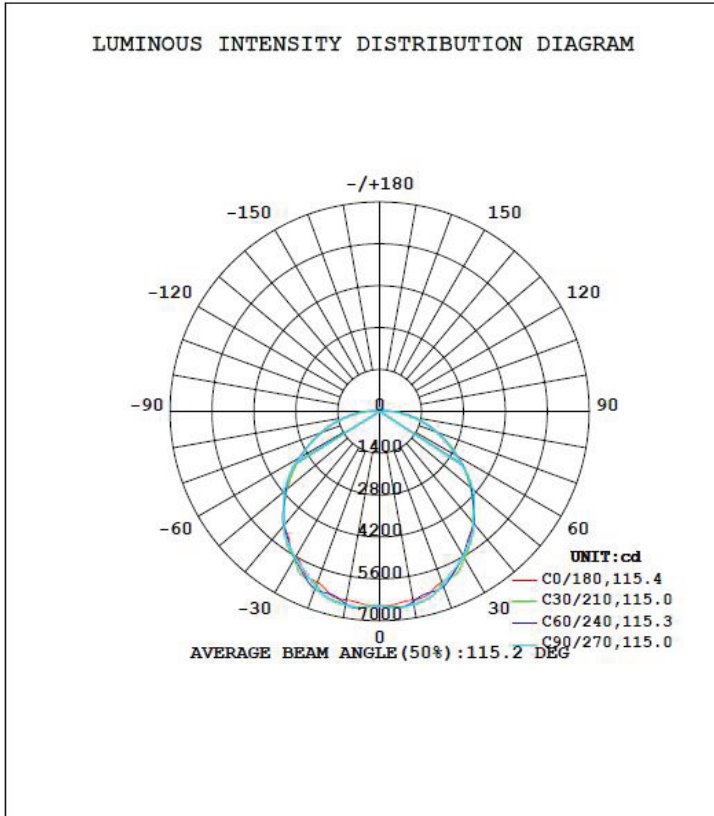
Storage Humidity	10%-95%
Application	Outdoor
Safety Certification	ETL & DLC
Warranty Time	5 Years

Light Distribution Testing Parameters

LUMINAIRE PHOTOMETRIC TEST REPORT

Test:U:120.29V I:1.2523A P:150.35W PF:0.9981 Freq:59.98Hz UTHDi:0% ITHDi:0% Lamp Flux:20835.5x1 lm		
NAME: SZ-CNP150W-H-5700K	TYPE:	WEIGHT:
SPEC.:	DIM.:	SERIAL No.:
MFR.:	SUR.:	Shielding Angle:

DATA OF LAMP		PHOTOMETRIC DATA Eff: 138.58 lm/W			
MODEL	SZ-CNP150W-H-5700K	I _{max} (cd)	6625	S/MH (C0/180)	1.29
NOMINAL POWER (W)	150	LOR (%)	100.0	S/MH (C90/270)	1.29
RATED VOLTAGE (V)	120	TOTAL FLUX (lm)	20835	η UP, DN (C0-180)	1.7, 48.0
NOMINAL FLUX (lm)	20835.5	CIE CLASS	DIRECT	η UP, DN (C180-360)	1.5, 48.8
LAMPS INSIDE	1	η up (%)	3.2	CIBSE SHR NOM	1.25
TEST VOLTAGE (V)	120	η down (%)	96.8	CIBSE SHR MAX	1.35

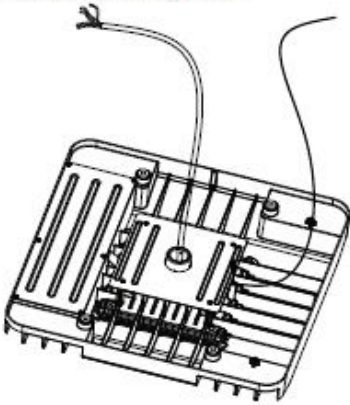
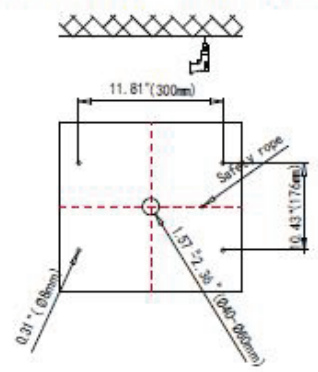
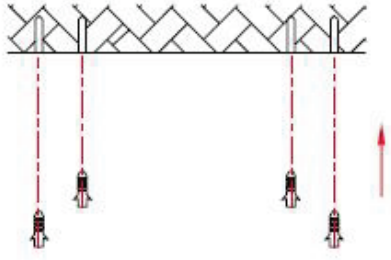
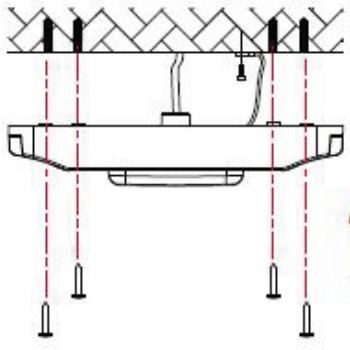
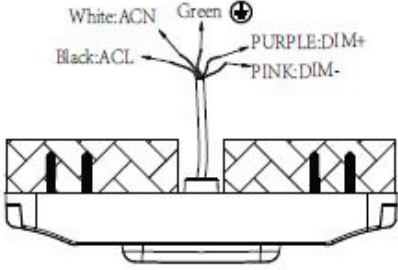


Package

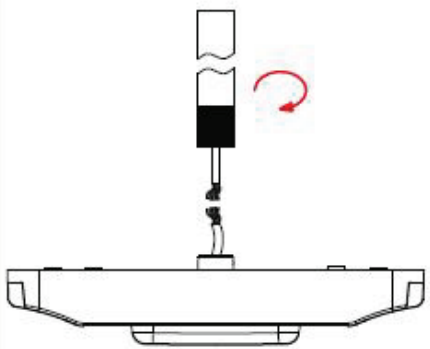
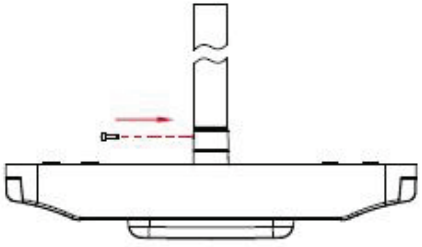
Model	Net Weight	Size	Qty/Carton	Weight/Carton
SZ-CNP150W-H-5700K	3.65KG	16.54*16.54*4.53"	1	4.3KG

Installation Instruction

Installation method I : Ceiling Installation

<p>1. Fix the safety rope on the back of fixture by supplied screw PWM4*8.</p> 	<p>2. Drill 5 holes on the ceiling based on the diameter of supplied plastic anchor as picture, to make them match the holes on the fixture.</p> 	<p>3. Screw the anchors to holes on ceiling respectively.</p> 
<p>4. Screw the safety rope. And fix the fixture to the ceiling with tapping screws.</p> 	<p>5. Connecting the wires respectively: Black-L, White-N, Green-earth, PURPLE:DIM+, PINK:DIM-</p> 	

Installation method II: Pole-pendent Installation

<p>1. Connecting wires from fixture and 3/4" NPT thread with terminal caps as picture</p> 	<p>2. Rotating the 3/4" NPT thread to make it fixed with lamp, and fix the NPT with supplied screw.</p> 
--	---