



LED Canopy Light

SZ-CNP180W-ACP

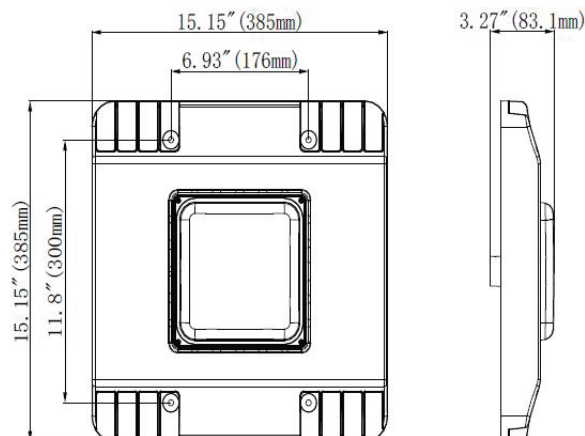
Advantage:

- ETL & DLC certificate
- 2835 Chip, high CRI
- Adjustable CCT and Power
- Input voltage 120-277VAC
- No UV or IR in the beam
- Easy to install and operate
- Energy saving, long lifespan
- Light is soft and uniform, safe to eyes
- Instant start, NO flickering, NO humming
- Green and eco-friendly without mercury.



Application:

Widely used in gas station, service station, underground parking lot, garage and so on.



Product Specifications

| | |
|--------------|-------------------|
| Product Name | LED Canopy light |
| Light Type | SZ-CNP180W-ACP |
| Dimension | 15.15*15.15*3.27" |

Technical Characteristic

| | |
|-------------------|---|
| Color temperature | Adjustable CCT:4000K/5000K/5700K |
| CRI | >80 |
| Lumen | 23400LM |
| Lumen Efficacy | 130LM/W |
| Input Power | Adjustable Power:120W/150W/180W |
| Viewing Angle | 120 Degree |
| Input Voltage | 120-277V 50/60Hz |
| Driver model | MOSO driver, (0-10Vdc Dimmer, Surge-protective 6KV) |
| PF | >0.9 |
| Waterproof Rating | IP65 |

Materials

| | |
|-----------------------|-----------------|
| LED Type | 2835 |
| LED QTY | 550PCS |
| Housing | Aluminum(ADC12) |
| Housing color | White |
| Cover | Frosted lens |
| Operating Temperature | -40°C TO 45°C |
| Operating Humidity | 10%-90% RH |
| Storage Temperature | -40°C TO 80°C |

Others

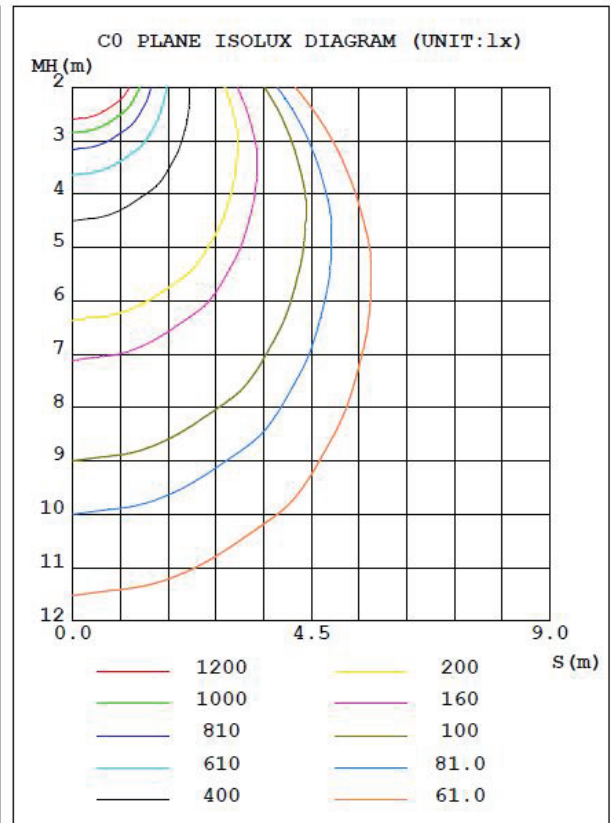
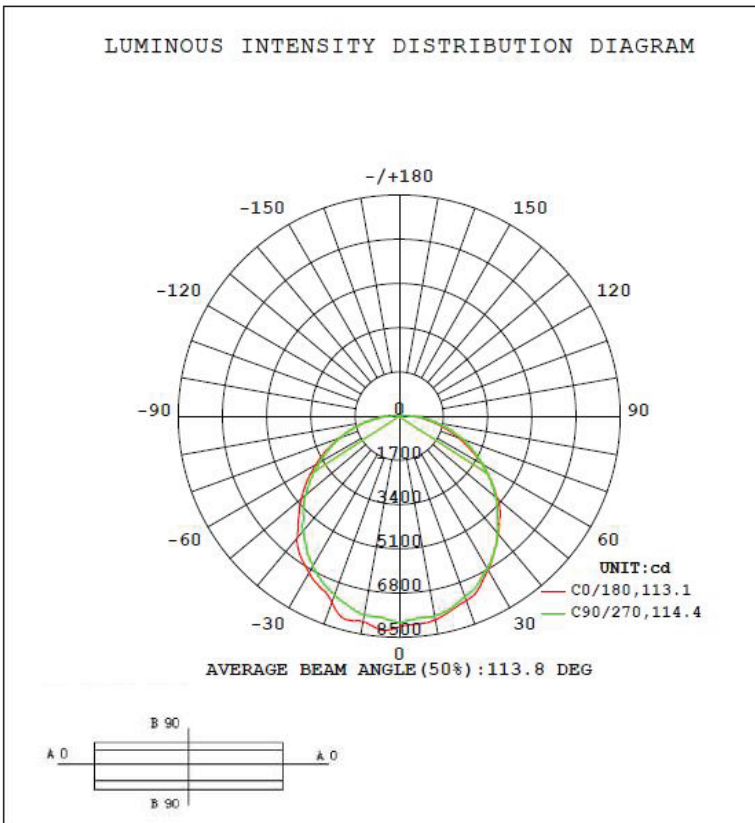
| | |
|----------------------|-----------|
| Storage Humidity | 10%-95% |
| Application | Outdoor |
| Safety Certification | ETL & DLC |
| Warranty Time | 5 Years |

Light Distribution Testing Parameters

LUMINAIRE PHOTOMETRIC TEST REPORT

| | | |
|---|-------------------|------------------|
| Test:U:120.43V I:1.5367A P:184.57W PF:0.9973 Freq:59.98Hz UTHDi:0.00% ITHDi:0.00% KDisp:0 Lamp Flux:24558.8x1 lm | | |
| NAME: SZ-CNP180W-ACP | TYPE: | WEIGHT: |
| SPEC.: | DIM.: | SERIAL No.: |
| MFR.: EVERFINE | SUR.: 0.224*0.224 | Shielding Angle: |

| DATA OF LAMP | | PHOTOMETRIC DATA | | | |
|-------------------|----------------|------------------|--------|--------------------------|-----------|
| Model: | SZ-CNP180W-ACP | Imax (cd) | 8248 | S/MH (C0/180) | 1.28 |
| NOMINAL POWER (W) | 180 | LOR (%) | 100.0 | S/MH (C90/270) | 1.25 |
| RATED VOLTAGE (V) | 120 | TOTAL FLUX (lm) | 24559 | η UP, DN (C0-180) | 1.0, 49.6 |
| NOMINAL FLUX (lm) | 24558.8 | CIE CLASS | DIRECT | η UP, DN (C180-360) | 0.9, 48.5 |
| LAMPS INSIDE | 1 | η up (%) | 1.9 | CIBSE SHR NOM | 1.25 |
| TEST VOLTAGE (V) | 120 | η down (%) | 98.1 | CIBSE SHR MAX | 1.35 |

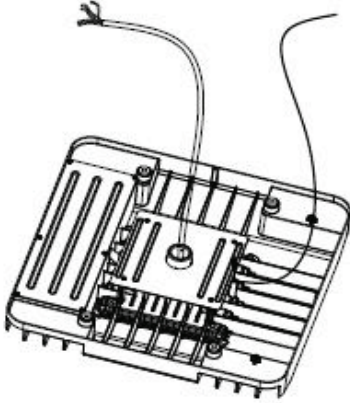


Package

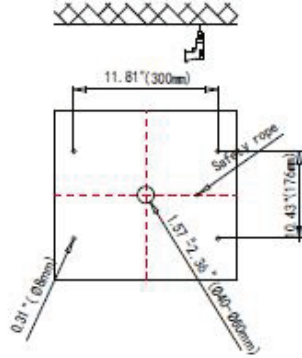
| Model | Net Weight | Size | Qty/Carton | Weight/Carton |
|----------------|------------|-------------------|------------|---------------|
| SZ-CNP180W-ACP | 3.7KG | 16.54*16.73*4.33" | 1 | 4.35KG |

Installation Instruction
Installation method I : Ceiling Installation

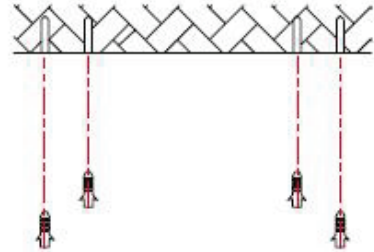
1. Fix the safety rope on the back of fixture by supplied screw PWM4*8.



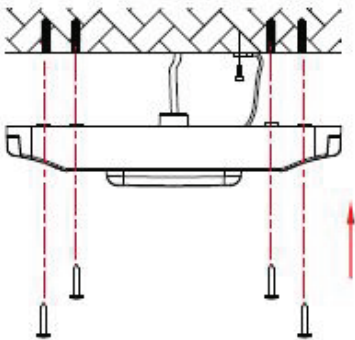
2. Drill 5 holes on the ceiling based on the diameter of supplied plastic anchor as picture, to make them match the holes on the fixture.



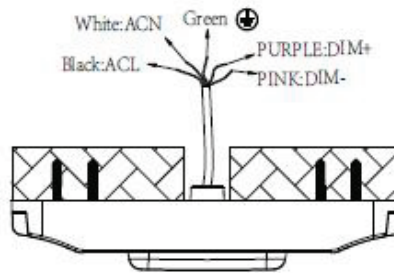
3. Screw the anchors to holes on ceiling respectively.



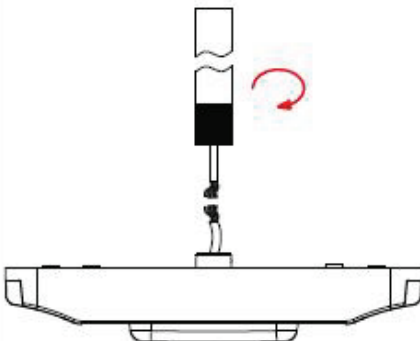
4. Screw the safety rope. And fix the fixture to the ceiling with tapping screws.



5. Connecting the wires respectively:
 Black-L, White-N, Green-earth,
 PURPLE: DIM+, PINK: DIM-


Installation method II: Pole-pendent Installation

1. Connecting wires from fixture and 3/4" NPT thread with terminal caps as picture



2. Rotating the 3/4" NPT thread to make it fixed with lamp, and fix the NPT with supplied screw.

