

LED Canopy Light

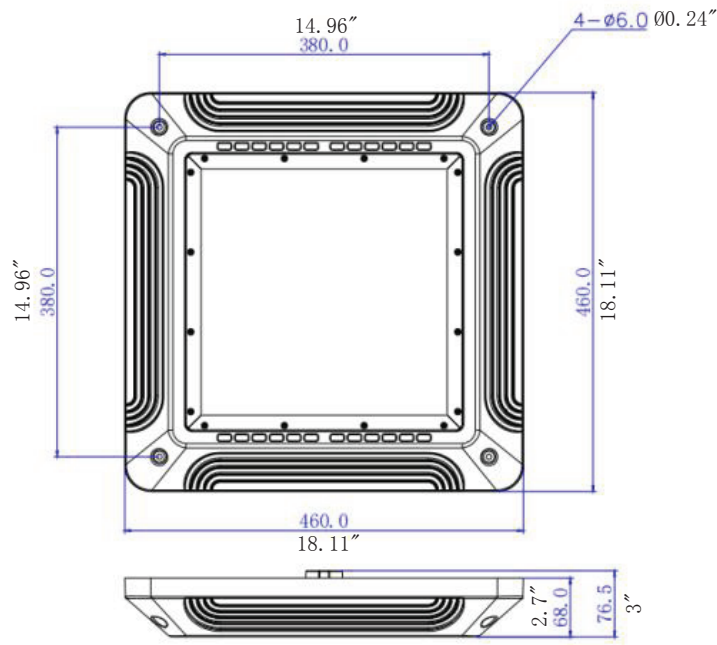
Advantage:

- 3030 Chip, high CRI
- Input voltage 120-277VAC
- No UV or IR in the beam
- Easy to install and operate
- Energy saving, long lifespan
- Light is soft and uniform, safe to eyes
- Instant start, NO flickering, NO humming
- Green and eco-friendly without mercury.



Application:

Widely used in underground garage and so on.



Product Specifications

Product Name	LED Canopy light
Light Type	SZ-CNP240W-CCT
Dimension	18.11*18.11*3"

Technical Characteristic

Color temperature	Adjustable CCT :5000K/5700K/6500K
CRI	>80
Lumen	33600LM
Lumen Efficacy	140LM/W
Input Power	240W
Viewing Angle	110 Degree
Input Voltage	120-277V 50/60Hz
Driver model	SOSEN driver, (0-10Vdc Dimmer, , Surge-protective 6KV)
PF	>0.9
Waterproof Rating	IP65

Materials

LED Type	3030
LED QTY	480PCS
Housing	Aluminum(ADC12)
Housing color	White
Cover	Glass
Operating Temperature	-40°C TO 45°C
Operating Humidity	10%-90% RH
Storage Temperature	-40°C TO 80°C

Others

Storage Humidity	10%-95%
Application	Outdoor
Warranty Time	5 Years

Light Distribution Testing Parameters

Luminaire Property

Luminaire Manufacturer:
 Voltage: 120.0 V Power:
 240.6W

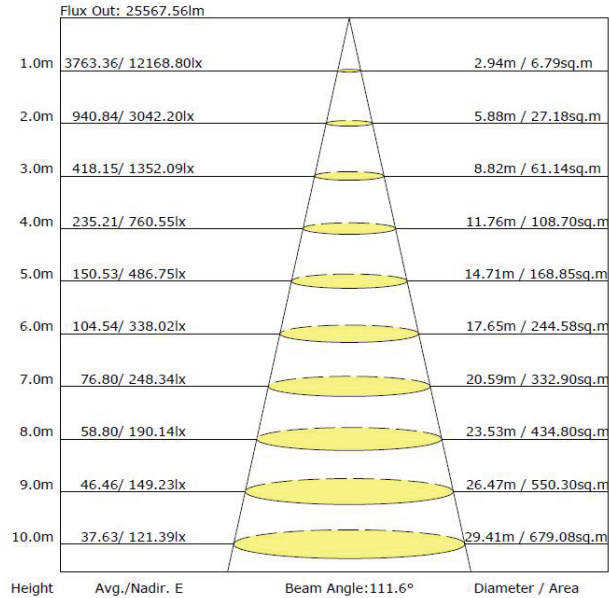
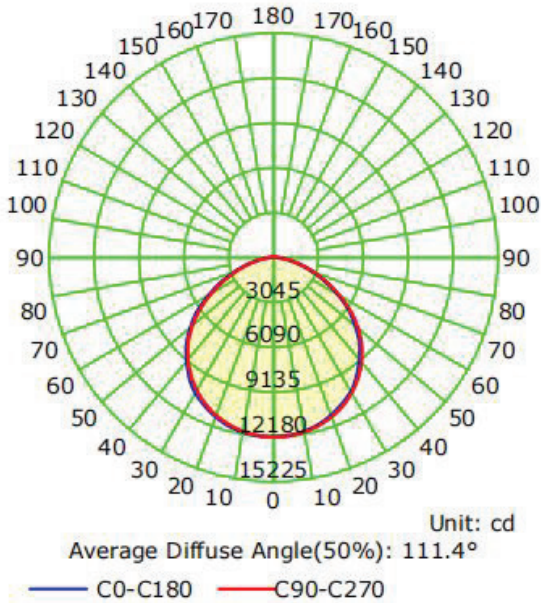
Current: 2.011 A
 Power Factor: 0.998

Photometric Results

IES Classification: Type II
 Total Rated Lamp Lumens: 34420.2 lm
 Efficiency: 100%
 Upward Ratio: 1%
 Central Intensity: 12158.1 cd
 Pos of Max. Intensity: H157.5 V2

Longitudinal Classification: Very Short
 Measurement Flux: 34448.5 lm
 Downward Ratio: 99%
 Luminaire Efficacy Rating (LER): 143.1
 Max. Intensity: 12180.15 cd

Luminous Intensity Distribution Curve



Package

Model	Net Weight	Size	Qty/Carton	Weight/Carton
SZ-CNP240W-CCT	5KG	20.87*20.87*6.1"	1	6KG