

LED Canopy Light

SZ-CNP240WJ-ACP

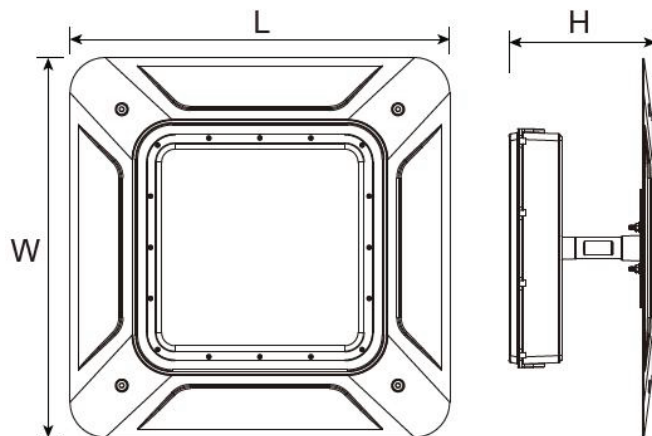
Advantage:

- UL & DLC certificate
- 2835 Chip, high CRI
- Adjustable CCT and Power
- Input voltage 120-277VAC
- No UV or IR in the beam
- Easy to install and operate
- Energy saving, long lifespan
- Light is soft and uniform, safe to eyes
- Instant start, NO flickering, NO humming
- Green and eco-friendly without mercury.



Application:

Widely used in gas station, service station, underground parking lot, garage and so on.



550 x 550 x 213mm / 21.65" x 21.65" x 8.39"

Product Specifications

Product Name	LED Canopy light
Light Type	SZ-CNP240WJ-ACP
Dimension	550*550*213 mm

Technical Characteristic

Color temperature	Adjustable CCT:4000K/5000K/5700K/6500K
CRI	>80
Lumen	33600LM
Lumen Efficacy	140LM/W
Input Power	Adjustable Power:150W/180W/200W/240W
Viewing Angle	120 Degree
Input Voltage	120-277V 50/60Hz
Driver model	China Brand driver, (0-10Vdc Dimmer)
PF	>0.9
Waterproof Rating	IP65

Materials

LED Type	2835
LED QTY	520PCS
Housing	Aluminum(ADC12)
Housing color	White
Cover	Clear lens
Operating Temperature	-40°C TO 45°C
Operating Humidity	10%-90% RH
Storage Temperature	-40°C TO 80°C

Others

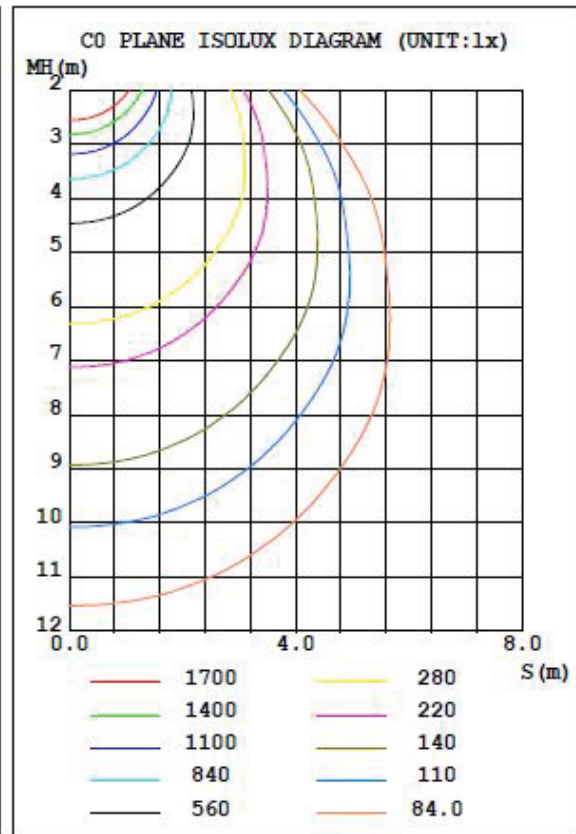
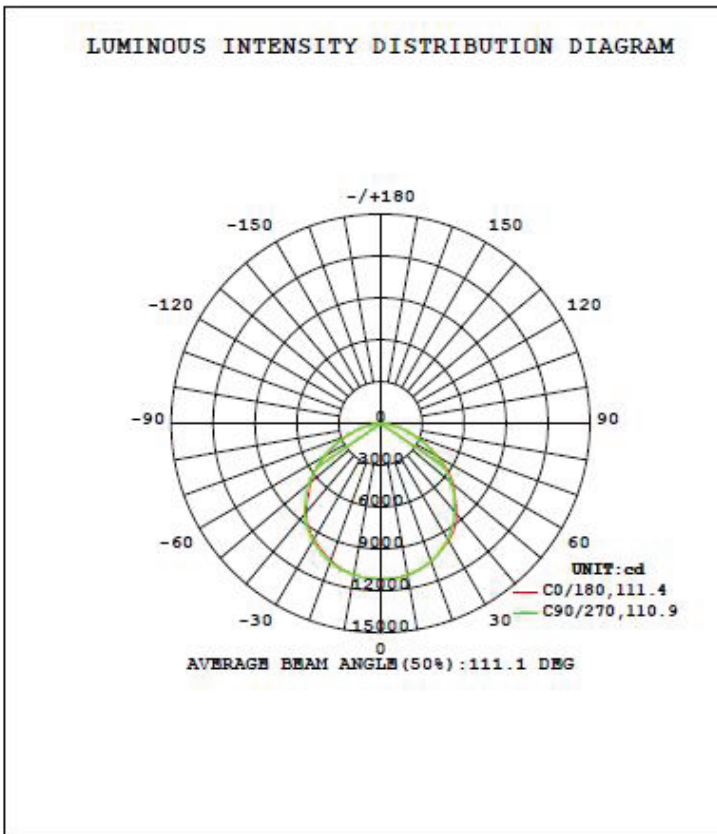
Storage Humidity	10%-95%
Application	Outdoor
Safety Certification	UL & DLC
Warranty Time	5 Years

Light Distribution Testing Parameters

LUMINAIRE PHOTOMETRIC TEST REPORT

Test:U:120.07V I:1.7923A P:214.81W PF:0.9982 Freq:60.00Hz Lamp Flux:31310.1lx1 lm		
NAME: SZ-CNP240WJ-ACP	TYPE:	WEIGHT:
SPEC.:	DIM.:	SERIAL No.:1#
MFR.:	SUR.:	Shielding Angle:

DATA OF LAMP		PHOTOMETRIC DATA Eff: 145.76 lm/W			
Model:	SZ-CNP240WJ-ACP	I _{max} (cd)	11174	S/MH (C0/180)	1.28
NOMINAL POWER (W)	240	LOR (%)	100.0	S/MH (C90/270)	1.29
RATED VOLTAGE (V)	120	TOTAL FLUX (lm)	31310	η UP, DN (C0-180)	0.1, 49.6
NOMINAL FLUX (lm)	31310.1	CIE CLASS	DIRECT	η UP, DN (C180-360)	0.1, 50.2
LAMPS INSIDE	1	η up (%)	0.2	CIBSE SHR NOM	1.25
TEST VOLTAGE (V)	120	η down (%)	99.8	CIBSE SHR MAX	1.35

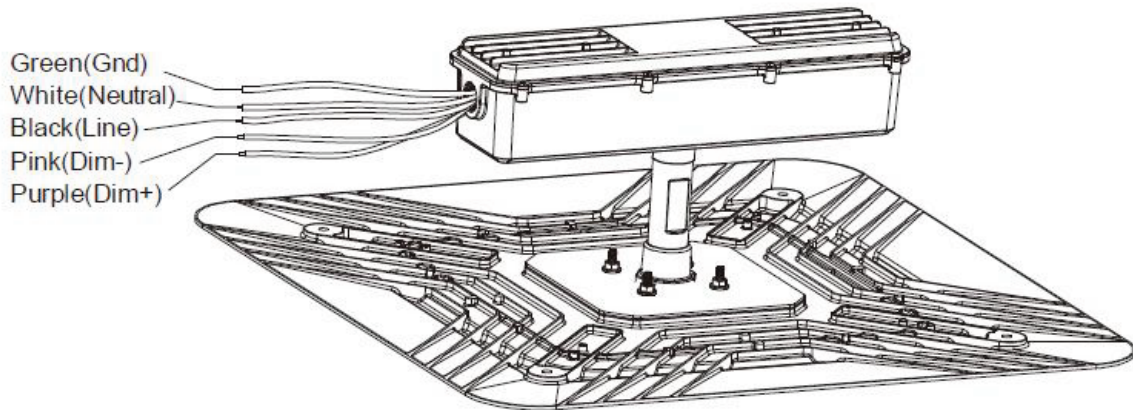


Package

Model	Net Weight	Size	Qty/Carton	Weight/Carton
SZ-CNP240WJ-ACP	5.1KG	750*590*200MM	2	11.4KG

Installation Instruction

Wiring Diagram



1. Screw the screw rod and screw into the heatsink. Fig.1
2. Cut a 4-inch hole in the ceiling. Fig.2
3. Fix the lamp to the ceiling with self - tapping and self - drilling screws. Fig.3
4. Reinforce the lamp again inside the ceiling with a bracket. Fig.4
- Sealant should be applied around the fixing plate for waterproofing. Fig.4
5. Install the power box onto the screw rod, Insert the DC cable into the corresponding terminal hole. Fig.5

