

Features :

- A flexible downlight solution supports surface mounting and retrofit installation ..
- ETL & ES certified.
- High quality Iron shell with frosted PC diffuser.
- Continuous dimming from 100% to 5% with many Triac Dimmers.
- 5CCT selectable version optional
- High efficiency LM80 SMD LEDs.
- Provide true color rendering with 90+ CRI.

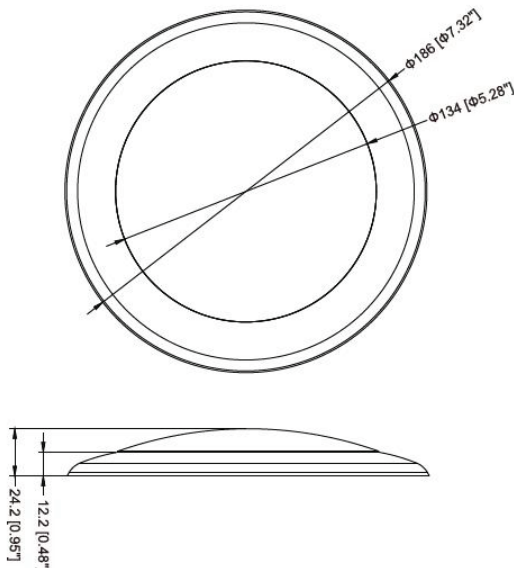


Application:

- ◆ Residential.
- ◆ Property management.
- ◆ Office, Multi-family.
- ◆ Hospitality, Healthcare etc..



Product Dimension:



Specifications

LED Ceiling Light

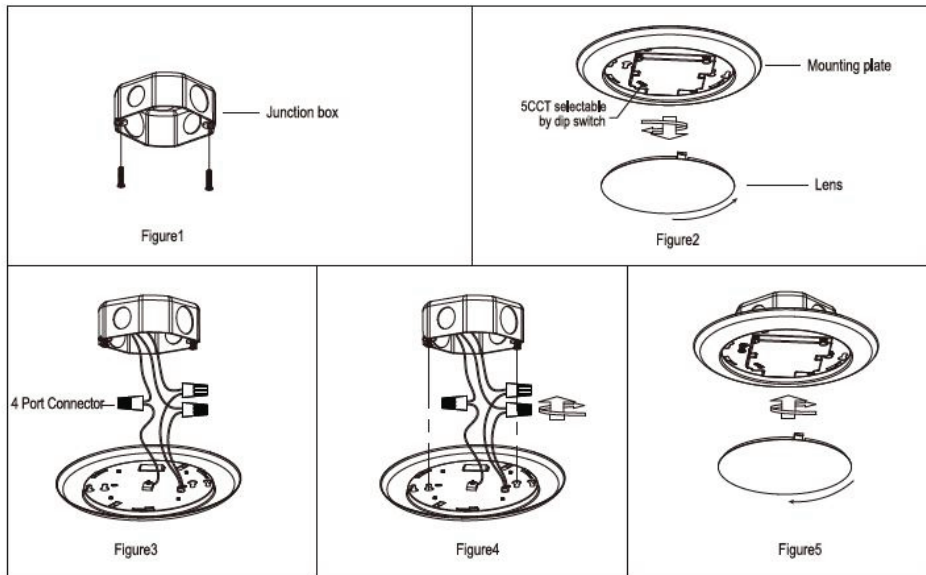
Model:	SZ-DL15W6-CL-CCT
Wattage:	15W
Size:	6 inch
CCT Selectable:	2700K/3000K/3500K/4000K/5000K
CRI:	90
Beam Angle:	120°
Lumens:	>1125LM
PF:	>0.9
Driver:	120V 50/60Hz Triac dimming
Certification:	ETL & ES
Warranty:	5 years

Package

Size	Qty/Carton	Gross Weight
18.62*8.14*15.71"	24	7.5Kg

Installation instructions

For J-BOX



For Can Installation

