



## LED Canopy Light

### Advantage:

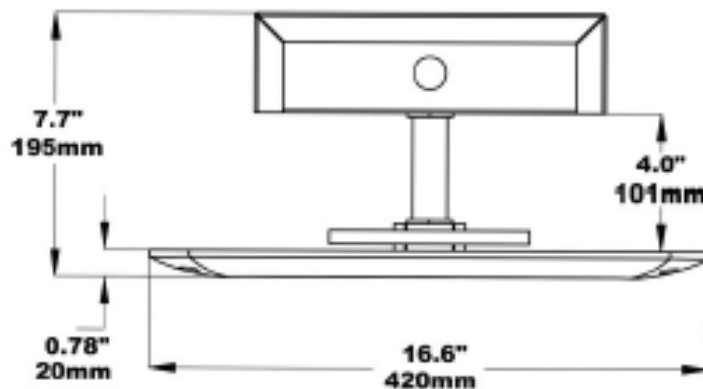
SZ-CNP150WSAEW-5000K (J)

- UL & DLC certificate
- 3030 Philips Chip, high CRI
- IP65 MeanWell Driver
- Input voltage 120-277VAC
- No UV or IR in the beam
- Easy to install and operate
- Energy saving, long lifespan
- Light is soft and uniform, safe to eyes
- Instant start, NO flickering, NO humming
- Green and eco-friendly without mercury.



### Application:

Widely used in gas station, service station, underground parking lot, garage and so on.



## Product Specifications

Product Name	LED Canopy light
Light Type	SZ-CNP150WSAEW-5000K (J)
Dimension	16.6*16.6*7.7"

## Technical Characteristic

Color temperature	5000K
CRI	>80
Lumen	21000LM
Lumen Efficacy	140LM/W
Input Power	150W
Viewing Angle	120 Degree
Input Voltage	120-277V 50/60Hz
Driver model	MeanWell driver, (0-10Vdc Dimmer, Surge-protective 6KV)
PF	>0.9
Waterproof Rating	IP65

## Materials

LED Type	Philips 3030
LED QTY	180PCS
Housing	Aluminum(ADC12)
Housing color	White
Cover	Glass
Operating Temperature	-40°C TO 45°C
Operating Humidity	10%-90% RH
Storage Temperature	-40°C TO 80°C

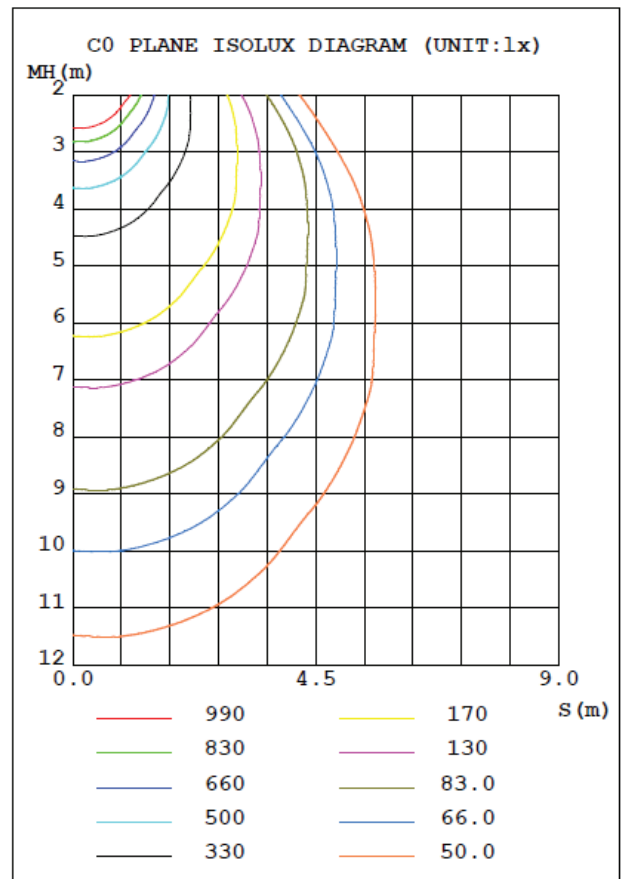
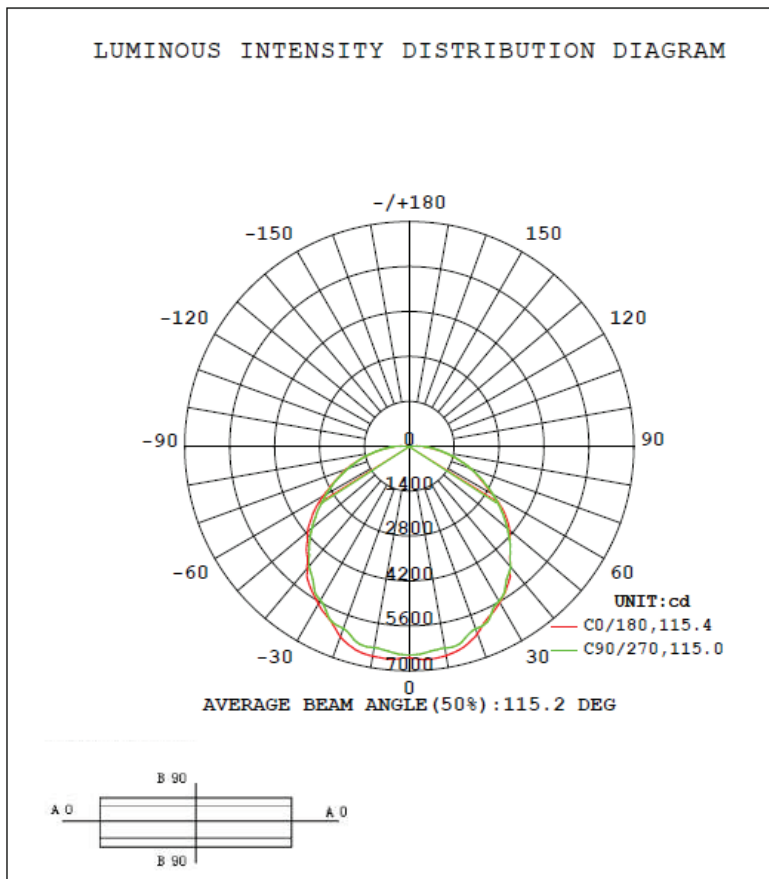
## Others

Storage Humidity	10%-95%
Application	Outdoor
Safety Certification	UL & DLC
Warranty Time	5 Years

## Light Distribution Testing Parameters

Test:U:120.2V I:1.24A P:149.66W PF:0.9974 Freq:59.98Hz UTHDi:0.00% ITHDi:0.00% KDisp:0 Lamp Flux:20508.4x1 lm		
NAME: SZ-CNP150WSAEW-5000K(J)	TYPE:	WEIGHT:
SPEC.:	DIM.:	SERIAL No.:
MFR.: EVERFINE	SUR.: 0.168*0.168	Shielding Angle:

DATA OF LAMP		PHOTOMETRIC DATA Eff: 137.04 lm/W			
Model	SZ-CNP150WSAEW-5000K(J)	I <sub>max</sub> (cd)	6667	S/MH(C0/180)	1.28
NOMINAL POWER (W)	150	LOR (%)	100.0	S/MH(C90/270)	1.28
RATED VOLTAGE (V)	120	TOTAL FLUX (lm)	20508	η UP, DN(C0-180)	1.1, 48.9
NOMINAL FLUX (lm)	20508.4	CIE CLASS	DIRECT	η UP, DN(C180-360)	1.1, 48.9
LAMPS INSIDE	1	η up (%)	2.2	CIBSE SHR NOM	1.25
TEST VOLTAGE (V)	120	η down (%)	97.8	CIBSE SHR MAX	1.35



## Package

Model	Net Weight	Size	Qty/Carton	Weight/Carton
SZ-CNP150WSAEW-5000K (J)	7.6KG	18.31*21.85*4.92"	1	6.6KG