



LED Barn Light

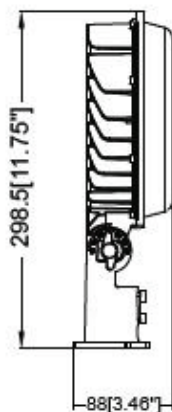
Model : SS-BL02-100/80/60W-H-TCP

Advantage:

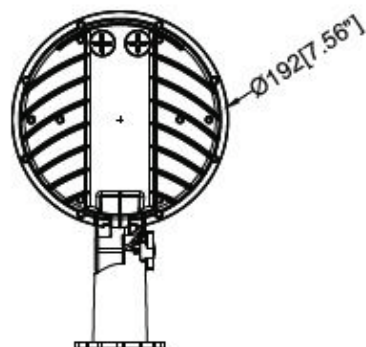
- UL & DLC certificate;
- IP65 Internal driver;
- Adjustable CCT and Power;
- Input voltage 120-277VAC;
- No UV or IR in the beam;
- Easy to install and operate;
- Energy saving, long lifespan;
- Light is soft and uniform, safe to eyes;
- Instant start, NO flickering, NO humming;
- Green and eco-friendly without mercury.

Application:

Barn, Garage, Front Door, Swimming Pool, etc.



100/80/60W





Specifications

Product name	LED Barn Light
Part No	SS-BL02-100/80/60W-H-TCP
Dimension	11.75*7.56*3.46"

Technical Characteristic

Color temperature	Adjustable CCT:3500K/4000K/5000K
CRI	>70
Lumen	12000LM
Lumen Efficacy	120LM/W
Input Power	Adjustable Power:60W/80W/100W
Viewing Angle	120° Degree
Input Voltage	120-277VAC 50/60Hz
Driver model	China Brand Driver,0-10V dimmer
Photocell	Yes
Sensor Base	With Motion Sensor Base
PF	>0.9
Waterproof Rating	IP65

Materials

LED Type	2835
LED QTY	224PCS
Housing	Aluminum(ADC12) +PC
Housing color	Brown

Others

Operating Temperature	-20°C TO 45°C
Operating Humidity	20%-90% RH
Storage Temperature	-30°C TO 80°C
Storage Humidity	10%-95%
Application	Outdoor / Indoor
Safety Certification	UL & DLC
Warranty Time	5 Years

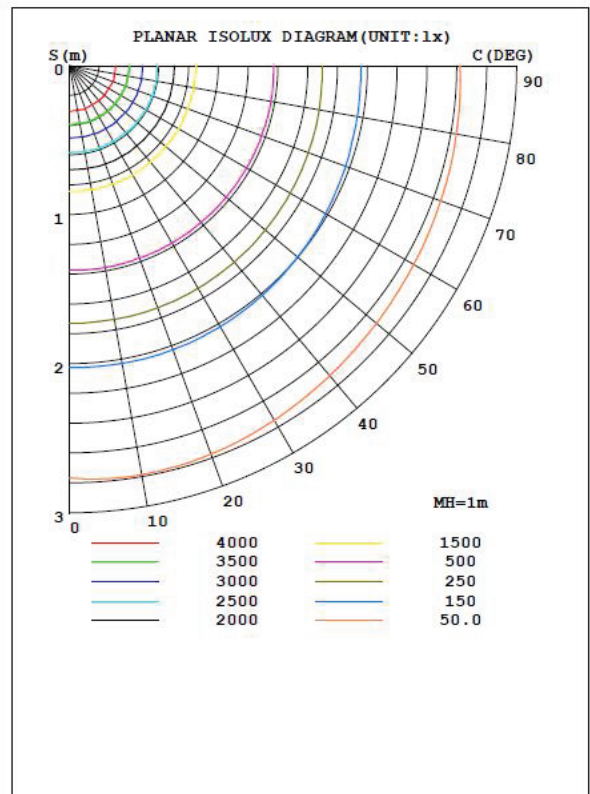
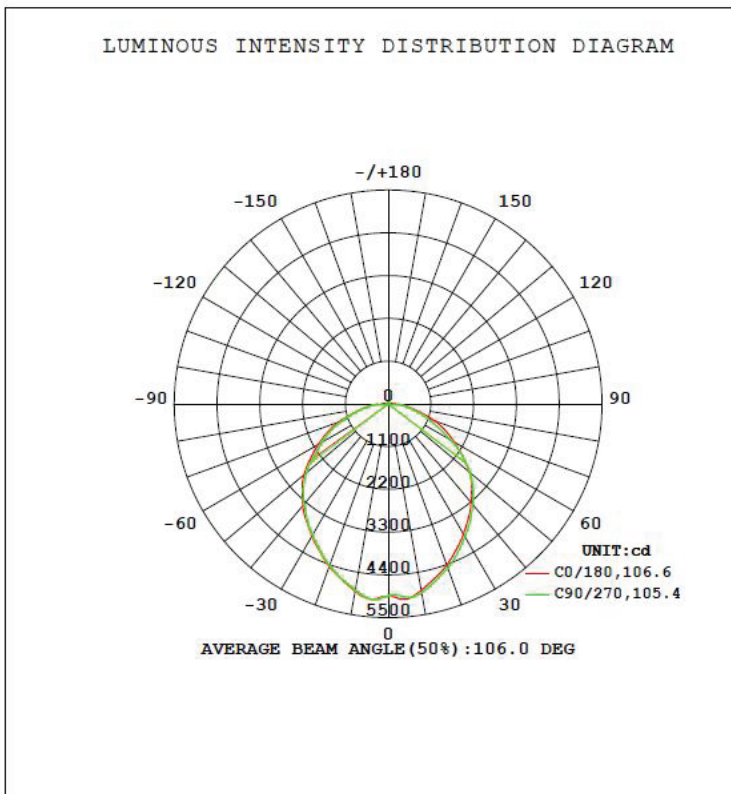


Light Distribution Testing Parameters

LUMINAIRE PHOTOMETRIC TEST REPORT

Test:U:120.01V I:0.7804A P:93.318W PF:0.9963 Freq:60.01Hz UTHDi:0.44% ITHDi:4.68% KDisp:0.0000 Lamp Flux:13785.2x1 lm		
NAME: SS-BL02-100/80/60W	TYPE: SS-BL02-100W	WEIGHT:
SPEC.: 120-277V	DIM.: 0.192	SERIAL No.:
MFR.:	SUR.: 0.192	Shielding Angle:

DATA OF LAMP		PHOTOMETRIC DATA			
MODEL	SS-BL02-100W	Imax (cd)	5046	S/MH (C0/180)	1.19
NOMINAL POWER (W)	100	LOR (%)	100.0	S/MH (C90/270)	1.18
RATED VOLTAGE (V)	120	TOTAL FLUX (lm)	13785	η UP, DN (C0-180)	1.3, 48.2
NOMINAL FLUX (lm)	13785.2	CIE CLASS	DIRECT	η UP, DN (C180-360)	1.6, 49.0
LAMPS INSIDE	1	η up (%)	2.8	CIBSE SHR NOM	1.25
TEST VOLTAGE (V)	120	η down (%)	97.2	CIBSE SHR MAX	1.35



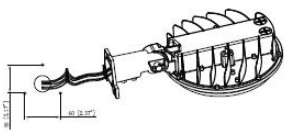
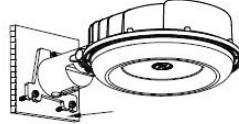
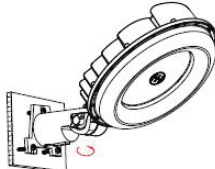
Package

Model	Size	Qty/ Carton	Weight/ Carton
SS-BL02-100/80/60W-H-TCP	16.54*11.65*16.54"	10	15.1KG

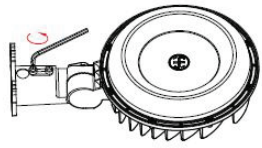
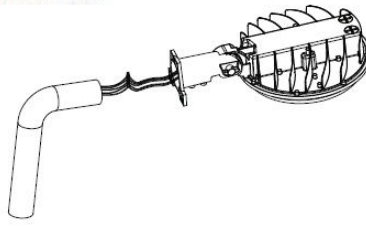
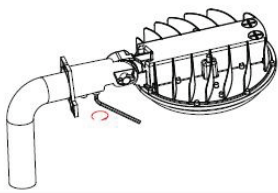
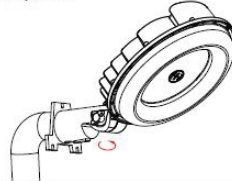


Installation

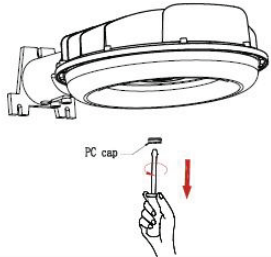
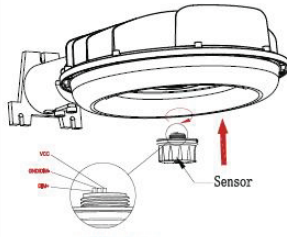
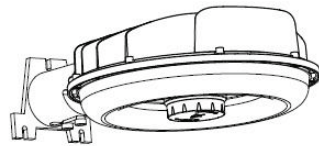
Wall mounting

<p>1. Drill holes in the walls and wire them.</p> 	<p>2. Lock the barn lights</p> 	<p>3. Loosen the hand screw, adjust the lamp to the Angle required by the customer, and tighten the hand screw, the installation is complete.</p> 
---	--	---


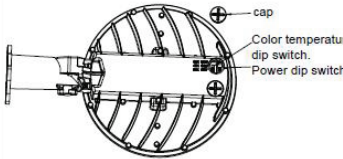
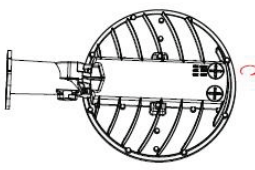
Pole mounting

<p>1. Loosen the screws.</p> 	<p>2. Connect the wire.</p> 
<p>3. Install the lamp into the lamp pole and tighten the fixing screws.</p> 	<p>4. Loosen the hand screw, adjust the lamp to the Angle required by the customer, and tighten the hand screw, the installation is complete.</p> 

Plug sensor installation

<p>1. Unscrew the PC cap on the lampshade counter-clockwise with a flat-head screwdriver on the lamp which already installed.</p> 	<p>2. Screw the sensor clockwise by hands.</p>  <p>SCALE: 3:1</p>	<p>3. After tighten the sensor, Lighting the lamp, if the sensor works well, the installation finish.</p> 
---	--	--

Function of CCT and power Selective

<p>1. Before installation, unscrew the M25 cap counter-clockwise at the back of the lamp by slot type screwdriver.</p> 	<p>2. According to the tags, customer can select the corresponding power and CCT dip switch, dial to the required power (60w/80w/100w) and CCT (35K/40K/50K).</p>  <p>cap Color temperature dip switch Power dip switch</p>	<p>3. After finish the requires power and CCT adjustment, Tighten the M25 cap clockwise by slot type screwdriver.</p> 
--	--	--