



LED Bullet Flood Light

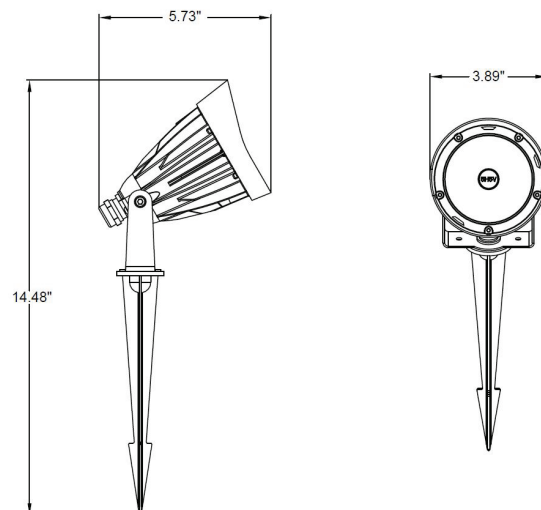
Model : SZ-BFL25WP-CCT

Advantage:

- IP65 Internal driver;
- Adjustable CCT ;
- Input voltage:DC12V or 120-277VAC;
- No UV or IR in the beam;
- Easy to install and operate;
- Energy saving, long lifespan;
- Light is soft and uniform, safe to eyes;
- Instant start,NO flickering,NO humming;
- Green and eco-friendly without mercury.

Application:

Underground parking place, garage, park;
Supermarkets, tennis court, badminton court;
The football field, etc.



Specifications

Product name	LED Bullet Flood Light
Part No	SZ-BFL25WP-CCT
Dimension	5.73*3.89*14.49"

Technical Characteristic

Color temperature	Adjustable CCT:2700K/3000K/4000K
CRI	>80
Lumen	3000LM
Lumen Efficacy	120LM/W
Input Power	25W
Viewing Angle	40° Degree
Input Voltage	DC12V or 120-277VAC 50/60Hz
Driver model	China Brand Driver, 0-10V dimmer
PF	>0.9
Waterproof Rating	IP65

Materials

LED Type	2835
LED QTY	80PCS
Housing	Aluminum(ADC12) + PC
Housing color	Brown

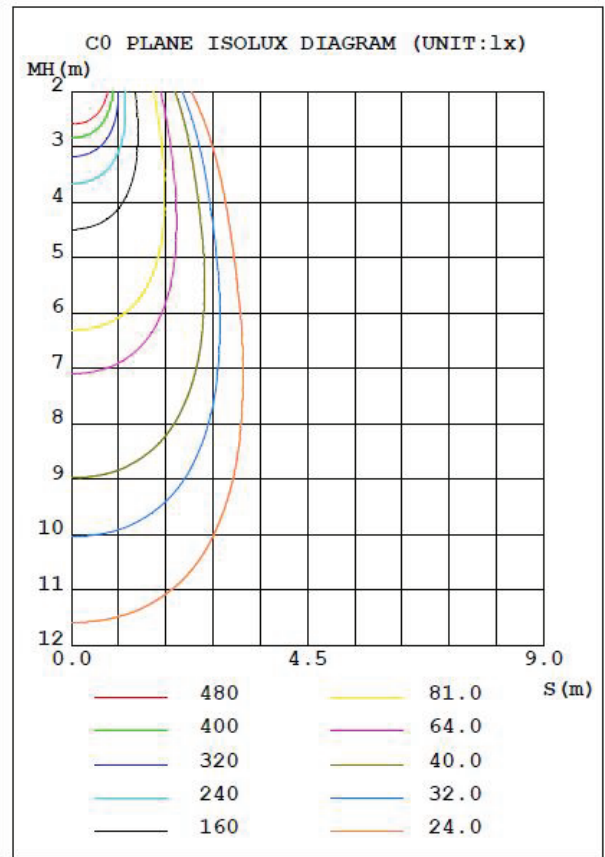
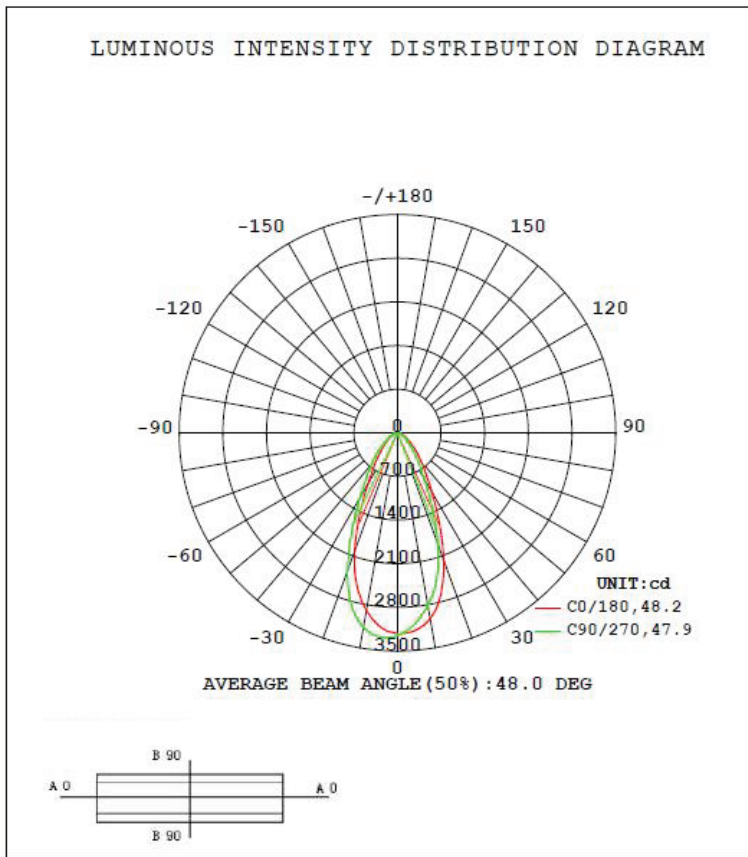
Others

Operating Temperature	-20°C TO 45°C
Operating Humidity	20%-90% RH
Storage Temperature	-30°C TO 80°C
Storage Humidity	10%-95%
Application	Outdoor
Warranty Time	5 Years



Light Distribution Testing Parameters

DATA OF LAMP		PHOTOMETRIC DATA Eff: 120.21 lm/W			
Model	SZ-BFL25WP-CCT	I _{max} (cd)	3298	S/MH (C0/180)	0.75
NOMINAL POWER (W)	25	LOR (%)	102.2	S/MH (C90/270)	0.81
RATED VOLTAGE (V)	120	TOTAL FLUX (lm)	2848.7	η UP, DN (C0-180)	0.6, 44.4
NOMINAL FLUX (lm)	2787.28	CIE CLASS	DIRECT	η UP, DN (C180-360)	0.6, 56.6
LAMPS INSIDE	1	η up (%)	1.2	CIBSE SHR NOM	0.75
TEST VOLTAGE (V)	120	η down (%)	101.0	CIBSE SHR MAX	0.75



Package

Lamps Net Weight: 0.5kg / pcs

Model	Size	Qty/ Carton	Weight/ Carton
SZ-BFL25WP-CCT	19.13*11.02*9.29"	15	10.2 KG