



LED Flood Light

Model : SZ-FL35W-HP-ACP

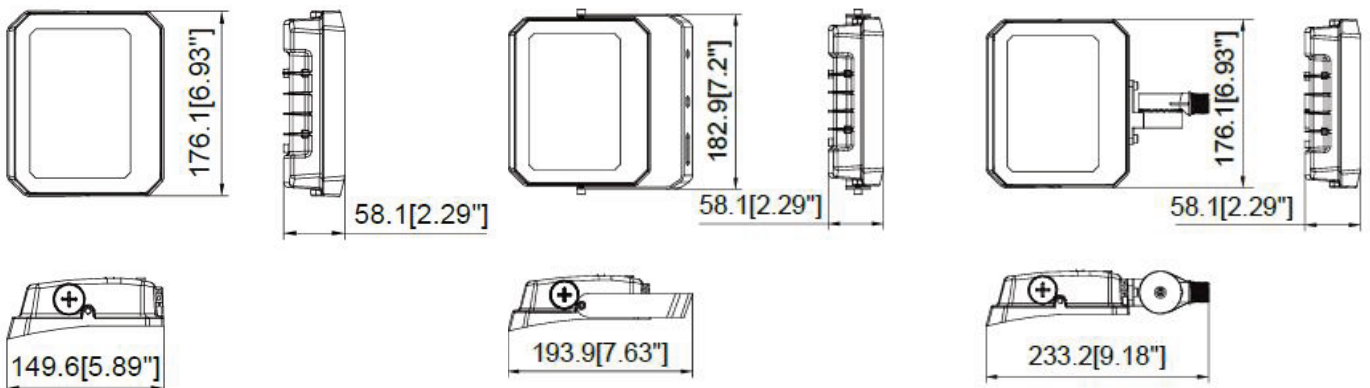
Advantage:

- UL & DLC certificate;
- IP65 Internal driver;
- Adjustable CCT and Power;
- Input voltage 120-277VAC;
- No UV or IR in the beam;
- Easy to install and operate;
- Energy saving, long lifespan;
- Light is soft and uniform, safe to eyes;
- Instant start, NO flickering, NO humming;
- Green and eco-friendly without mercury.



Application:

Factory floor, libraries, square, park;
Supermarkets, railway stations;
Advertising lighting, etc.





Specifications

Product name	LED Flood Light
Part No	SZ-FL35W-HP-ACP
Dimension	5.89*16.93*2.29"

Technical Characteristic

Color temperature	Adjustable CCT:3000K/4000K/5000K
CRI	>70
Lumen	4900LM
Lumen Efficacy	140LM/W
Input Power	Adjustable Power:15W/20W/35W
Viewing Angle	105° Degree
Input Voltage	120-277VAC 50/60Hz
Driver model	China Brand Driver,0-10V dimmer
Photocell	Yes
PF	>0.9
Waterproof Rating	IP65
Bracket	Tube and U shaped

Materials

LED Type	2835
LED QTY	112PCS
Housing	Aluminum(ADC12) +PC
Housing color	Brown

Others

Operating Temperature	-20°C TO 45°C
Operating Humidity	20%-90% RH
Storage Temperature	-30°C TO 80°C
Storage Humidity	10%-95%
Application	Outdoor / Indoor
Safety Certification	UL & DLC
Warranty Time	5 Years

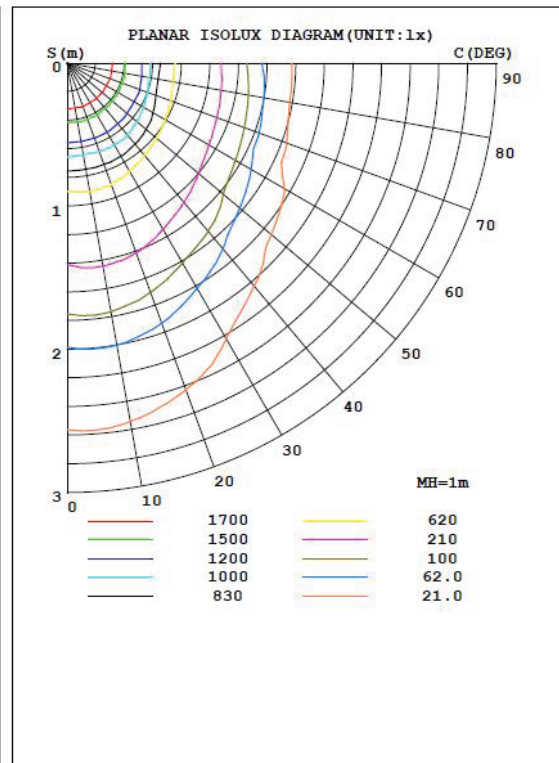
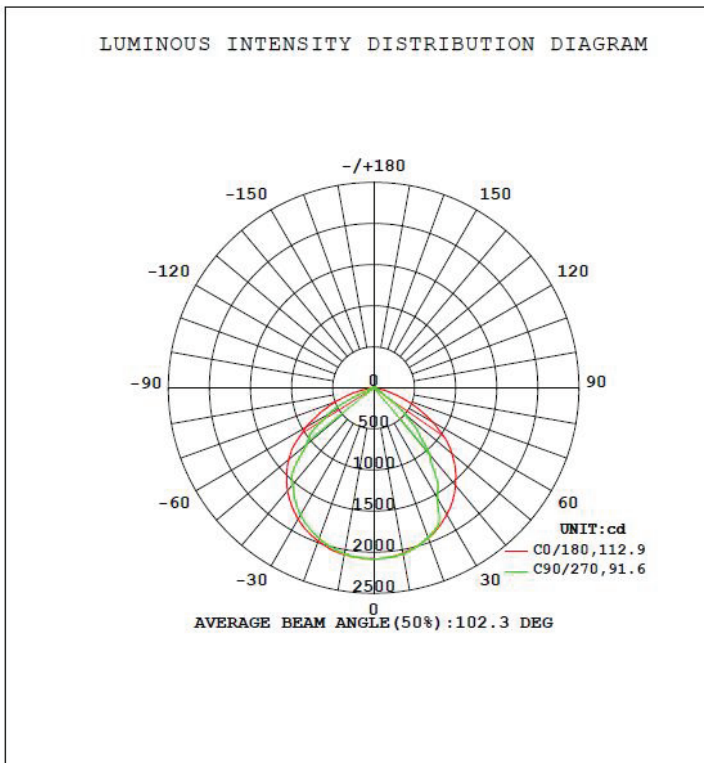


Light Distribution Testing Parameters

LUMINAIRE PHOTOMETRIC TEST REPORT

Test:U:120.00V I:0.2956A P:35.306W PF:0.9954 Freq:60.01Hz UTHDi:0.29% ITHDi:4.75% KDisp:1.000 Lamp Flux:4966.04x1 lm		
NAME: SZ-FL35W-HP-ACP	TYPE: SZ-FL35W-HP-ACP	WEIGHT:
SPEC.: 120~277V	DIM.: 0.13*0.18	SERIAL No.: 01
MFR.:	SUR.: 0.13*0.18	Shielding Angle:

DATA OF LAMP		PHOTOMETRIC DATA			
MODEL	SZ-FL35W-HP-ACP	Imax (cd)	2079	S/MH (C0/180)	1.32
NOMINAL POWER (W)	35	LOR (%)	100.0	S/MH (C90/270)	1.27
RATED VOLTAGE (V)	120	TOTAL FLUX (lm)	4966.0	η UP, DN (C0-180)	1.1, 44.0
NOMINAL FLUX (lm)	4966.04	CIE CLASS	DIRECT	η UP, DN (C180-360)	1.0, 53.8
LAMPS INSIDE	1	η up (%)	2.1	CIBSE SHR NOM	1.25
TEST VOLTAGE (V)	120	η down (%)	97.9	CIBSE SHR MAX	1.35



Package

Model	Size	Qty/ Carton	Weight/ Carton
SZ-FL35W-HP-ACP U	16.14*11.26*8.46"	8	11.1KG
SZ-FL35W-HP-ACP T	14.72*11.26*10.43"	8	10.7KG