



**LED Flood Light**

Model : SZ-FL80W-HP-ACP

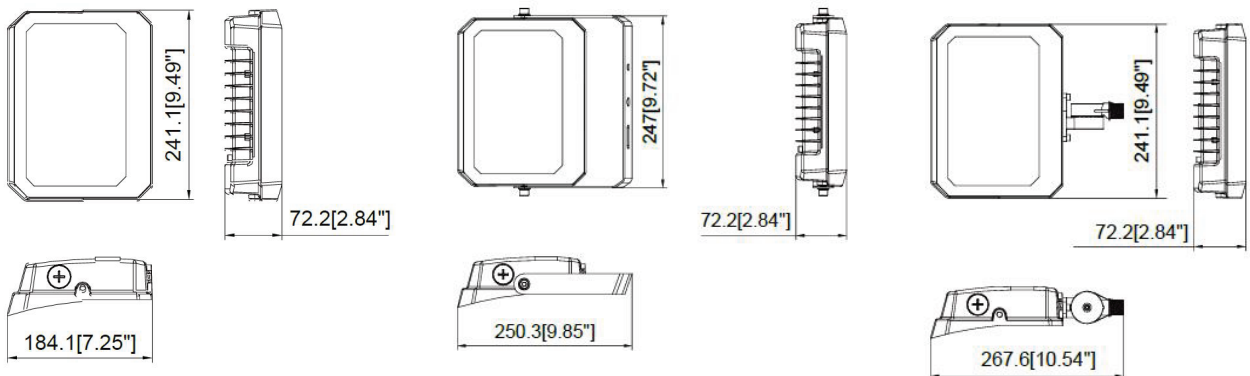
**Advantage:**

- UL & DLC certificate;
- IP65 Internal driver;
- Adjustable CCT and Power;
- Input voltage 120-277VAC;
- No UV or IR in the beam;
- Easy to install and operate;
- Energy saving, long lifespan;
- Light is soft and uniform, safe to eyes;
- Instant start, NO flickering, NO humming;
- Green and eco-friendly without mercury.



**Application:**

Factory floor, libraries, square, park;  
Supermarkets, railway stations;  
Advertising lighting, etc.





## Specifications

Product name	LED Flood Light
Part No	SZ-FL80W-HP-ACP
Dimension	7.25*9.49*2.84"

## Technical Characteristic

Color temperature	Adjustable CCT:3000K/4000K/5000K
CRI	>70
Lumen	11200LM
Lumen Efficacy	140LM/W
Input Power	Adjustable Power:35W/60W/80W
Viewing Angle	105° Degree
Input Voltage	120-277VAC 50/60Hz
Driver model	China Brand Driver,0-10V dimmer
Photocell	Yes
PF	>0.9
Waterproof Rating	IP65
Bracket	Tube and U shaped

## Materials

LED Type	2835
LED QTY	286PCS
Housing	Aluminum(ADC12) +PC
Housing color	Brown

## Others

Operating Temperature	-20°C TO 45°C
Operating Humidity	20%-90% RH
Storage Temperature	-30°C TO 80°C
Storage Humidity	10%-95%
Application	Outdoor / Indoor
Safety Certification	UL & DLC
Warranty Time	5 Years

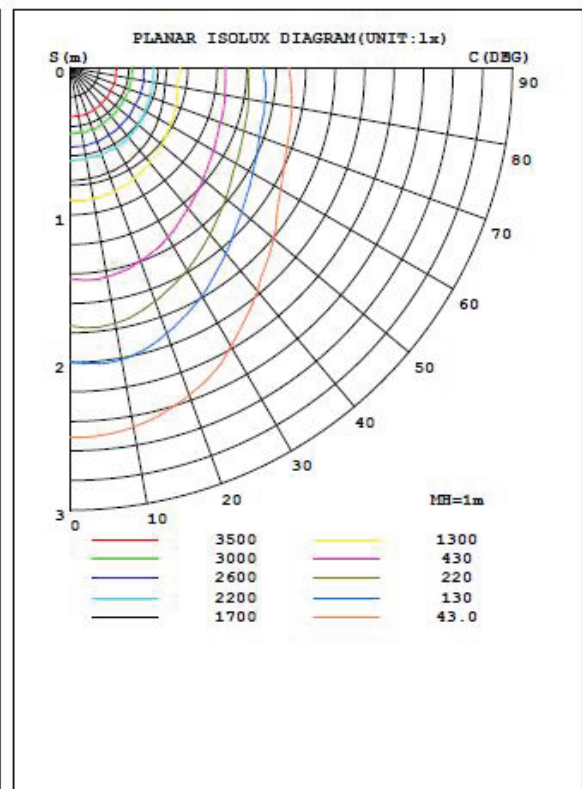
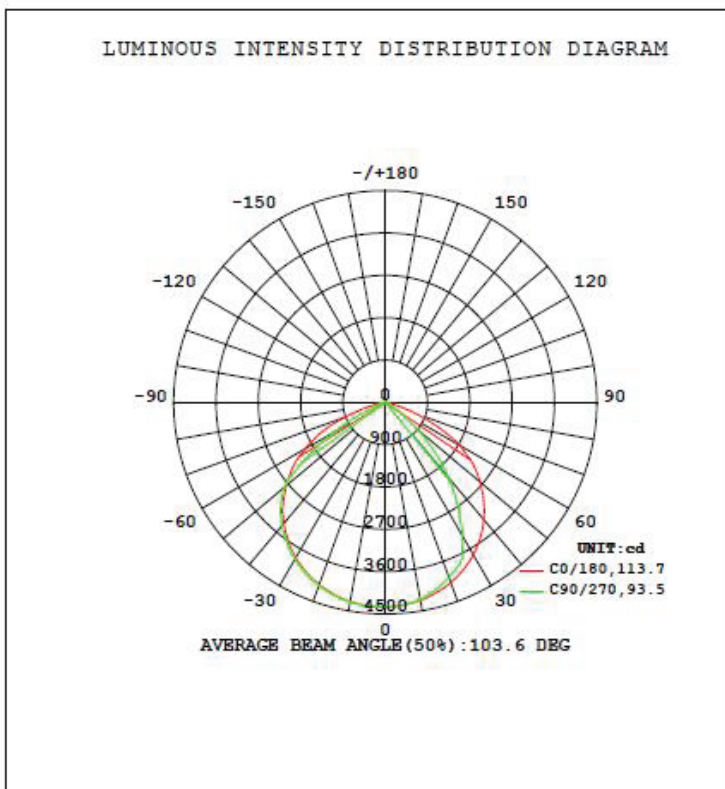


## Light Distribution Testing Parameters

### LUMINAIRE PHOTOMETRIC TEST REPORT

Test:U:119.92V I:0.6232A P:73.988W PF:0.9901 Freq:60.01Hz UTHDi:0.47% ITHDi:8.93% KDisp:1.000 Lamp Flux:10425x1 lm		
NAME: SZ-FL80W-HP-ACP	TYPE: SZ-FL80W-HP-ACP	WEIGHT:
SPEC.: 120~277V	DIM.: 0.24*0.185	SERIAL No.: 01
MFR.:	SUR.: 0.236*0.174	Shielding Angle:

DATA OF LAMP		PHOTOMETRIC DATA			
MODEL	SZ-FL80W-HP-ACP	I <sub>max</sub> (cd)	4355	S/MH (C0/180)	1.30
NOMINAL POWER (W)	80	LOR (%)	100.0	S/MH (C90/270)	1.32
RATED VOLTAGE (V)	120	TOTAL FLUX (lm)	10425	η UP, DN (C0-180)	1.1, 42.3
NOMINAL FLUX (lm)	10425	CIE CLASS	DIRECT	η UP, DN (C180-360)	1.0, 55.6
LAMPS INSIDE	1	η up (%)	2.1	CIBSE SHR NOM	1.25
TEST VOLTAGE (V)	120	η down (%)	97.9	CIBSE SHR MAX	1.35



## Package

Model	Size	Qty/ Carton	Weight/ Carton
SZ-FL80W-HP-ACP U	21.89*13.54*10.24"	8	16.8KG
SZ-FL80W-HP-ACP T	19.92*13.62*11.81"	8	15.4KG