

LED Linear Strip Fixture

SZ-LS40W-4FT-ACP

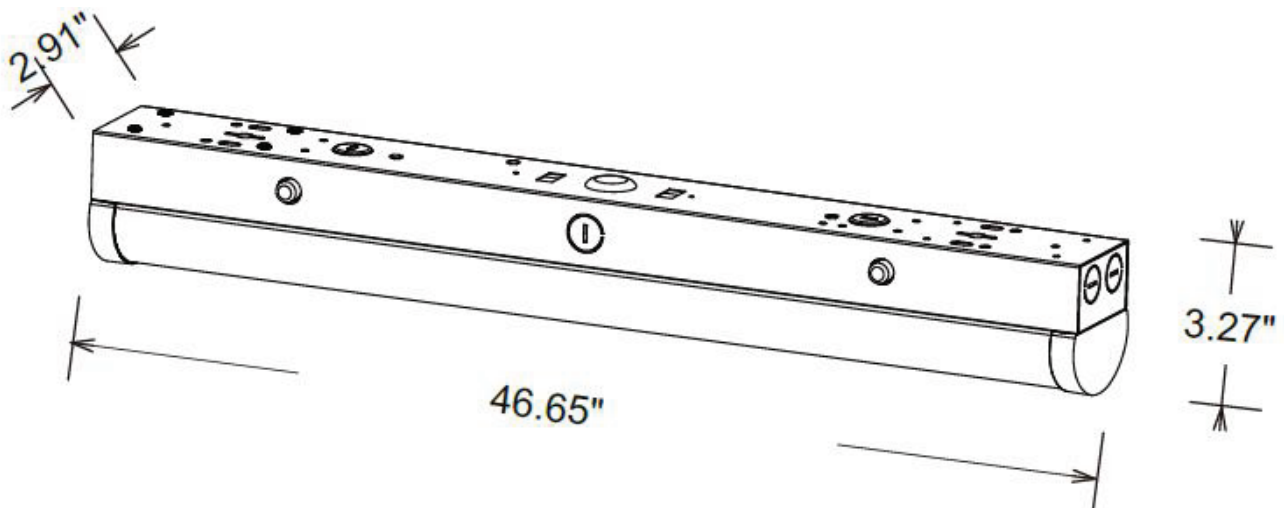
Advantage:

- UL & DLC certificate
- 2835 Chip, CRI 80
- Input voltage 120-277VAC
- Easy to install and operate
- Energy saving, long lifespan
- Adjustable CCT and power
- Green and eco-friendly without mercury.



Application:

Office, Supermarkets, Meeting rooms
School, Hospital, Warehouse.



Product Specifications

Product Name	LED Linear Strip Fixture
Light Type	SZ-LS40W-4FT-ACP
Dimension	46.65*2.91*3.27"

Technical Characteristic

Color temperature	Adjustable CCT:3500K/4000K/5000K
CRI	>80
Lumen Efficacy	140LM/W
Input Power	Adjustable Power:24W/32W/40W
Viewing Angle	120 Degree
Input Voltage	120-277V 50/60Hz
Driver model	China Brand driver, (0-10Vdc Dimmer)
PF	>0.9
Optional Accessory	Sensor:Motion sensor Emergency Driver:Max 8W, Recharge time:≧24Hrs, Discharge time :90minutes

Materials

LED Type	2835
LED QTY	480PCS
Housing	IRON
Housing color	White
Cover	PC Milky
Operating Temperature	-4° F~113F,
Operating Humidity	10%-90% RH
Storage Temperature	-22° F~140° F

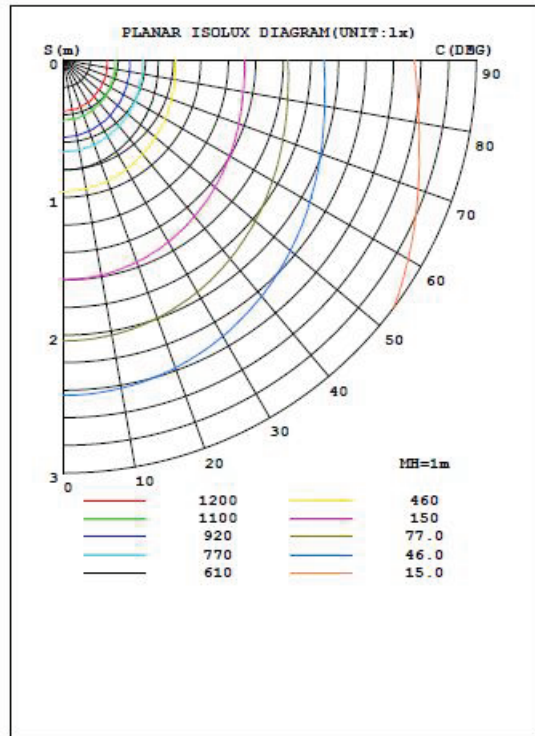
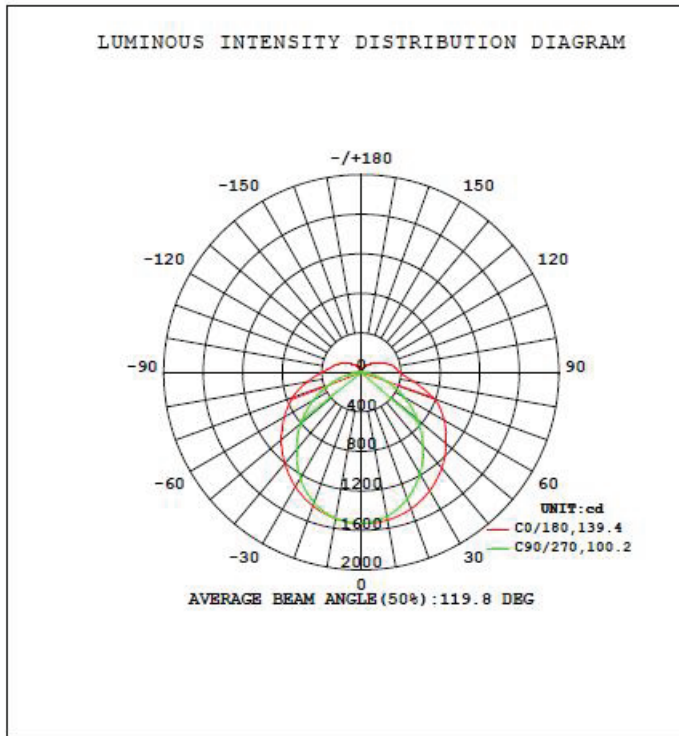
Others

Storage Humidity	10%-95%
Safety Certification	UL & DLC
Warranty Time	5 Years

Luminaire photometric

Test:U:119.93V I:0.3209A P:38.138W PF:0.9909 Freq:60.01Hz UTHDi:0.31% ITHDi:8.18% KDisp:1.000 Lamp Flux:5638.95x1 lm		
NAME: SZ-LS40W-4FT-ACP	TYPE: 40W	WEIGHT:
SPEC.: 120~277V	DIM.: 0.08*1.2	SERIAL No.:
MFR.:	SUR.: 0.08*1.2	Shielding Angle:

DATA OF LAMP		PHOTOMETRIC DATA			
MODEL	SZ-LS40W-4FT-ACP	Imax (cd)	1532	S/MH (C0/180)	1.30
NOMINAL POWER (W)	40	LOR (%)	100.0	S/MH (C90/270)	1.21
RATED VOLTAGE (V)	120	TOTAL FLUX (lm)	5639.0	η UP, DN (C0-180)	6.4, 42.7
NOMINAL FLUX (lm)	5638.95	CIE CLASS	SEMI-D.	η UP, DN (C180-360)	6.6, 44.3
LAMPS INSIDE	1	η up (%)	13.0	CIBSE SHR NOM	1.25
TEST VOLTAGE (V)	120	η down (%)	87.0	CIBSE SHR MAX	1.35

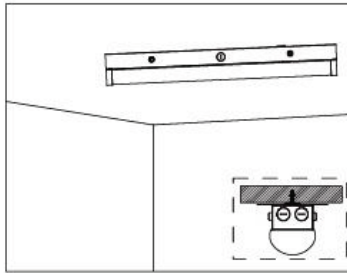


Package

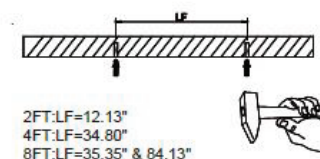
Model	Net Weight	Size	Qty/Carton	Weight/Carton
SZ-LS40W-4FT-ACP	12.8KG	47.56*9.33*10.79"	9	14.2KG

Installation manual

A. Surface-mounted installation

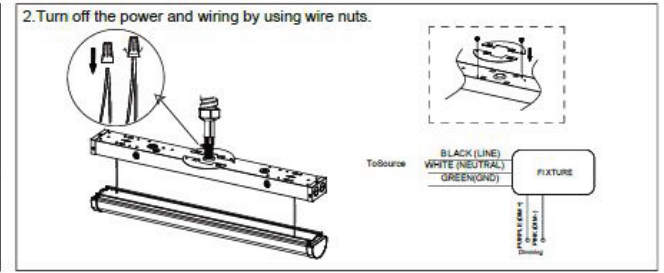


1. Punch a hole on the wall and put the expansion tube inside.

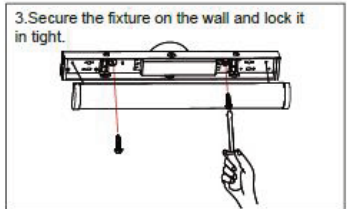


2FT: LF=12.13"
4FT: LF=34.80"
8FT: LF=35.35" & 84.13"

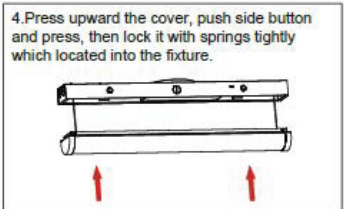
2. Turn off the power and wiring by using wire nuts.



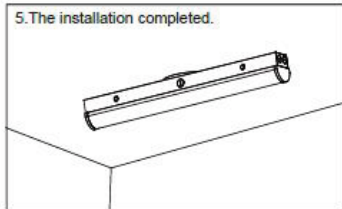
3. Secure the fixture on the wall and lock it in tight.



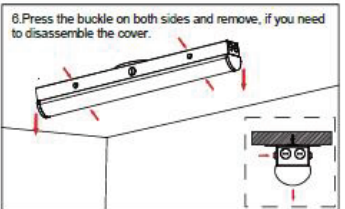
4. Press upward the cover, push side button and press, then lock it with springs tightly which located into the fixture.



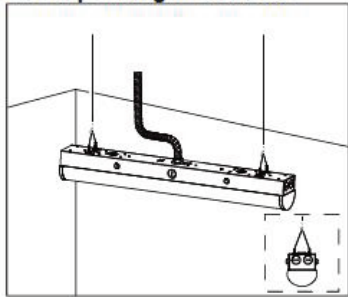
5. The installation completed.



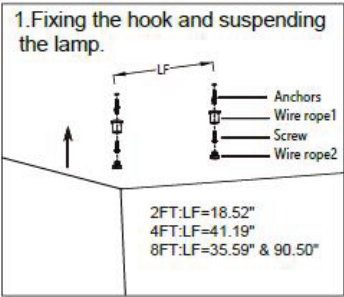
6. Press the buckle on both sides and remove, if you need to disassemble the cover.



B. Suspending installation

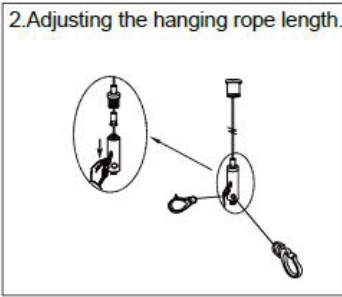


1. Fixing the hook and suspending the lamp.

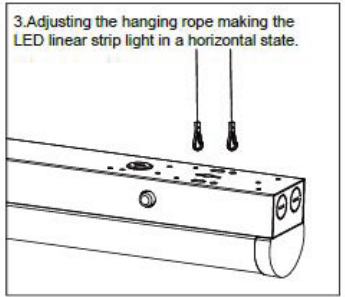


2FT: LF=18.52"
4FT: LF=41.19"
8FT: LF=35.59" & 90.50"

2. Adjusting the hanging rope length.



3. Adjusting the hanging rope making the LED linear strip light in a horizontal state.



4. Turn off the power and wiring by using wire nuts.

