



## LED Parking Lot Light

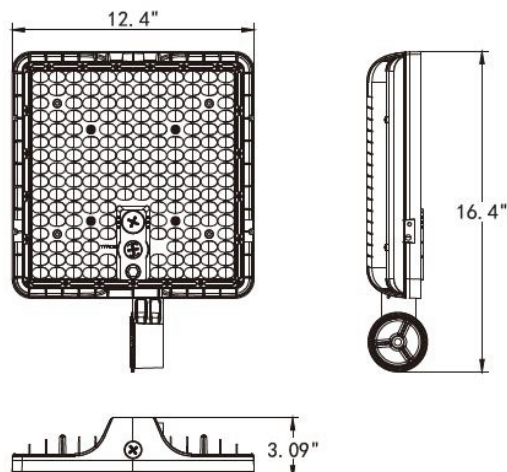
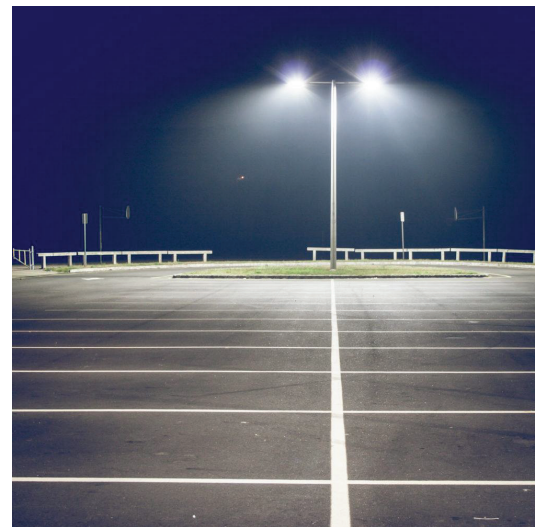
Model: SZ-PK300W-H1-ACP (Y)

### Advantage:

- UL & DLC certificate
- 2835 Chip, high CRI
- Input voltage 120-277V / 120-347V / 277-480VAC
- No UV or IR in the beam
- Easy to install and operate
- Energy saving, long lifespan
- Light is soft and uniform, safe to eyes
- Instant start, NO flickering, NO humming
- Green and eco-friendly without mercury.

### Application:

Outdoor basketball court, tennis court.  
Badminton court, the football field.  
The school playground, stadium.  
Community leisure entertainment plaza,  
road lamp etc.



## Product Specifications

Product Name	LED parking lot light
Model	SZ-PK300W-H1-ACP (Y)
Dimension	16.4*12.4*3.09"

## Technical Characteristic

Color temperature	Adjustable CCT:4000K/5000K/6500K
CRI	>70
Lumen	45000LM
Lumen Efficacy	150LM/W
Input Power	Adjustable Power:200W/240W/300W
Viewing Angle	Type III, Optional:Type II, Type IV, Type V
Input Voltage	120-277V 50/60Hz, Optional:120-347V / 277-480V
Driver model	SOSEN Driver , (0-10Vdc Dimmer, Surge-protective 6KV)
Driver Surge protection	L/N-PE: 6kV, L-N: 6kV
Photocell	Yes
Motion sensor	With motion sensor base
PF	>0.9
Waterproof Rating	IP65

## Materials

LED Type	2835
LED QTY	672PCS
Housing	Aluminum(ADC12) +PC
Housing color	Brown

## Other

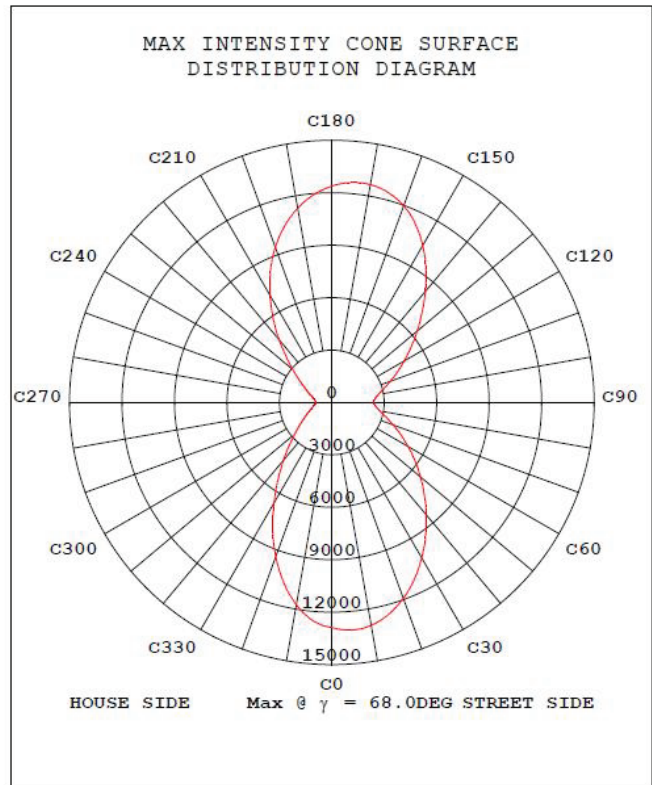
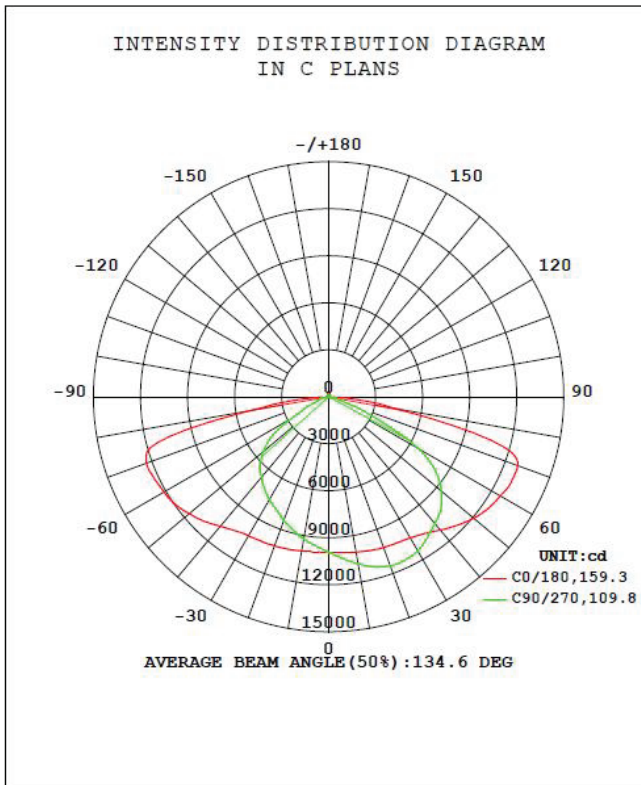
Operating Temperature	-40°C TO 45°C
Storage Temperature	-40°C TO 80°C
Storage Humidity	10%-95%
Application	Outdoor
Safety Certification	UL & DLC
Warranty Time	5 Years

## Light Distribution Testing Parameters

### STREETLIGHT PHOTOMETRIC TEST REPORT

Test:U:119.82V I:2.3470A P:279.29W PF:0.9931 Freq:60.01Hz		
UTHDi:0.87% ITHDi:9.98% KDisp:-0.0000 Lamp Flux:44044.8x1 lm		
NAME: SZ-PK300W-H1-ACP (Y)	TYPE:	WEIGHT:
SPEC.: 120~277V	DIM.: 0.305*0.31	SERIAL No.:
MFR.:	SUR.: 0.285*0.29	Shielding Angle:

DATA OF LAMP		PHOTOMETRIC DATA			
MODEL	SZ-PK300W-H1-ACP (Y)	Imax (cd)	12860	$\eta$ street_up (%)	1.0
NOMINAL POWER (W)	300	LOR (%)	100.0	$\eta$ street_down (%)	55.8
RATED VOLTAGE (V)	120	TOTAL FLUX (lm)	44045	$\eta$ house_up (%)	1.1
NOMINAL FLUX (lm)	44044.8	MAXIMUM @ (C, $\gamma$ )	0,68.0	$\eta$ house_down (%)	42.2
LAMPS INSIDE	1	$\eta$ up (%)	2.0	76 FLASHAREA (m2)	0.05000
TEST VOLTAGE (V)	120	$\eta$ down (%)	98.0	SLI	25.621



## Package

Model	Net Weight	Carton Size	Qty / Carton	Gross Weight
SZ-PK300W-H1-ACP (Y)	4.1KG	16.85*12.72*4.29"	1 PC	4.8KG

