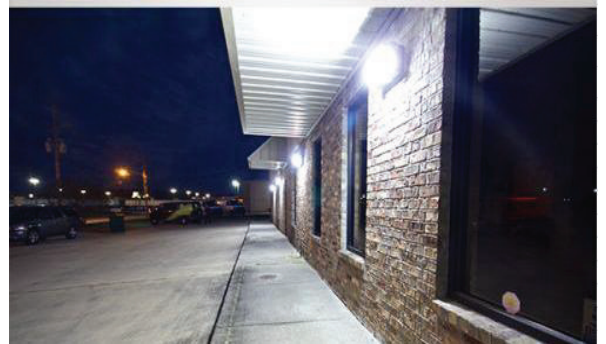


LED Slim Wall Pack

Model :SZ-SWP150W-HP-ACP

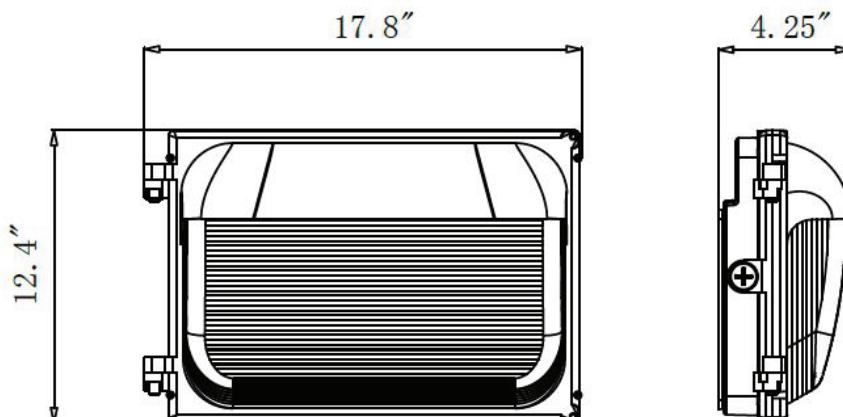
Advantage:

- ETL & DLC certificate;
- IP65 Internal driver;
- Adjustable Power and CCT;
- Input voltage 120-277VAC;
- No UV or IR in the beam;
- Easy to install and operate;
- Energy saving, long lifespan;
- Light is soft and uniform, safe to eyes;
- Instant start, NO humming;
- Green and eco-friendly without mercury.



Application:

Entrance lighting, courtyard lighting;
Industrial lighting, Outdoor landscape lighting;
Building, The hotel;
Wall lighting area and so on.





Specifications

Product name	LED Slim Wall Pack
Part No	SZ-SWP150W-HP-ACP
Dimension	17.8*12.4*4.25"

Technical Characteristic

Color temperature	Adjustable CCT:3500K/5000K/6500K
CRI	>80
Lumen	18000LM
Lumen Efficacy	120LM/W
Input Power	Adjustable Power:100W/120W/150W
Viewing Angle	TypeIV
Input Voltage	120-277VAC 50/60Hz
Driver model	China Brand Driver, (0-10Vdc Dimmer, Surge-protective 6KV)
Photocell	Yes
PF	>0.9
Waterproof Rating	IP65

Materials

LED Type	2835
LED QTY	1404PCS
Housing	Aluminum(ADC12) +Glass
Housing color	Brown

Others

Operating Temperature	-40°C TO 45°C
Operating Humidity	20%-90% RH
Storage Temperature	-40°C TO 80°C
Storage Humidity	10%-95%
Application	Outdoor / Indoor
Safety Certification	ETL & DLC
Warranty Time	5 Years

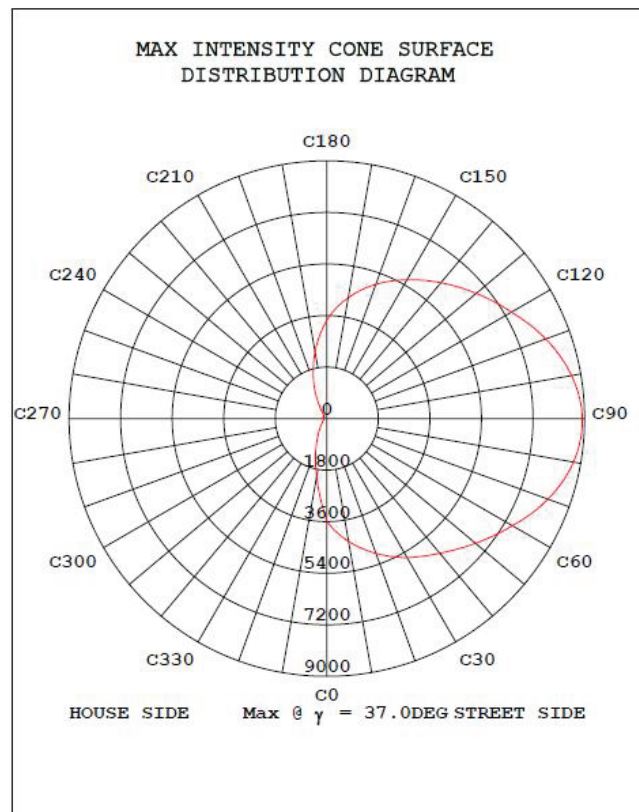
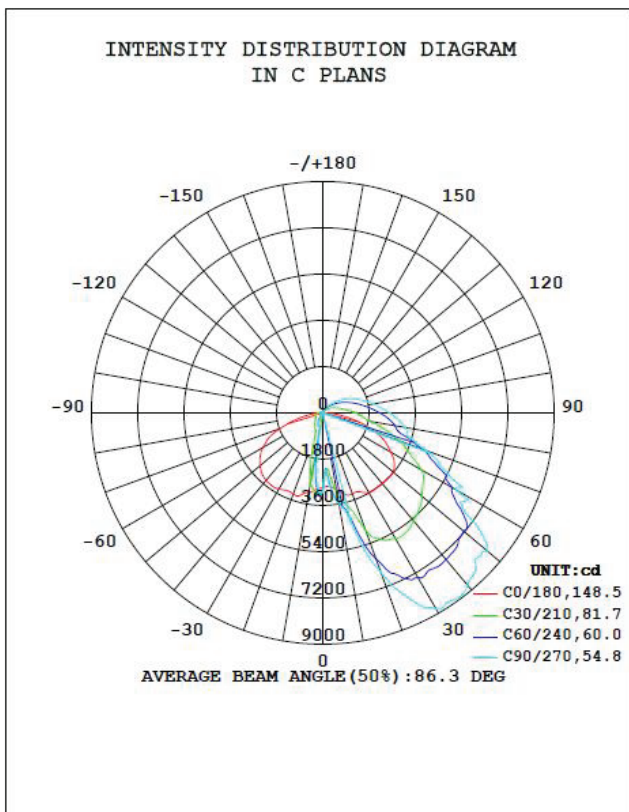


Light Distribution Testing Parameters

STREETLIGHT PHOTOMETRIC TEST REPORT

Test:U:119.96V I:1.2116A P:145.04W PF:0.9979 Freq:59.98Hz		
Lamp Flux:17690.6x1 lm		
NAME: SZ-SWP150W-HP-ACP 5000K	TYPE:	WEIGHT:
SPEC.: 310*240	DIM.:	SERIAL No.: 20240417001
MFR.:	SUR.: 310*240	Shielding Angle:

DATA OF LAMP		PHOTOMETRIC DATA Eff: 121.97 lm/W			
MODEL	SZ-SWP150W-HP-ACP	I _{max} (cd)	8924	η street_up (%)	11.4
NOMINAL POWER (W)	150	LOR (%)	100.0	η street_down (%)	76.8
RATED VOLTAGE (V)	120	TOTAL FLUX (lm)	17691	η house_up (%)	1.0
NOMINAL FLUX (lm)	17690.6	MAXIMUM @ (C, γ)	90, 37.0	η house_down (%)	10.8
LAMPS INSIDE	1	η up (%)	12.4	76 FLASHAREA (m2)	
TEST VOLTAGE (V)	120	η down (%)	87.6	SLI	



Package

Model	Net Weight	Size	Qty/Carton	Weight/Carton
SZ-SWP50W-HP-ACP	6KG	19.88*12.91*15.35"	2	7.1KG