

LED Sport Light

Model: SZ-SP800WH-XX-5000K

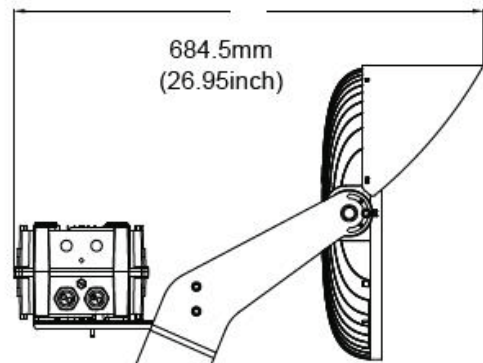
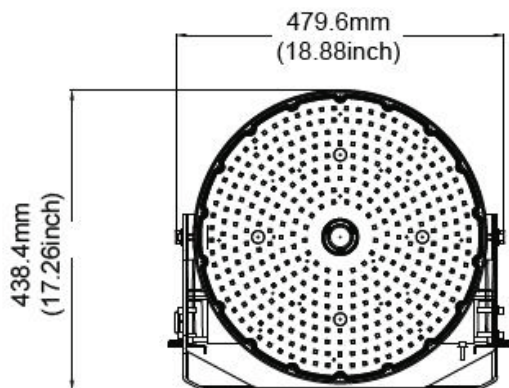
Advantage:

- UL certificate
- 5050 Chip
- Input voltage 277-480VAC
- No UV or IR in the beam
- Easy to install and operate
- Energy saving, long lifespan
- Light is soft and uniform, safe to eyes
- Instant start, NO flickering, NO humming
- Green and eco-friendly without mercury.



Application:

Gymnasium, Square plaza,
Shipyards, Airport, Wharf,
High mast and Contour lighting, etc.



Product Specifications

Product Name	LED Sport Light
Light Type	SZ-SP800WH-XX-5000K
Dimension	26.95*18.88*17.26"

Technical Characteristic

Color temperature	5000K, Optional:5700K
CRI	>70
Lumen	128000LM
Lumen Efficacy	160LM/W
Input Power	800W
Viewing Angle	Optional:15°/25°/40°/60°
Input Voltage	277-480V 50/60Hz, Optional:120-277V, 120-347V
Driver model	SOSEN Brand driver, (0-10Vdc Dimmer, Surge-protective 10KV)
PF	>0.9
Waterproof Rating	IP65

Materials

LED Type	LUMILEDS 5050
LED QTY	360PCS
Housing	Aluminum(ADC12)
Housing color	Gray or Black
Operating Temperature	-40°C TO 45°C
Operating Humidity	10%-90% RH
Storage Temperature	-40°C TO 80°C

Others

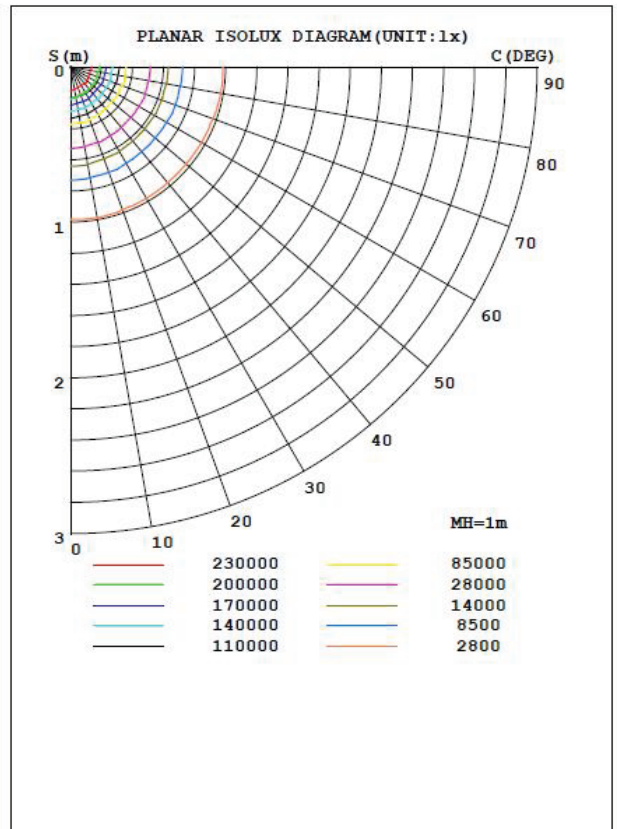
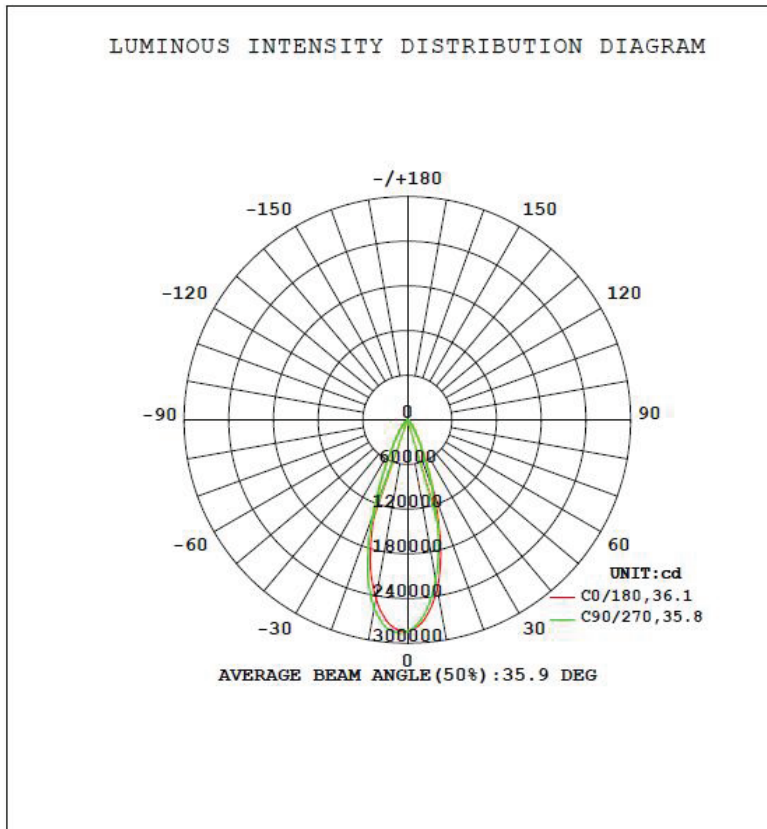
Storage Humidity	10%-95%
Application	Outdoor
Safety Certification	UL
Warranty Time	5 Years

Light Distribution Testing Parameters

LUMINAIRE PHOTOMETRIC TEST REPORT

Test:U:119.61V I:6.6581A P:795.49W PF:0.9989 Freq:60.01Hz		
UTHdi:0.99% ITHdi:1.45% KDisp:1.000 Lamp Flux:133410x1 lm		
NAME: SZ-SP800WH-XX-5000K	TYPE:	WEIGHT:
SPEC.: 120-277V	DIM.: 0.345	SERIAL No.:
MFR.:	SUR.: 0.345	Shielding Angle:

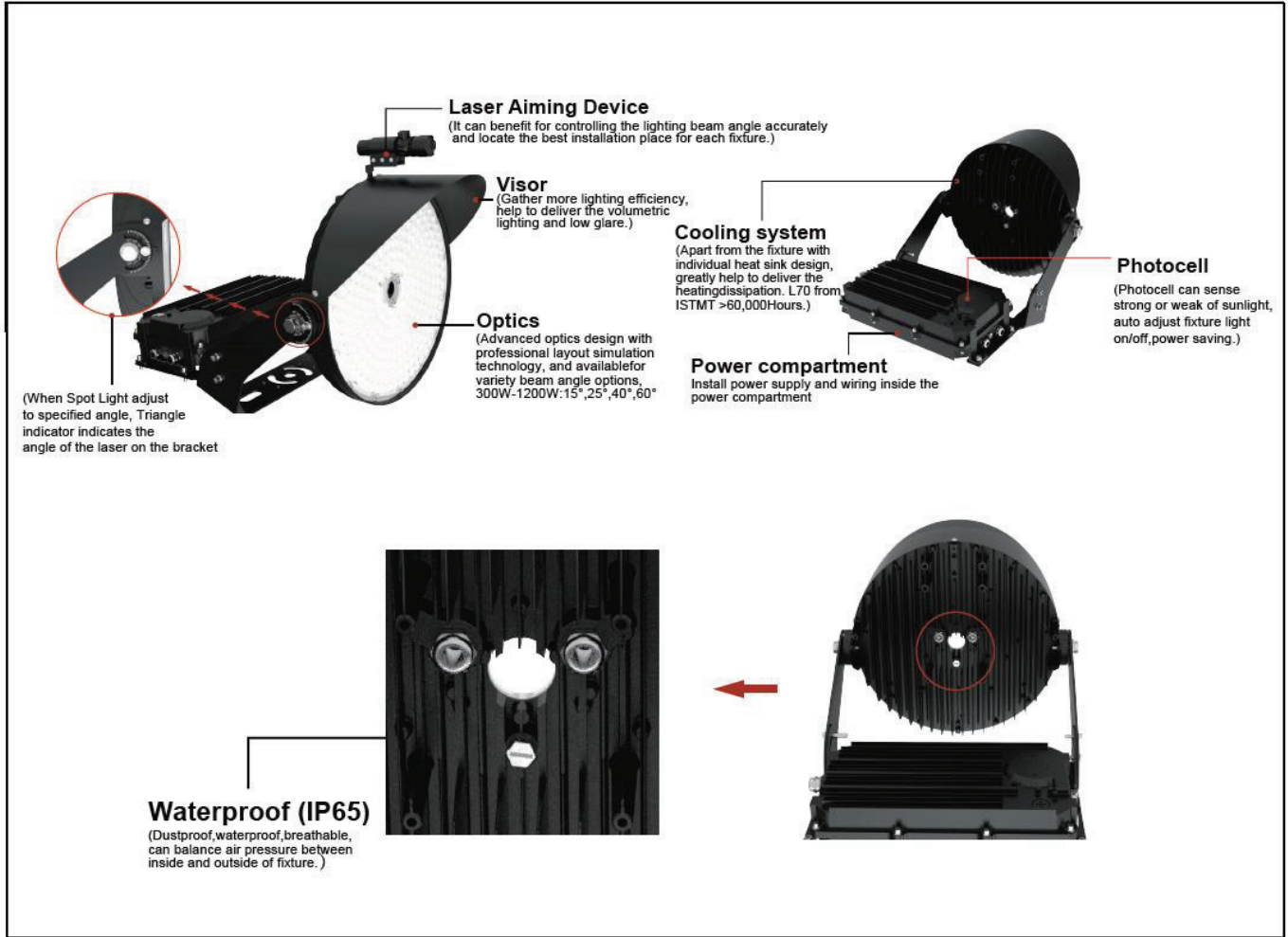
DATA OF LAMP		PHOTOMETRIC DATA			
MODEL	SZ-SP800WH-XX-5000K	Imax (cd)	286524	S/MH(C0/180)	0.61
NOMINAL POWER(W)	800	LOR(%)	100.0	S/MH(C90/270)	0.61
RATED VOLTAGE(V)	120	TOTAL FLUX(lm)	133410	η UP, DN(C0-180)	1.2, 44.5
NOMINAL FLUX(lm)	133410	CIE CLASS	DIRECT	η UP, DN(C180-360)	1.1, 53.2
LAMPS INSIDE	1	η up(%)	2.3	CIBSE SHR NOM	0.50
TEST VOLTAGE(V)	120	η down(%)	97.7	CIBSE SHR MAX	0.60



Package

Model	Net Weight	Size	Qty/Carton	Weight/Carton
SZ-SP800WH-XX-5000K	15.4KG	21.77*20.31*16.73"	1	19.51KG

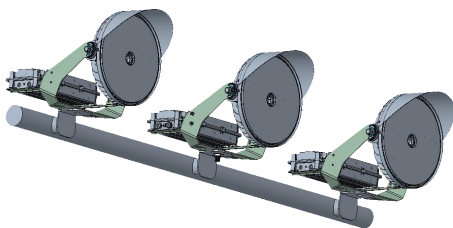
Product structure characteristics



Installation Diagram (optional)

1. The entire lamp is directly fixed on the lamp posts.

2. The lamp body and power box can also be installed separately.



Install lighting fixtures on lamp posts.



Install a power box inside the distribution box.

