

LED UFO High Bay

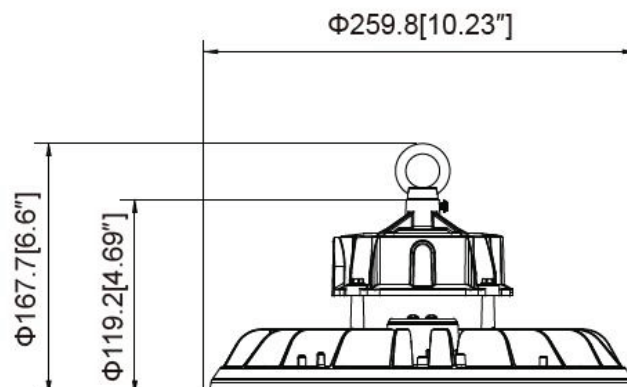
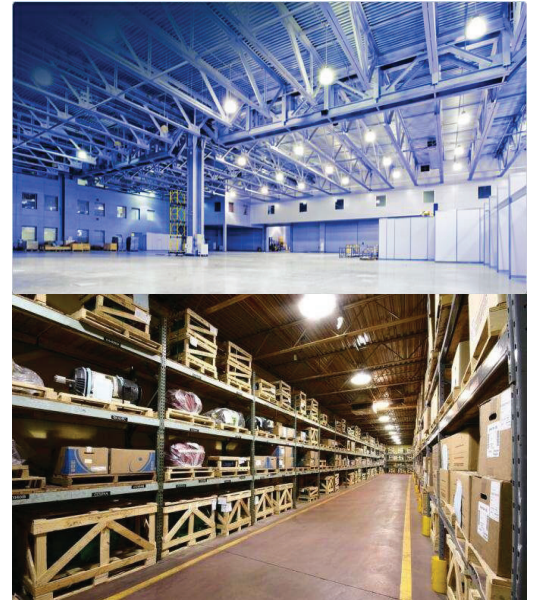
Model: SZ-HB150W-ACP

Advantage:

- UL & DLC certificate
- 2835 Chip, high CRI
- Input voltage AC 120-277V, 120-347V, 277-480V
- No UV or IR in the beam
- Easy to install and operate
- Energy saving, long lifespan
- Light is soft and uniform, safe to eyes
- Instant start, NO flickering, NO humming
- Green and eco-friendly without mercury.

Application:

Warehouse, factory and workshops;
Highway toll station and gas station;
Exhibition hall;
Gymnasium and supermarkets, etc.





Product Specifications

Product Name	LED UFO High Bay
Light Type	SZ-HB150W-ACP
Dimension	Φ10.23*6.6"

Technical Characteristic

Color temperature	Adjustable CCT:4000K/5000K/6000K
CRI	>70
Lumen	22500LM
Lumen Efficacy	150LM/W
Input Power	Adjustable power: 100W/120W/150W
Viewing Angle	90 Degree
Input Voltage	120-277V 50/60Hz, Optional:120-347V / 277-480V
Driver model	China Brand driver, (0-10Vdc Dimmer, Surge-protective 6KV)
Motion sensor	With motion sensor base
Mounting Brackets	Hook, Optional:Rings,U-shaped
PF	>0.9
Waterproof Rating	IP65

Materials

LED Type	2835
LED QTY	336PCS
Housing	Aluminum(ADC12)
Housing color	Black
Cover	PC
Operating Temperature	-40°C TO 45°C
Operating Humidity	10%-90% RH
Storage Temperature	-40°C TO 80°C

Others

Storage Humidity	10%-95%
Application	Outdoor
Safety Certification	UL & DLC
Warranty Time	5 Years

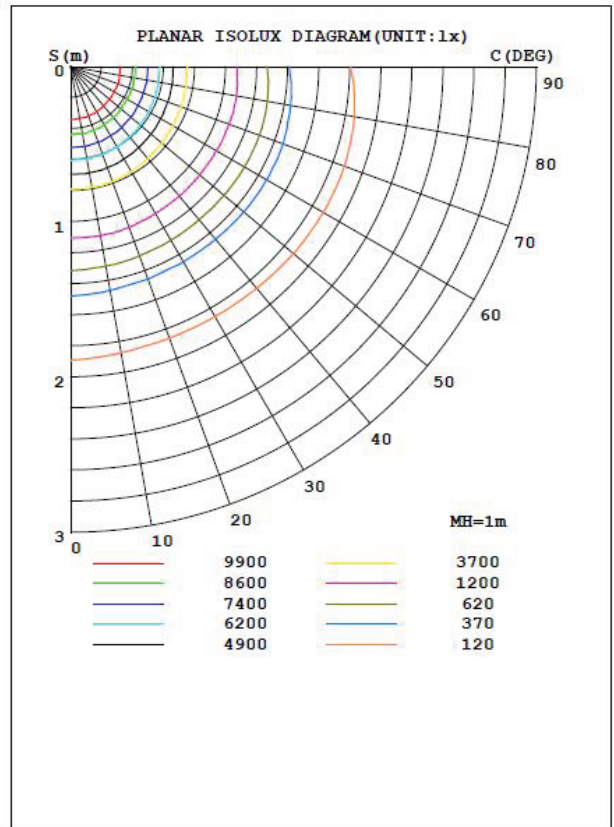
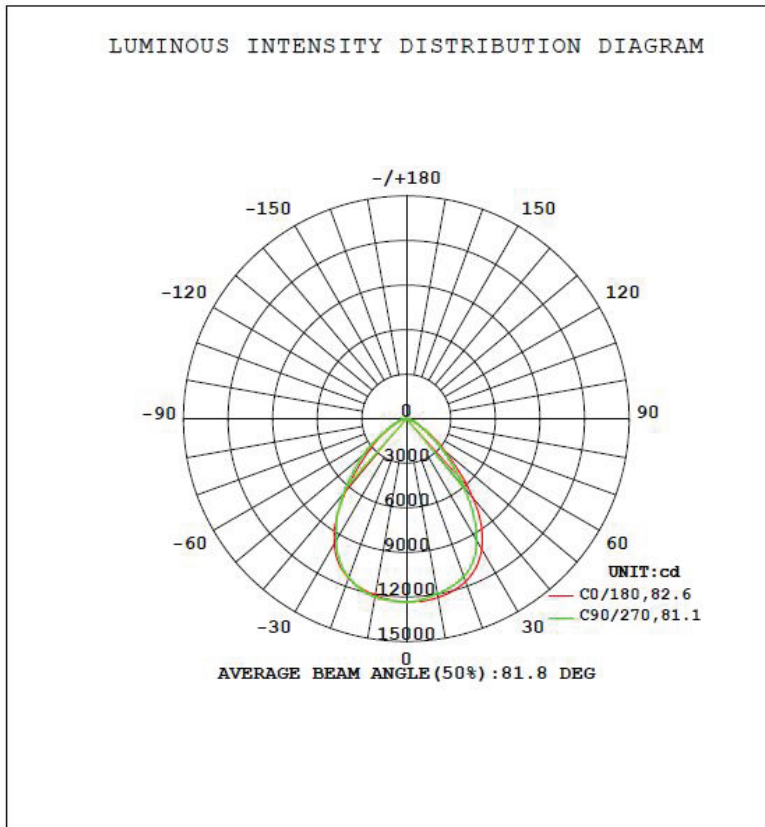


Light Distribution Testing Parameters

LUMINAIRE PHOTOMETRIC TEST REPORT

Test:U:119.88V I:1.1759A P:140.38W PF:0.9958 Freq:60.01Hz UTHDi:0.64% ITHDi:3.77% KDisp:1.000 Lamp Flux:22313.4x1 lm		
NAME:SZ-HB150WX-ACP	TYPE: SZ-HB150WX-ACP	WEIGHT: 01
SPEC.: 120~277V	DIM.: 0.26	SERIAL No.:
MFR.:	SUR.: 0.22	Shielding Angle:

DATA OF LAMP		PHOTOMETRIC DATA			
MODEL	SZ-HB150WX-ACP	Imax (cd)	12345	S/MH (C0/180)	1.16
NOMINAL POWER (W)	150	LOR (%)	100.0	S/MH (C90/270)	1.16
RATED VOLTAGE (V)	120	TOTAL FLUX (lm)	22313	η UP, DN (C0-180)	1.2, 47.6
NOMINAL FLUX (lm)	22313.4	CIE CLASS	DIRECT	η UP, DN (C180-360)	1.1, 50.1
LAMPS INSIDE	1	η up (%)	2.3	CIBSE SHR NOM	1.00
TEST VOLTAGE (V)	120	η down (%)	97.7	CIBSE SHR MAX	1.15



Package

Model	Net Weight	Size	Qty/Carton	Weight/Carton
SZ-HB150W-ACP	1.57KG	10.59*10.59*5.63"	1	2KG