

LED Wall Pack

Model :SZ-SWP30W-HP-ACP

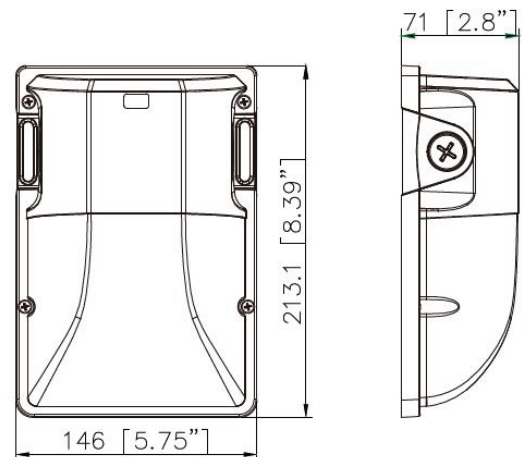
Advantage:

- UL certificate;
- IP65 Internal driver;
- Adjustable Power and CCT;
- Input voltage 120-277VAC;
- No UV or IR in the beam;
- Easy to install and operate;
- Energy saving, long lifespan;
- Light is soft and uniform, safe to eyes;
- Instant start, NO humming;
- Green and eco-friendly without mercury.



Application:

Entrance lighting, courtyard lighting;
Industrial lighting, Outdoor landscape lighting;
Building, The hotel;
Wall lighting area and so on.



Specifications

Product name	LED Wall Pack
Part No	SZ-SWP30W-HP-ACP
Dimension	8.39*5.75*2.8"

Technical Characteristic

Color temperature	Adjustable CCT:3000K/4000K/5000K
CRI	>70
Lumen	3600LM
Lumen Efficacy	120LM/W
Input Power	Adjustable Power:18W/25W/30W
Distribution	Semi-Cutoff
Input Voltage	120-277VAC 50/60Hz
Driver model	China Brand Driver, (0-10Vdc Dimmer, Surge-protective 2KV)
Photocell	Yes
PF	>0.9
Waterproof Rating	IP65

Materials

LED Type	2835
LED QTY	60PCS
Housing	Aluminum(ADC12) +Glass
Housing color	Brown

Others

Operating Temperature	-40°C TO 45°C
Operating Humidity	20%-90% RH
Storage Temperature	-40°C TO 80°C
Storage Humidity	10%-95%
Application	Outdoor / Indoor
Safety Certification	UL
Warranty Time	5 Years

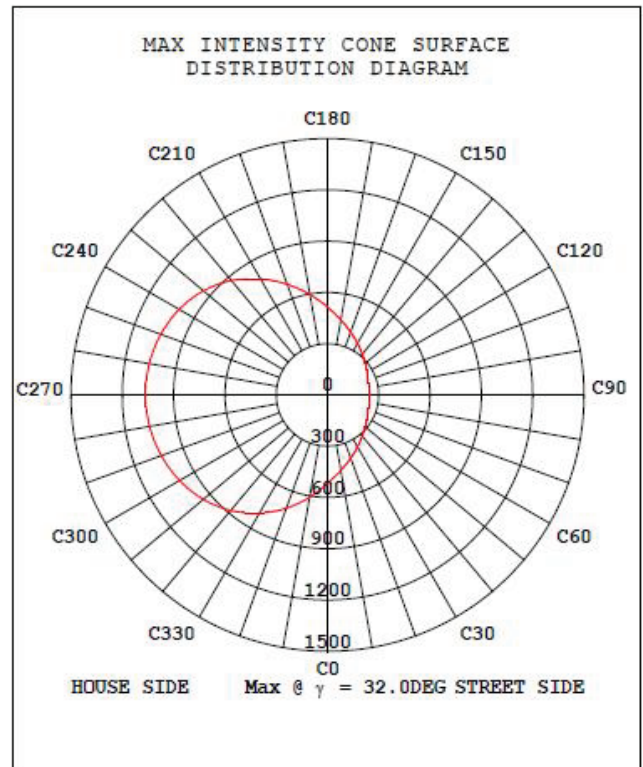
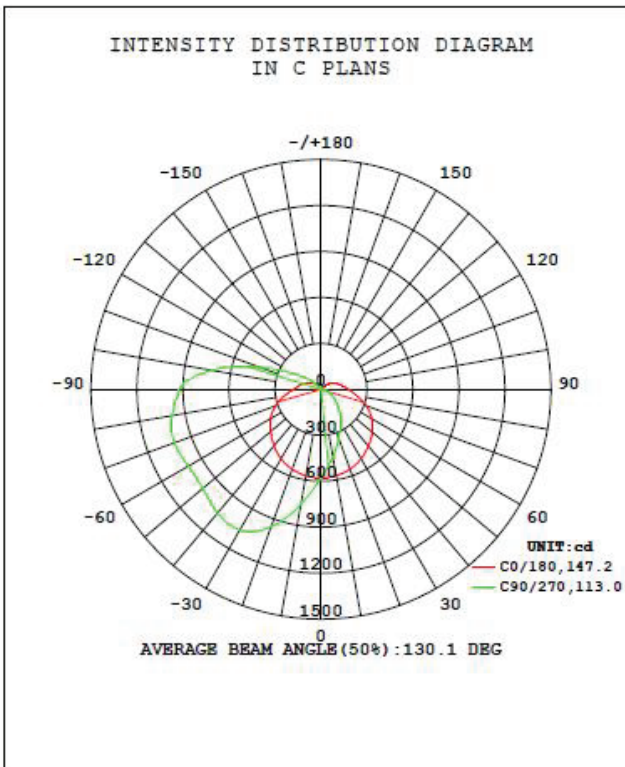


Light Distribution Testing Parameters

STREETLIGHT PHOTOMETRIC TEST REPORT

Test:U:120.01V I:0.2353A P:28.009W PF:0.9919 Freq:60.01Hz		
UTHDi:0.24% ITHDi:5.36% KDisp:0.0000 Lamp Flux:3817.17x1 lm		
NAME: SZ-SWP30W-HP-ACP	TYPE: SZ-SWP30W-HP-ACP	WEIGHT:
SPEC.: 120~277V	DIM.: 0.145*0.21	SERIAL No.:
MFR.:	SUR.: 0.145*0.12	Shielding Angle:

DATA OF LAMP		PHOTOMETRIC DATA			
MODEL	SZ-SWP30W-HP-ACP	Imax (cd)	1065	η street_up (%)	3.2
NOMINAL POWER (W)	30	LOR (%)	100.0	η street_down (%)	16.9
RATED VOLTAGE (V)	120	TOTAL FLUX (lm)	3817	η house_up (%)	17.6
NOMINAL FLUX (lm)	3817.17	MAXIMUM @ (C, γ)	270,32.0	η house_down (%)	62.3
LAMPS INSIDE	1	η up (%)	20.8	76 FLASHAREA(m2)	0.05000
TEST VOLTAGE (V)	120	η down (%)	79.2	SLI	20.442



Package

Model	Net Weight	Size	Qty/Carton	Weight/Carton
SZ-SWP30W-HP-ACP	16KG	16.93*12.91*18.5"	20	16.8KG