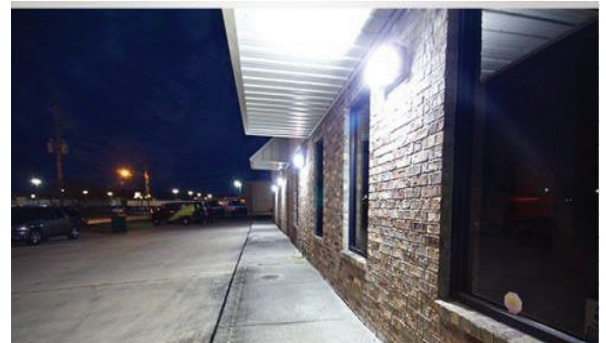


LED Wall Pack

Model :SZ-WP120/100/80W-HP-ACP

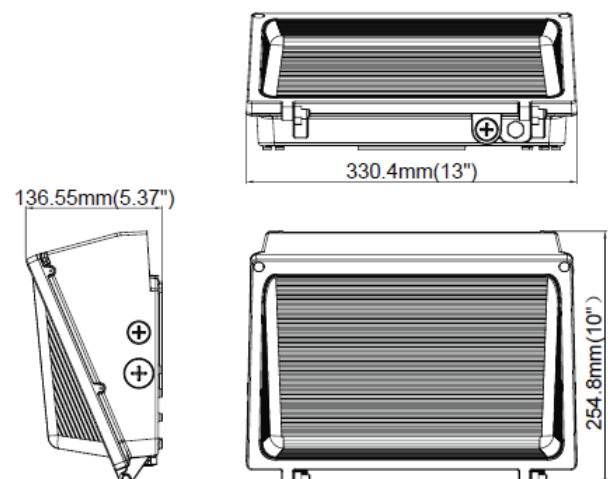
Advantage:

- UL&DLC certificate;
- IP65 Internal driver;
- Adjustable Power and CCT;
- Input voltage 120-277VAC;
- No UV or IR in the beam;
- Easy to install and operate;
- Energy saving, long lifespan;
- Light is soft and uniform, safe to eyes;
- Instant start, NO humming;
- Green and eco-friendly without mercury.



Application:

Entrance lighting, courtyard lighting;
Industrial lighting, Outdoor landscape lighting;
Building, The hotel;
Wall lighting area and so on.



Specifications

Product name	LED Wall Pack
Part No	SZ-WP120/100/80W-HP-ACP
Dimension	330*254*136mm

Technical Characteristic

Color temperature	Adjustable CCT:4000K/5000K/5700K
CRI	>80
Lumen	15600LM
Lumen Efficacy	130LM/W
Input Power	Adjustable Power:120W/100W/80W
Viewing Angle	80*110 Degree
Input Voltage	120-277VAC 50/60Hz
Driver model	China Brand Driver, (0-10Vdc Dimmer)
Photocell	Yes
PF	>0.9
Waterproof Rating	IP65

Materials

LED Type	2835
LED QTY	560PCS
Housing	Aluminum(ADC12) +PC
Housing color	Brown

Others

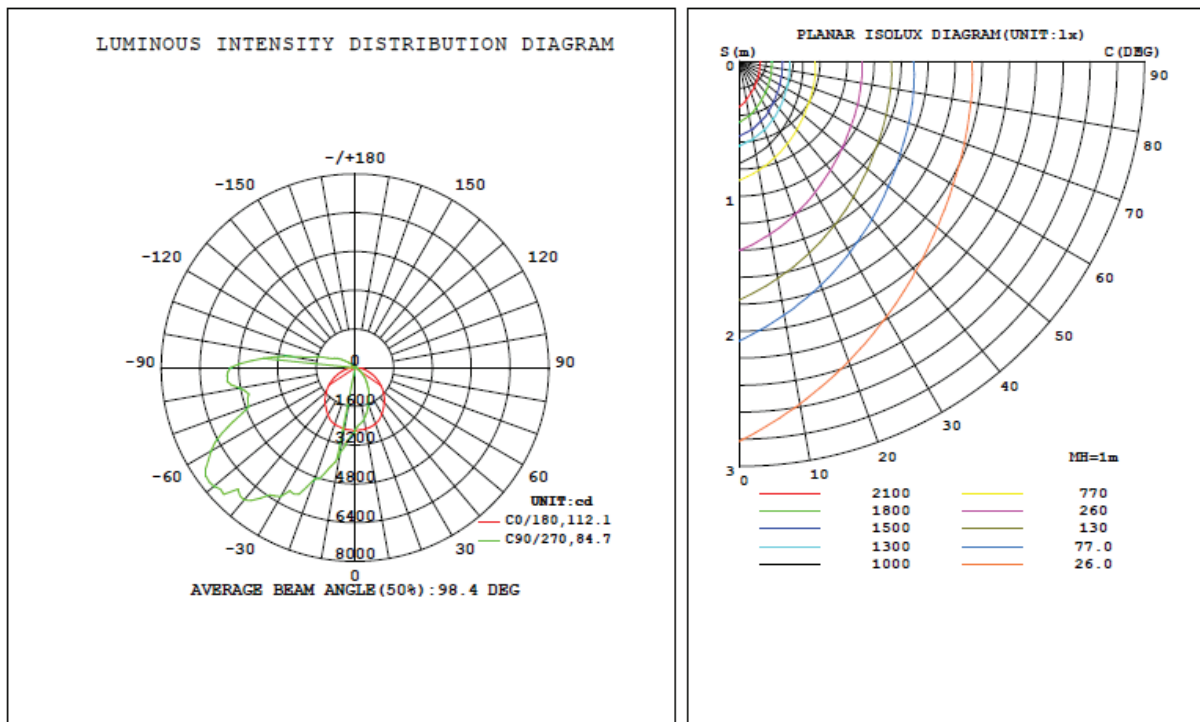
Operating Temperature	-40℃ TO 45℃
Operating Humidity	20%-90% RH
Storage Temperature	-40℃ TO 80℃
Storage Humidity	10%-95%
Application	Outdoor / Indoor
Safety Certification	UL&DLC
Warranty Time	5 Years

Light Distribution Testing Parameters

LUMINAIRE PHOTOMETRIC TEST REPORT

Test:U:119.89V I:0.9696A P:115.91W PF:0.9970 Freq:60.01Hz		
UTHDi:0.49% ITHDi:4.02% KDisp:1.000 Lamp Flux:16742.5x1 lm		
NAME: SZ-WP120/100/80W	TYPE: SZ-WP120/100/80W	WEIGHT:
SPEC.: 120~277V	DIM.: 320*230	SERIAL No.: 01
MFR.: EVERFINE	SUR.: 290*200	Shielding Angle:

DATA OF LAMP		PHOTOMETRIC DATA			
MODEL	SZ-WP120/100/80W-HP-ACP	Imax (cd)	7649	S/MH (C0/180)	1.28
NOMINAL POWER (W)	120	LOR (%)	100.0	S/MH (C90/270)	2.71
RATED VOLTAGE (V)	120	TOTAL FLUX (lm)	16743	η UP, DN (C0-180)	1.3, 12.9
NOMINAL FLUX (lm)	16742.5	CIE CLASS	SEMI-D.	η UP, DN (C180-360)	12.2, 73.6
LAMPS INSIDE	1	η up (%)	13.5	CIBSE SHR NOM	1.25
TEST VOLTAGE (V)	120	η down (%)	86.5	CIBSE SHR MAX	1.35



Package

Model	Net Weight	Size	Qty/Carton	Weight/Carton
SZ-WP120/100/80W-HP-ACP	3.35KG	375*300*187MM	1	3.85KG