

**LED Wall Pack**

Model :SZ-WP80/60/40W-HP-ACP

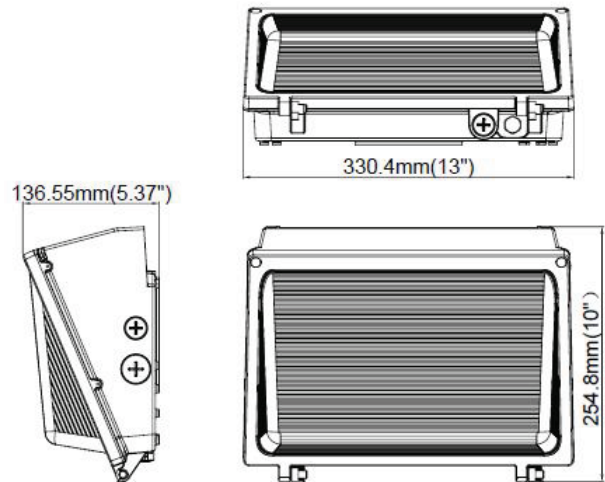
**Advantage:**

- UL&DLC certificate;
- IP65 Internal driver;
- Adjustable Power and CCT;
- Input voltage 120-277VAC;
- No UV or IR in the beam;
- Easy to install and operate;
- Energy saving, long lifespan;
- Light is soft and uniform, safe to eyes;
- Instant start, NO humming;
- Green and eco-friendly without mercury.



**Application:**

Entrance lighting, courtyard lighting;  
Industrial lighting, Outdoor landscape lighting;  
Building, The hotel;  
Wall lighting area and so on.



## Specifications

Product name	LED Wall Pack
Part No	SZ-WP80/60/40W-HP-ACP
Dimension	13*10*5.37"

## Technical Characteristic

Color temperature	Adjustable CCT:4000K/5000K/5700K
CRI	>80
Lumen	10400LM
Lumen Efficacy	130LM/W
Input Power	Adjustable Power:80W/60W/40W
Viewing Angle	80*110 Degree
Input Voltage	120-277VAC 50/60Hz
Driver model	China Brand Driver, (0-10Vdc Dimmer, Surge-protective 6KV)
Photocell	Yes
PF	>0.9
Waterproof Rating	IP65

## Materials

LED Type	2835
LED QTY	380PCS
Housing	Aluminum(ADC12) +Glass
Housing color	Brown

## Others

Operating Temperature	-40℃ TO 45℃
Operating Humidity	20%-90% RH
Storage Temperature	-40℃ TO 80℃
Storage Humidity	10%-95%
Application	Outdoor / Indoor
Safety Certification	UL&DLC
Warranty Time	5 Years

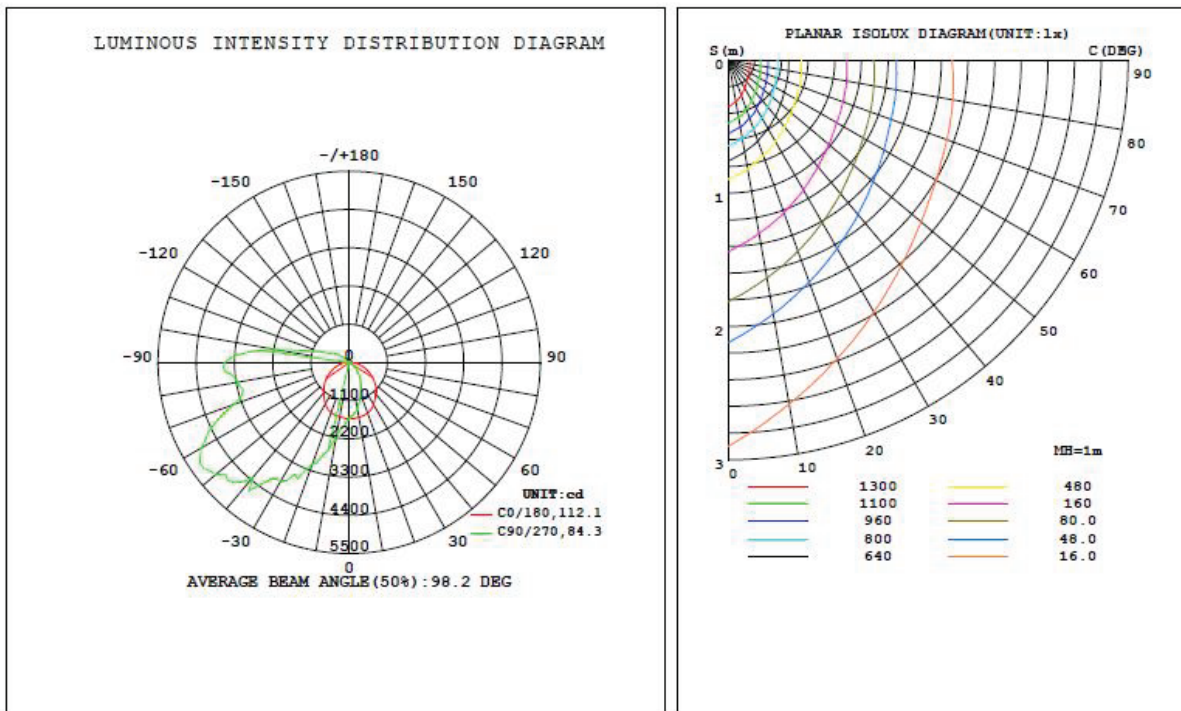


## Light Distribution Testing Parameters

### LUMINAIRE PHOTOMETRIC TEST REPORT

Test:U:119.89V I:0.6446A P:77.047W PF:0.9971 Freq:60.01Hz UTHDi:0.39% ITHDi:4.05% KDisp:0.0000 Lamp Flux:11260.5x1 lm		
NAME: SZ-WP80/60/40W	TYPE: SZ-WP80/60/40W	WEIGHT:
SPEC.: 120~277V	DIM.: 320*230	SERIAL No.: 01
MFR.: EVERFINE	SUR.: 290*200	Shielding Angle:

DATA OF LAMP		PHOTOMETRIC DATA				Eff: 146.15 lm/W
MODEL	SZ-WP80/60/40W-HP-ACP	I <sub>max</sub> (cd)	5181	S/MH (C0/180)		1.25
NOMINAL POWER (W)	80	LOR (%)	100.0	S/MH (C90/270)		2.85
RATED VOLTAGE (V)	120	TOTAL FLUX (lm)	11261	η UP, DN (C0-180)		1.3, 11.9
NOMINAL FLUX (lm)	11260.5	CIE CLASS	SEMI-D.	η UP, DN (C180-360)		13.7, 73.1
LAMPS INSIDE	1	η up (%)	15.0	CIBSE SHR NOM		1.25
TEST VOLTAGE (V)	120	η down (%)	85.0	CIBSE SHR MAX		1.35



## Package

Model	Net Weight	Size	Qty/Carton	Weight/Carton
SZ-WP80/60/40W-HP-ACP	3.35KG	14.76*11.81*7.36"	1	3.85KG