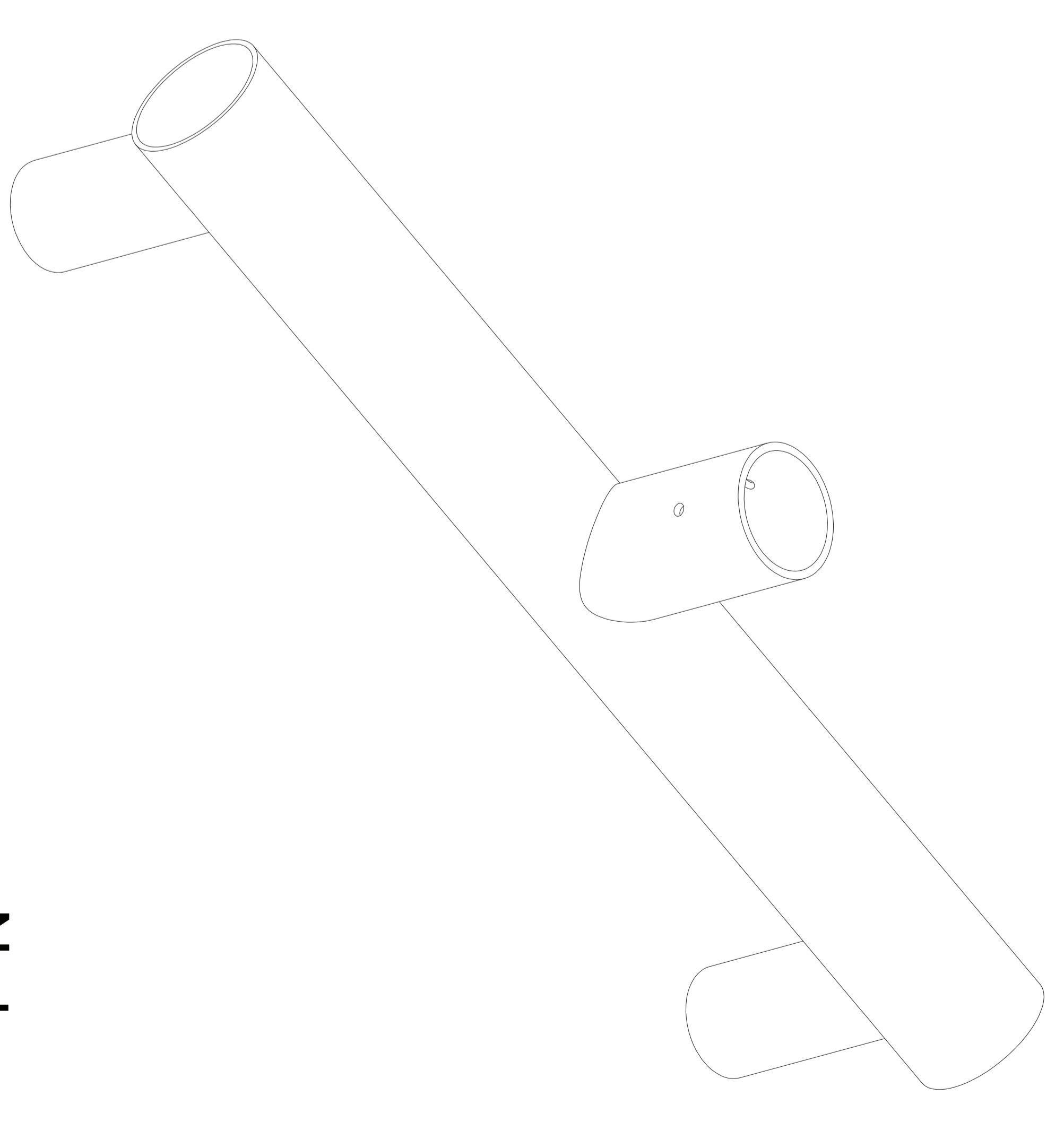
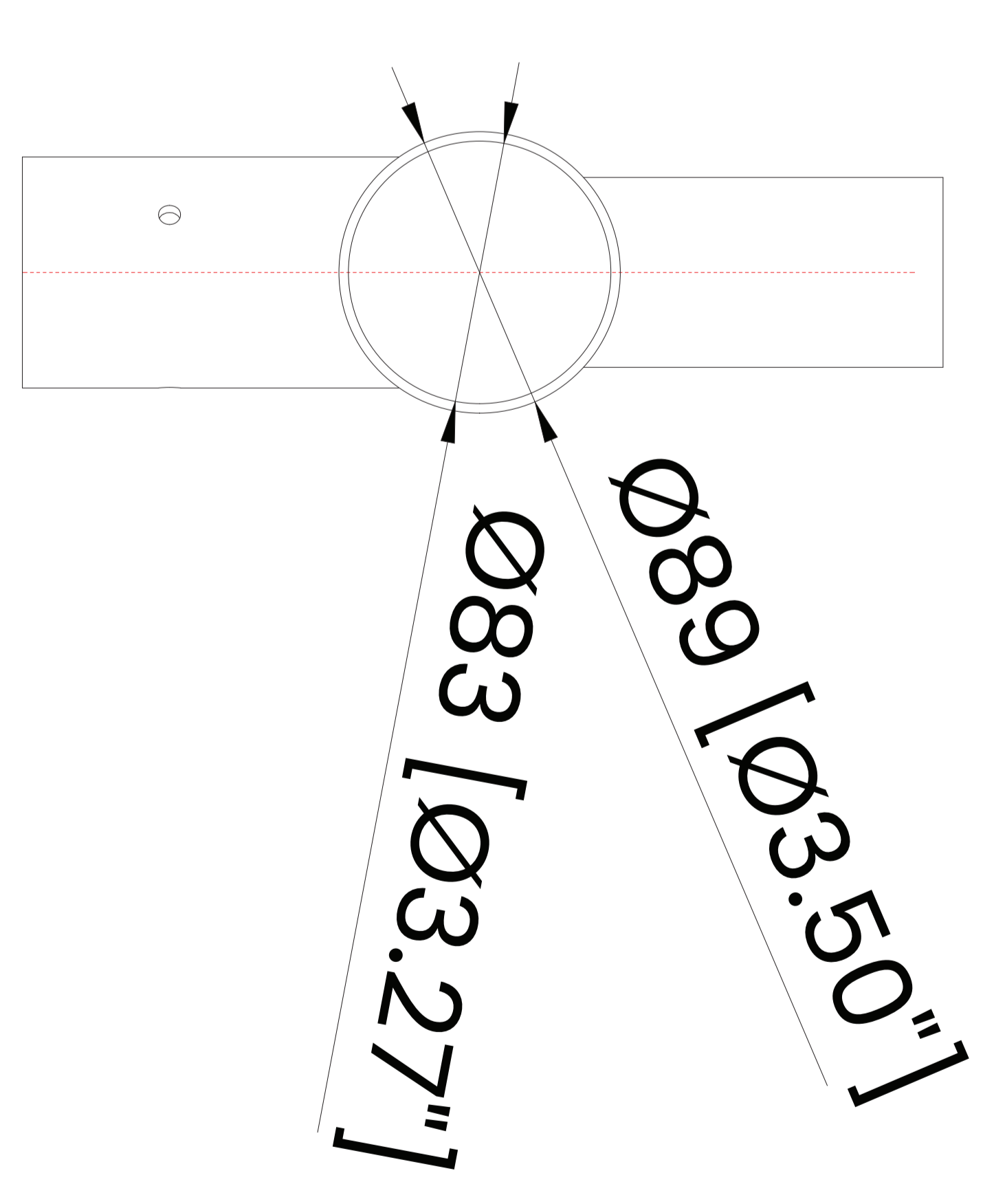
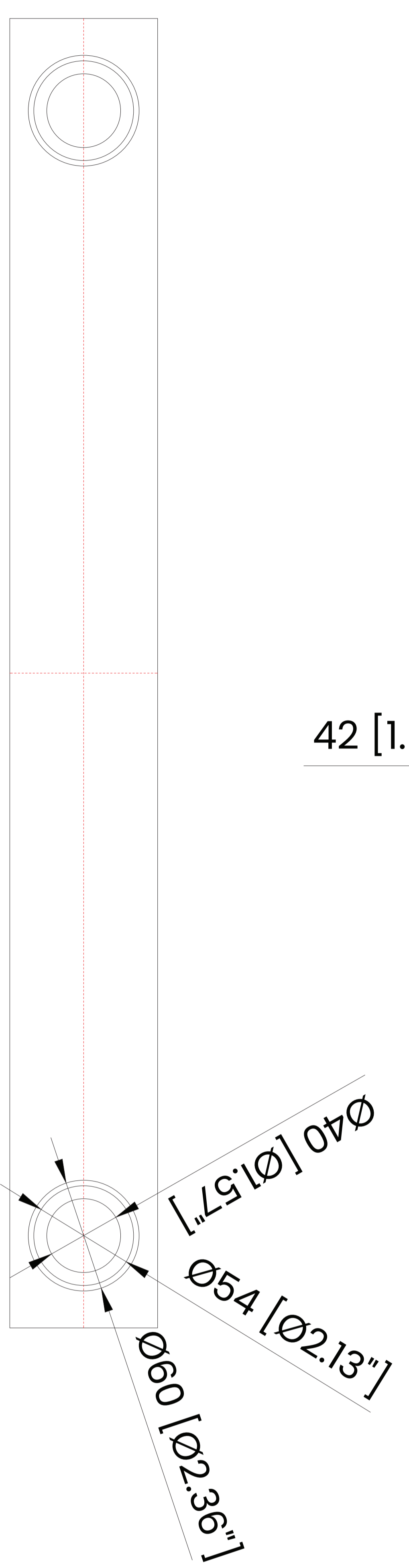
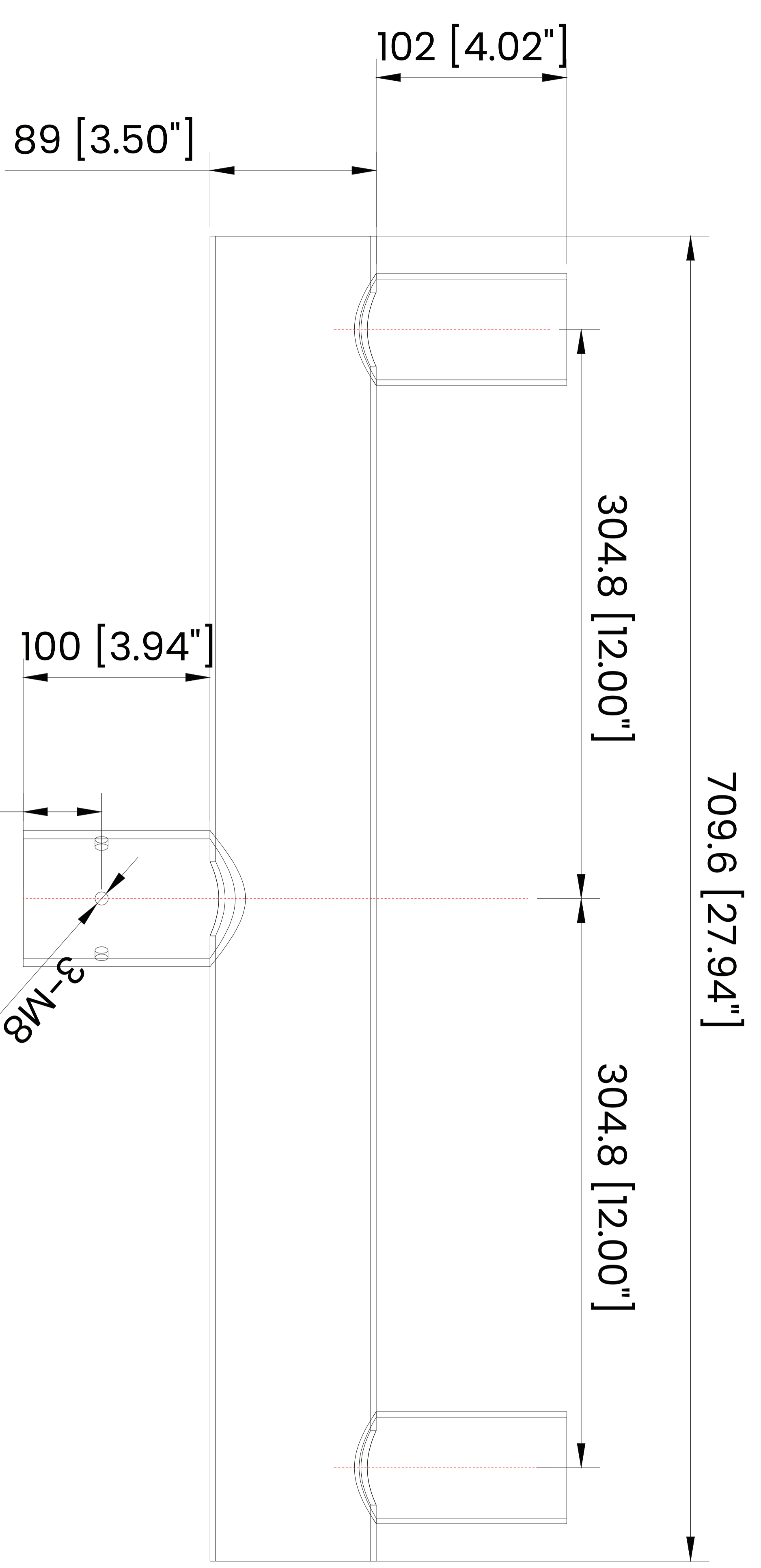
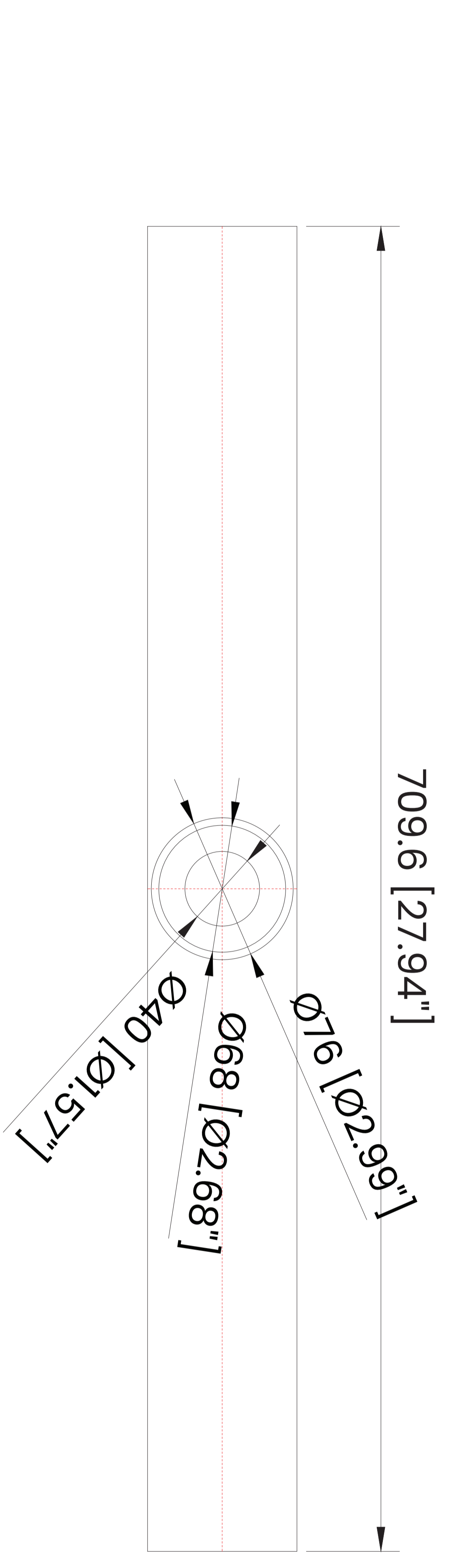
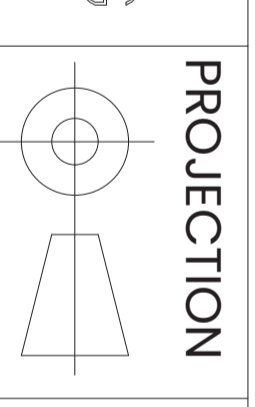


REV.	ZONE	DESCRIPTIONS	DWN BY	DATE



Net weigh**h**6kg

DO NOT SCALE DRAWING



MODEL: **SZ-3R2** DATE: 2025-8-5

PART NAME: **Bracket** S-PATH:

CAD FILE: P-E FILE: DWG. NO:

MATERIAL: Iron FINISH:

DWN. CHKD. APP. REVISION: PAGE 1 OF 1

REMARK:

TOLERANCE	ALL DIM.	ARE IN:mm
0	3	6
3	6	30
6	30	120
120	315	1000

E D C B A