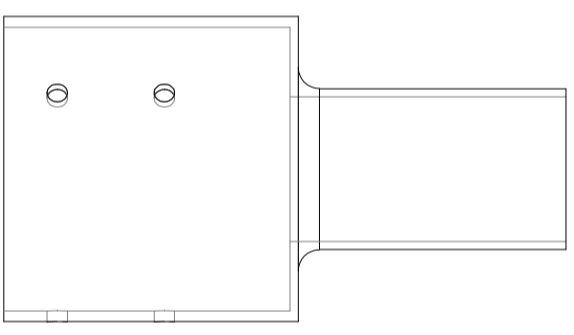
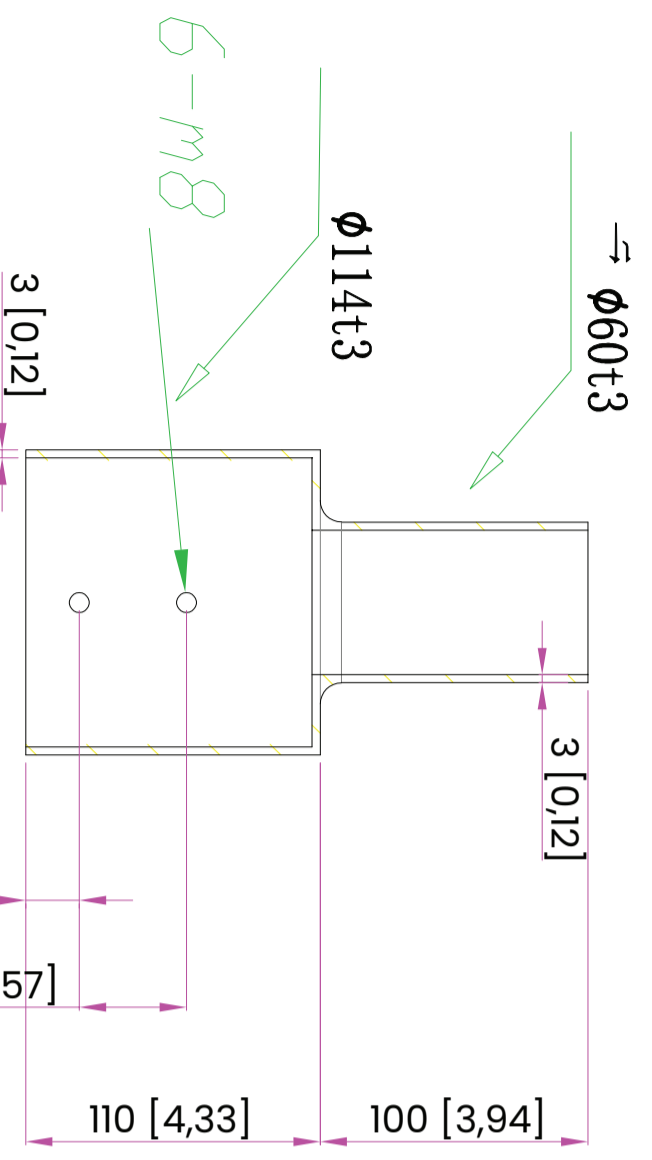
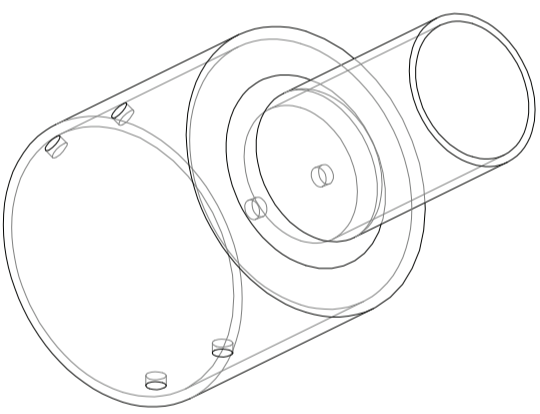
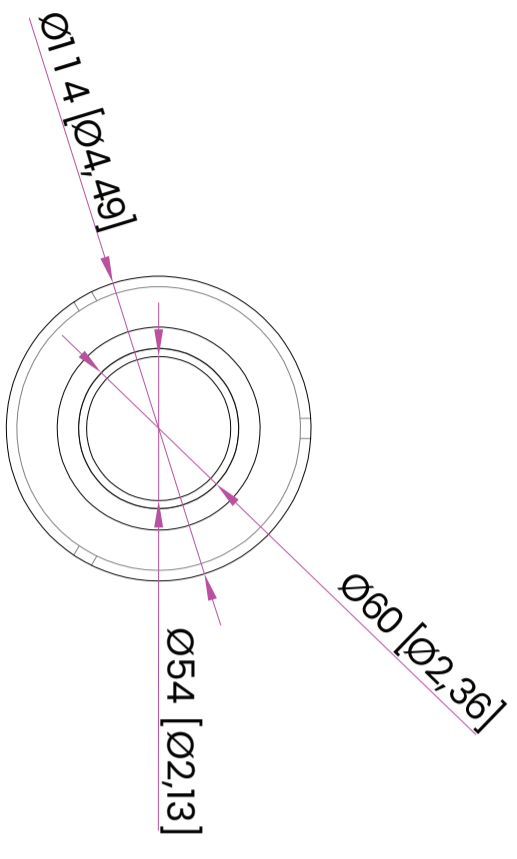


REV.	ZONE	DESCRIPTIONS	DWN BY	DATE



Net weight: 4K g

DO NOT SCALE DRAWING



TOLERANCE ALL DIM. ARE IN:mm

PROJECTION: MODEL: SZ-4R-1R DATE:

S-PATH: 0 3 6 30 120 315 PART NAME: Bracket PART NO:

3 6 30 120 315 1000 CAD FILE: DWG. NO:

A 0.05 0.1 0.15 0.2 0.3 0.4 P-E FILE: MATERIAL: Iron FINISH:

B 0.1 0.15 0.2 0.3 0.5 0.8 DWN. CHKD. APP. REVISION:

C 0.2 0.3 0.4 0.5 0.7 1.0 REMARK: PAGE OF

D 0.4 0.5 0.7 1.0 1.5 2.0

A B C D E