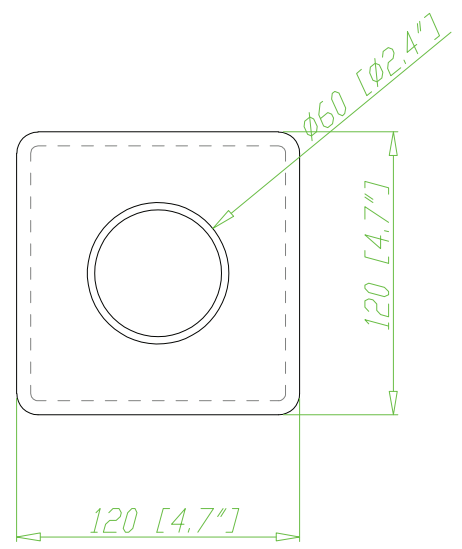
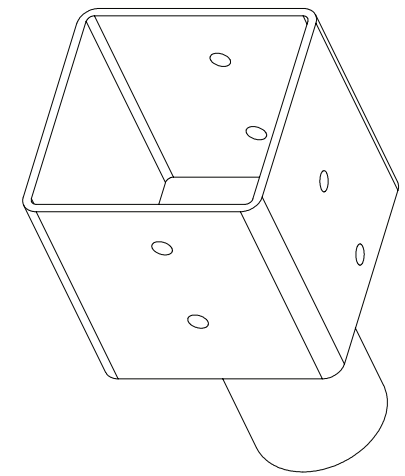
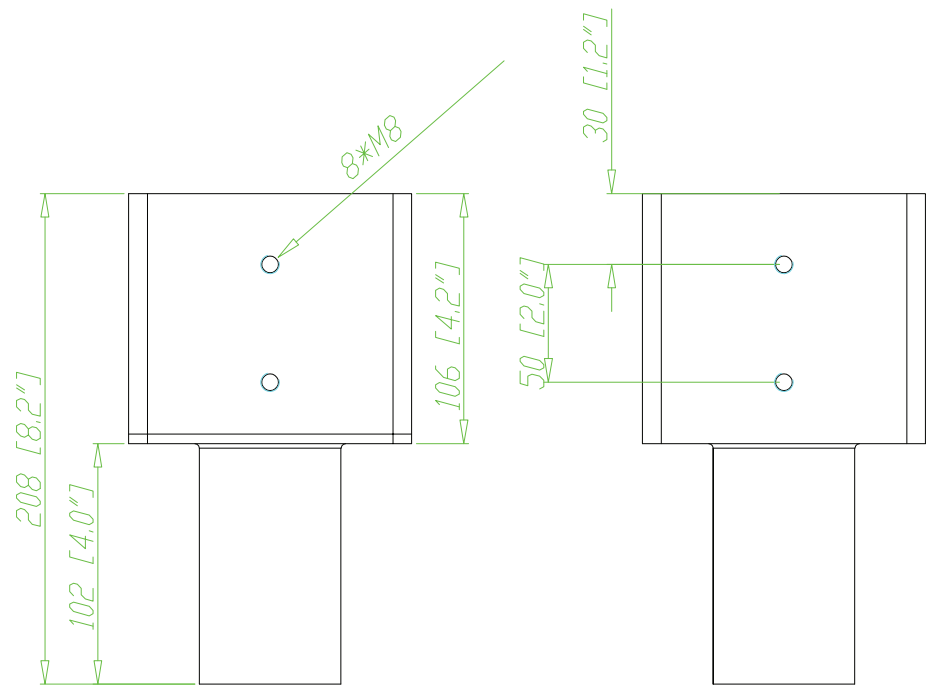


REV.	ZONE	DESCRIPTIONS	DWN BY	DATE



Net weight:75 Kg

DO NOT SCALE DRAWING						PROJECTION					
TOLERANCE ALL DIM. ARE IN:mm						MODEL: SZ-4S1			DATE:		
±	0	3	6	30	120	315	PART NAME: Bracket		S-PATH:		
	<~<	<~<	<~<	<~<	<~<	<	CAD FILE:		PART NO:		
A	0.05	0.1	0.15	0.2	0.3	0.4	P-E FILE:		DWG. NO:		
B	0.1	0.15	0.2	0.3	0.5	0.8	MATERIAL: Iron		FINISH:		
C✓	0.2	0.3	0.4	0.5	0.7	1.0	DWN.	CHKD.	APP.	REVISION: A0	PAGE OF
D	0.4	0.5	0.7	1.0	1.5	2.0			REMARK:		