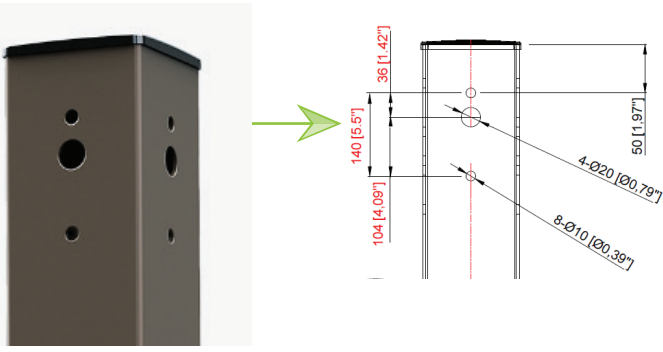
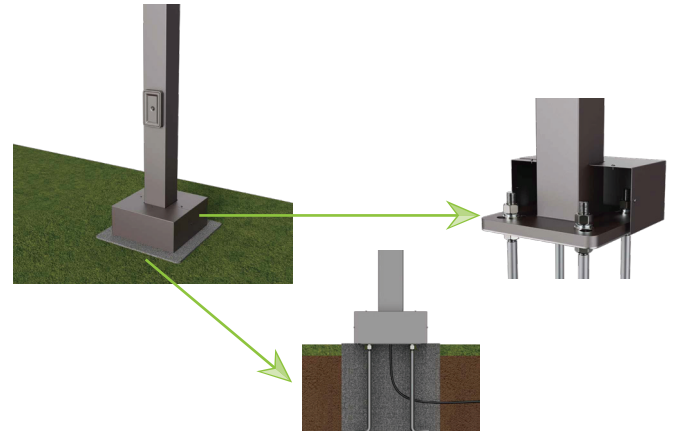




## DRILL DETAILS

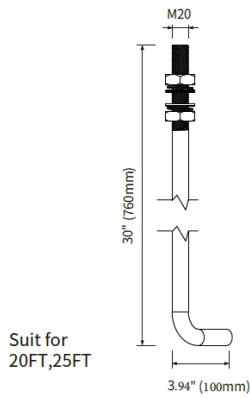


## INTERNAL DIAGRAM

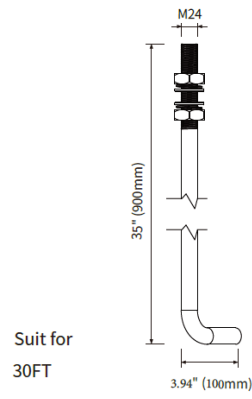


## ANCHOR BOLE

4"

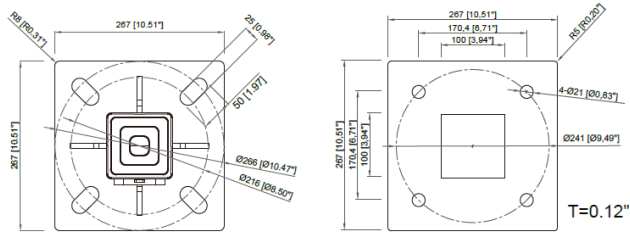


5"



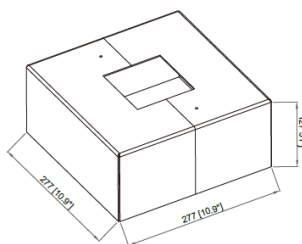
## ANCHORAGE GUIDE, POSITIONING PLATE, Base Cover

4"



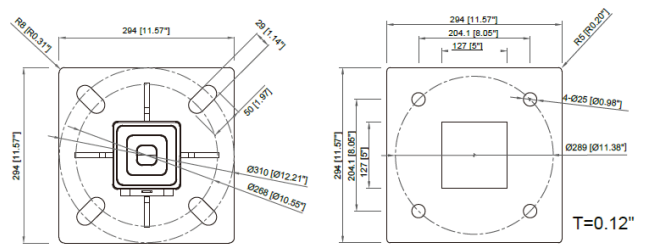
ANCHORAGE GUIDE

Anchor Bolt Positioning Plate



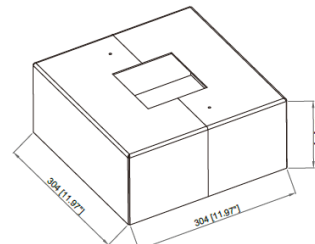
Base Cover

5"



ANCHORAGE GUIDE

Anchor Bolt Positioning Plate



Base Cover