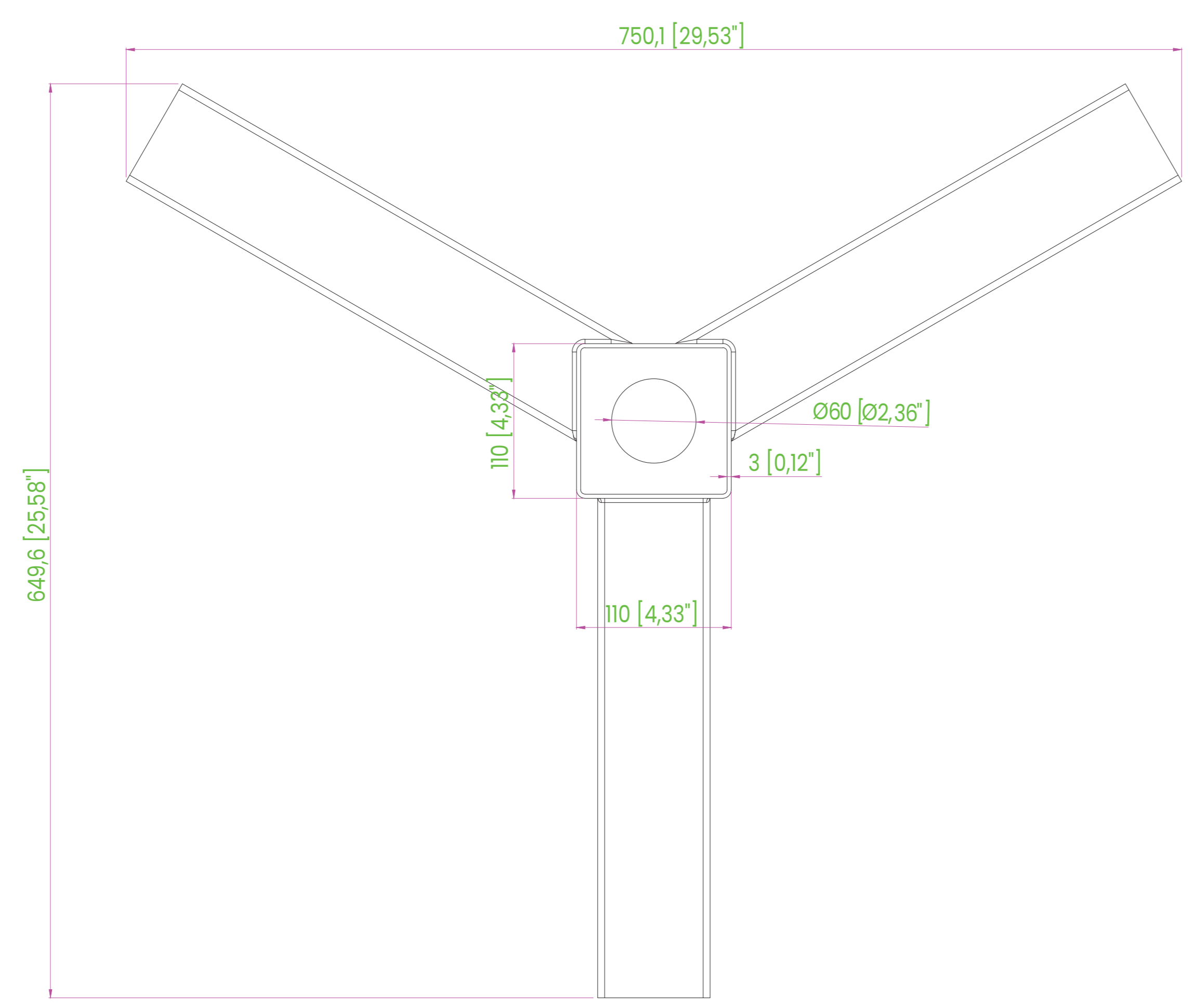
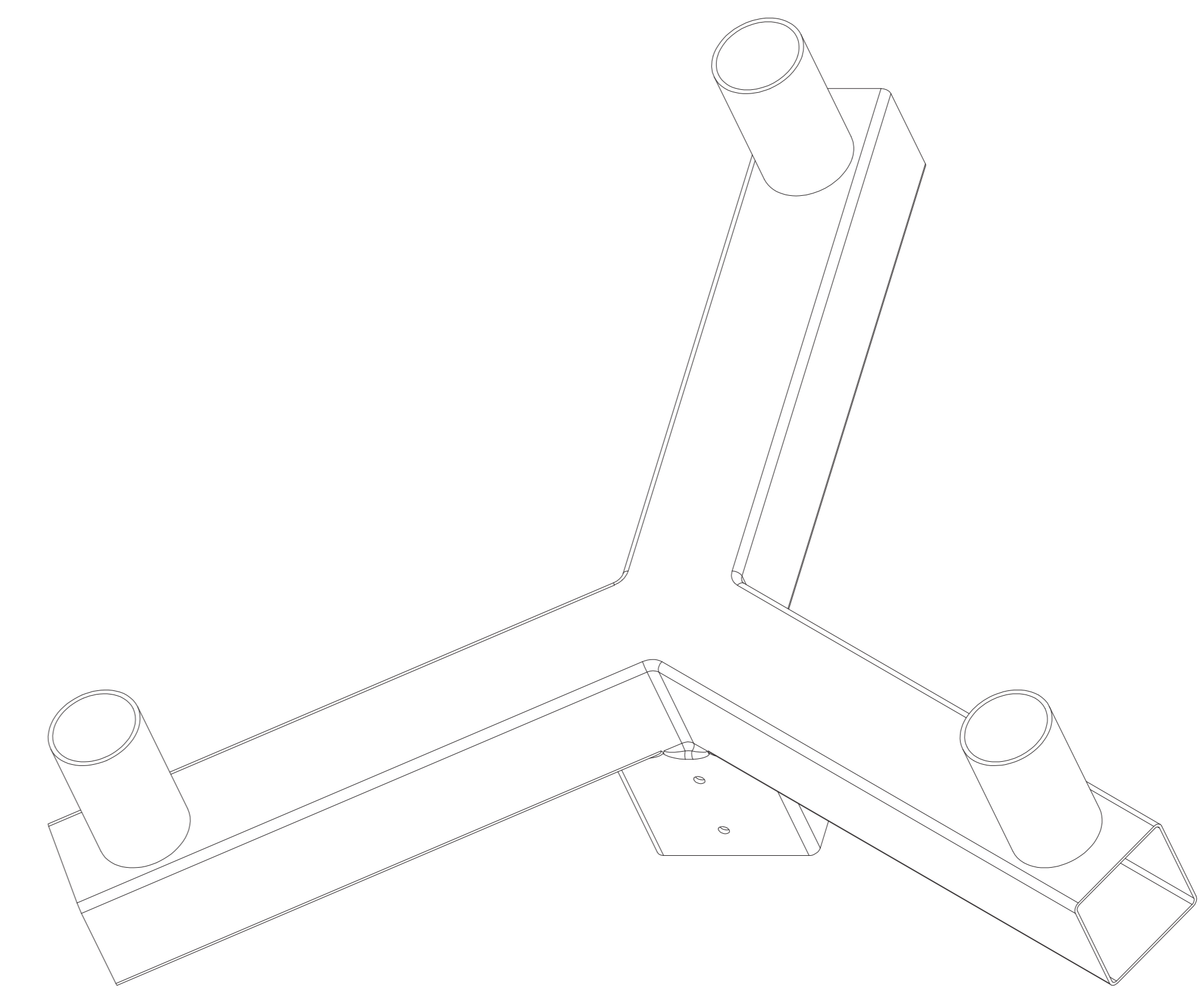
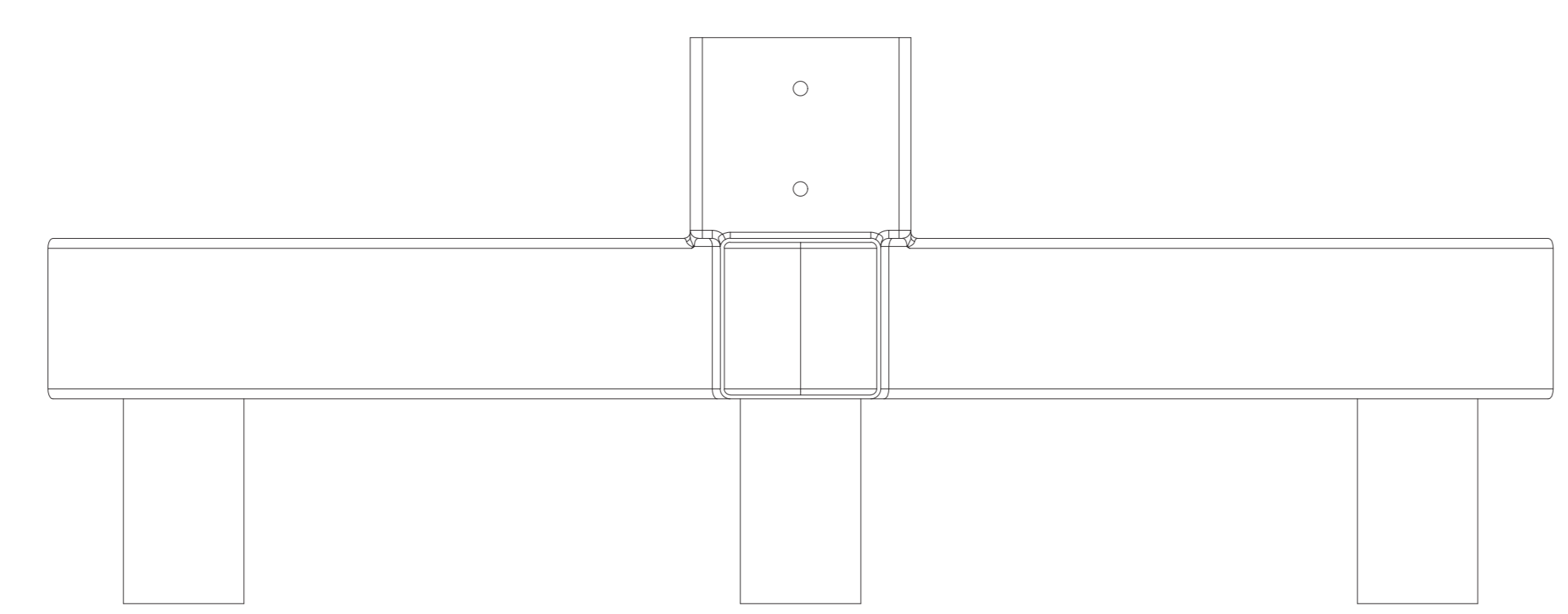
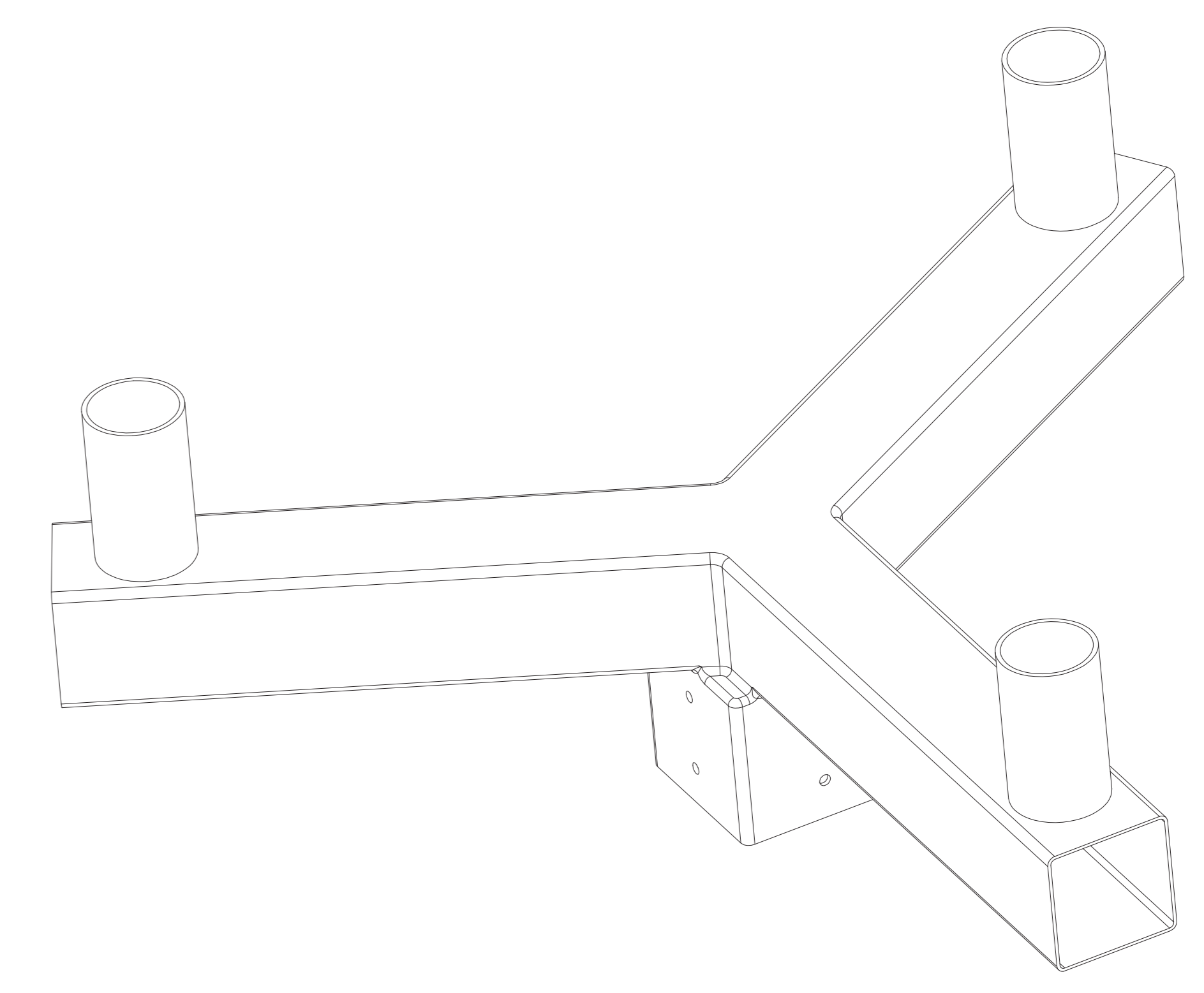
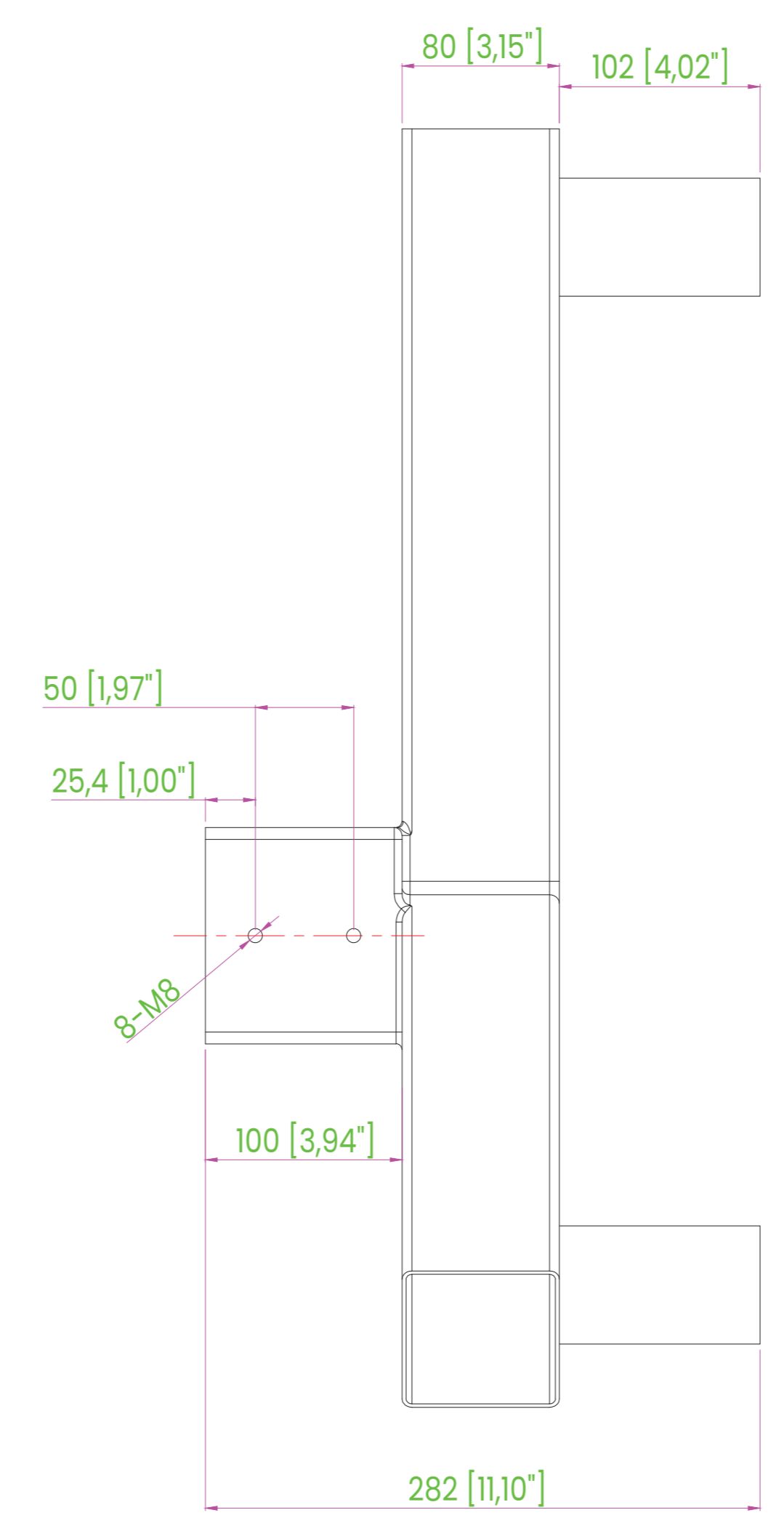
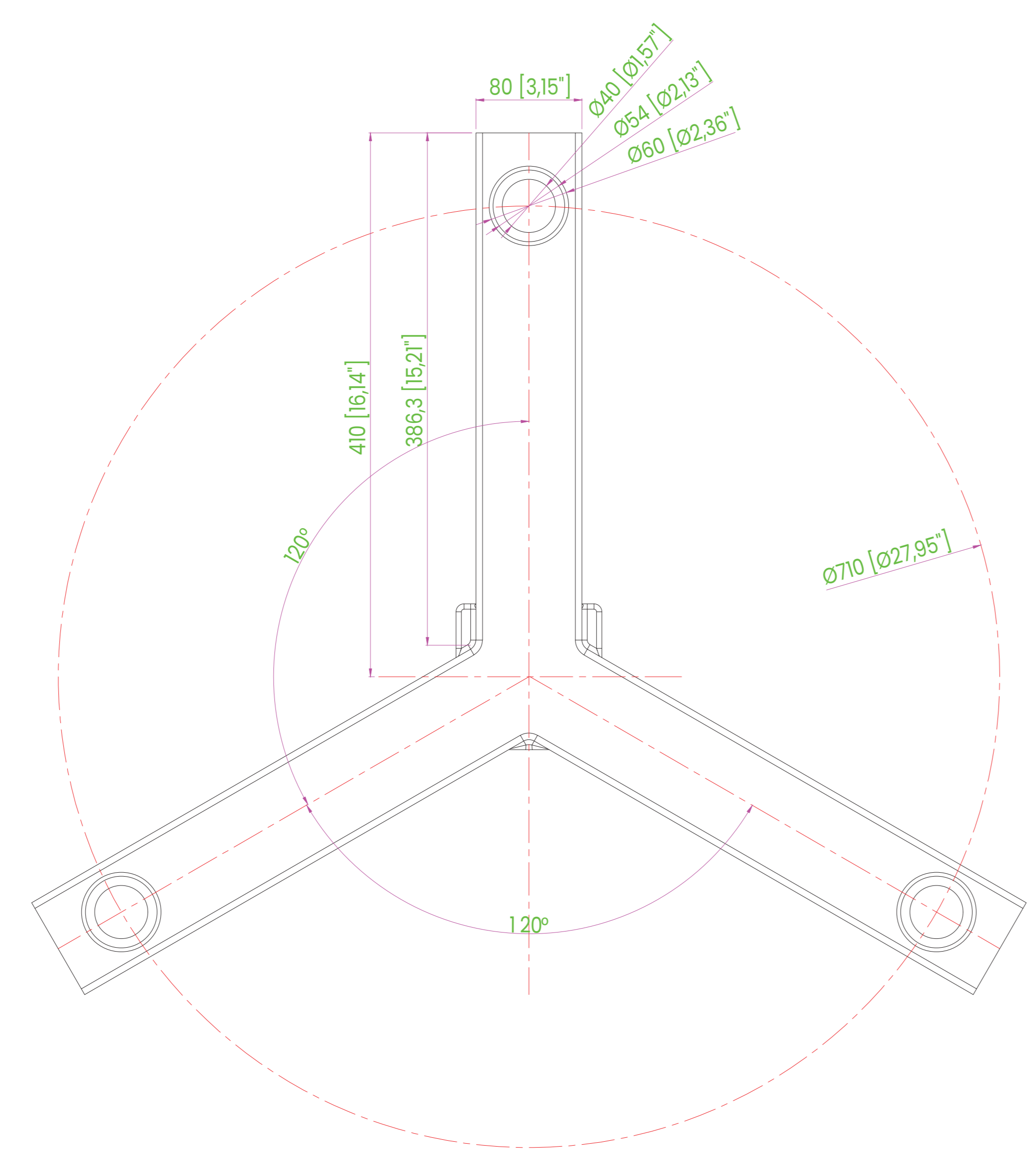


REV.	ZONE	DESCRIPTIONS	DWN BY	DATE



Net weigh 8.1 Kg

DO NOT SCALE DRAWING							PROJECTION						
TOLERANCE ALL DIM. ARE IN:mm							MODEL: SZ-4S3Y			DATE: 2024-9-26			
±	0	3	6	30	120	315	PART NAME:			S-PATH:			
	<~<	<~<	<~<	<~<	<~<	<~<	CAD FILE:						
	3	6	30	120	315	1000	P-E FILE:			DWG. NO:			
A	0.05	0.1	0.15	0.2	0.3	0.4	MATERIAL: Iron			FINISH:			
B	0.1	0.15	0.2	0.3	0.5	0.8	DWN.			CHKD.	APP.	REVISION:	PAGE OF
C	0.2	0.3	0.4	0.5	0.7	1.0				REMARK:			
D	0.4	0.5	0.7	1.0	1.5	2.0							