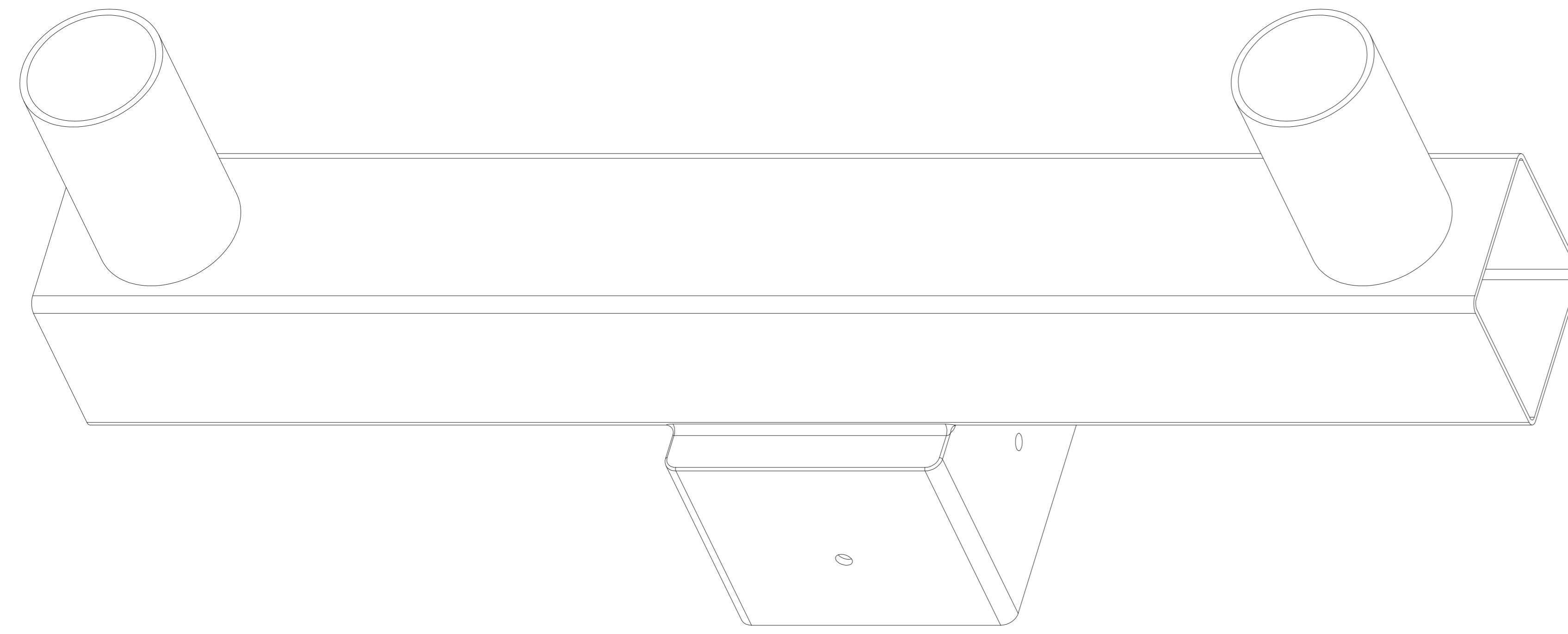
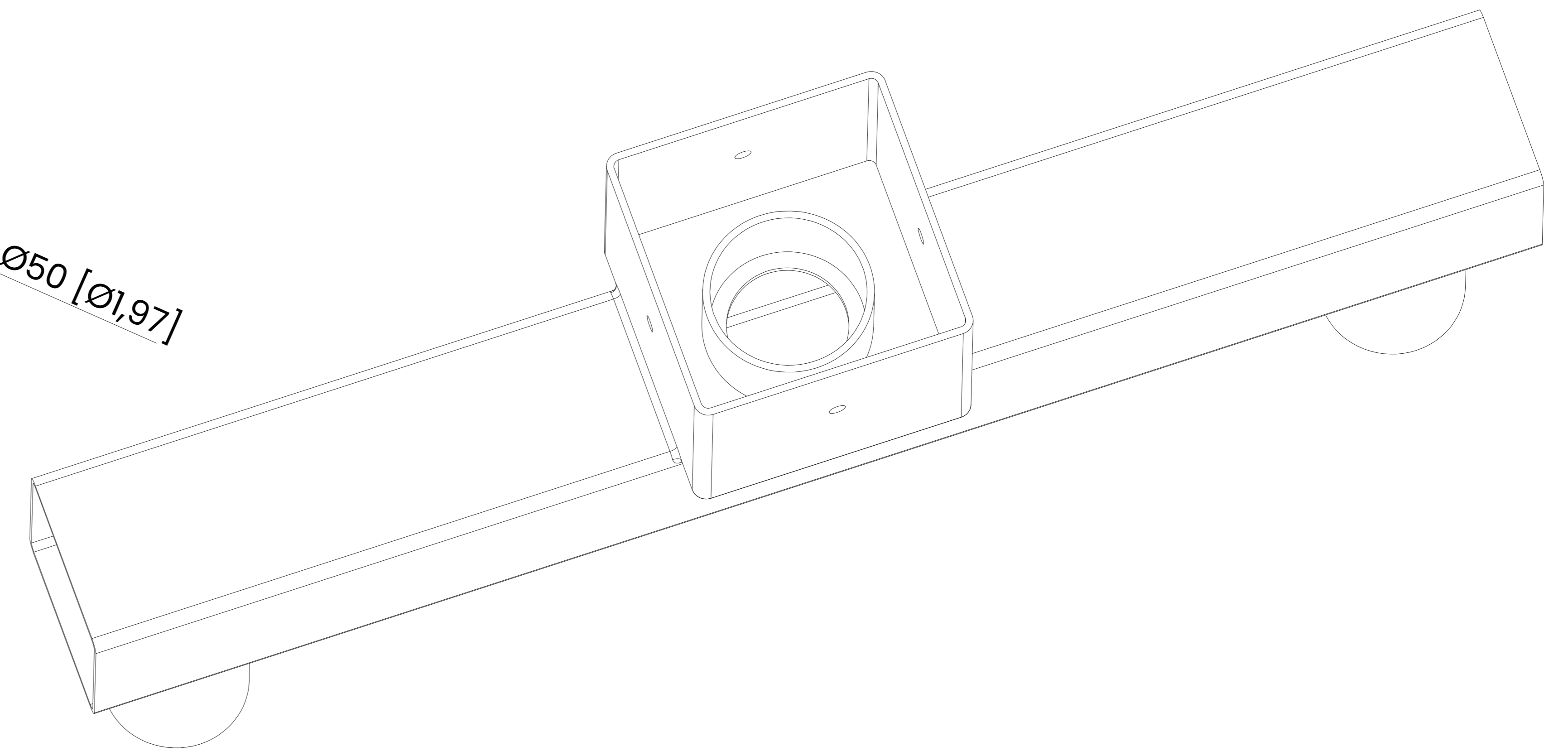
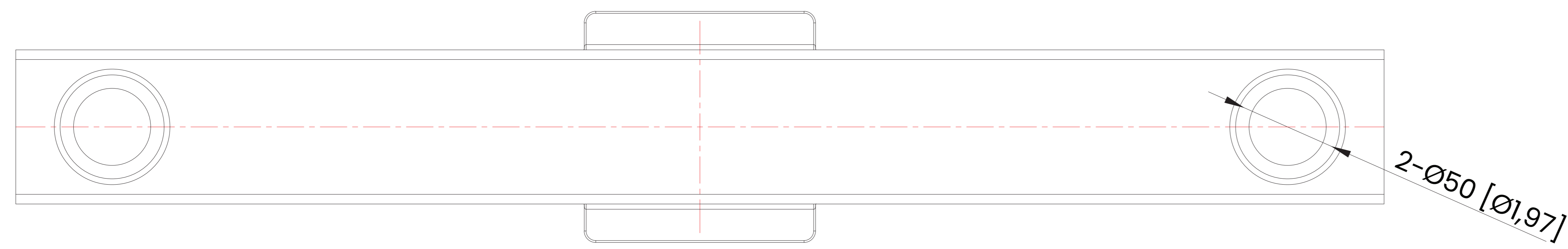
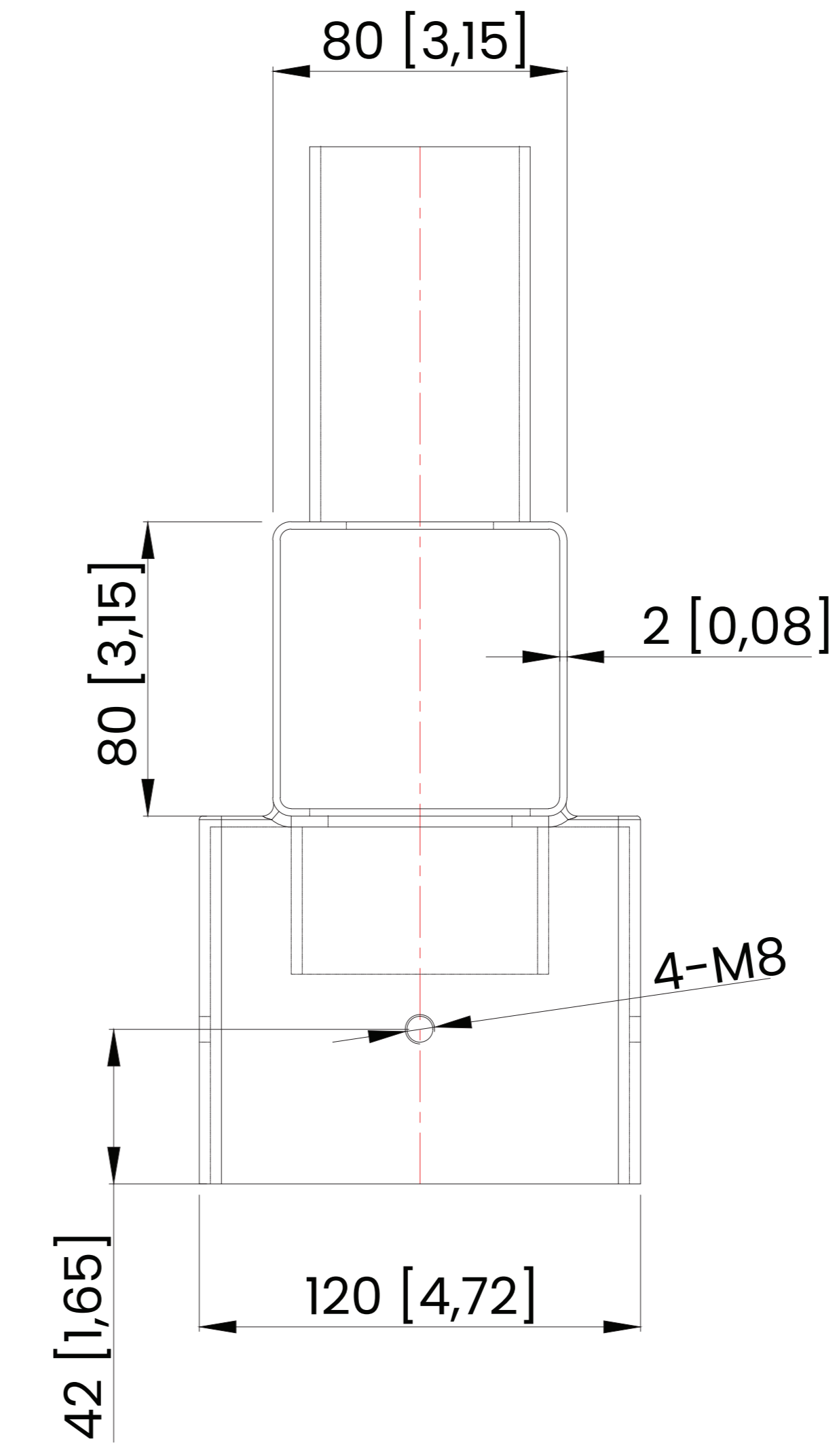
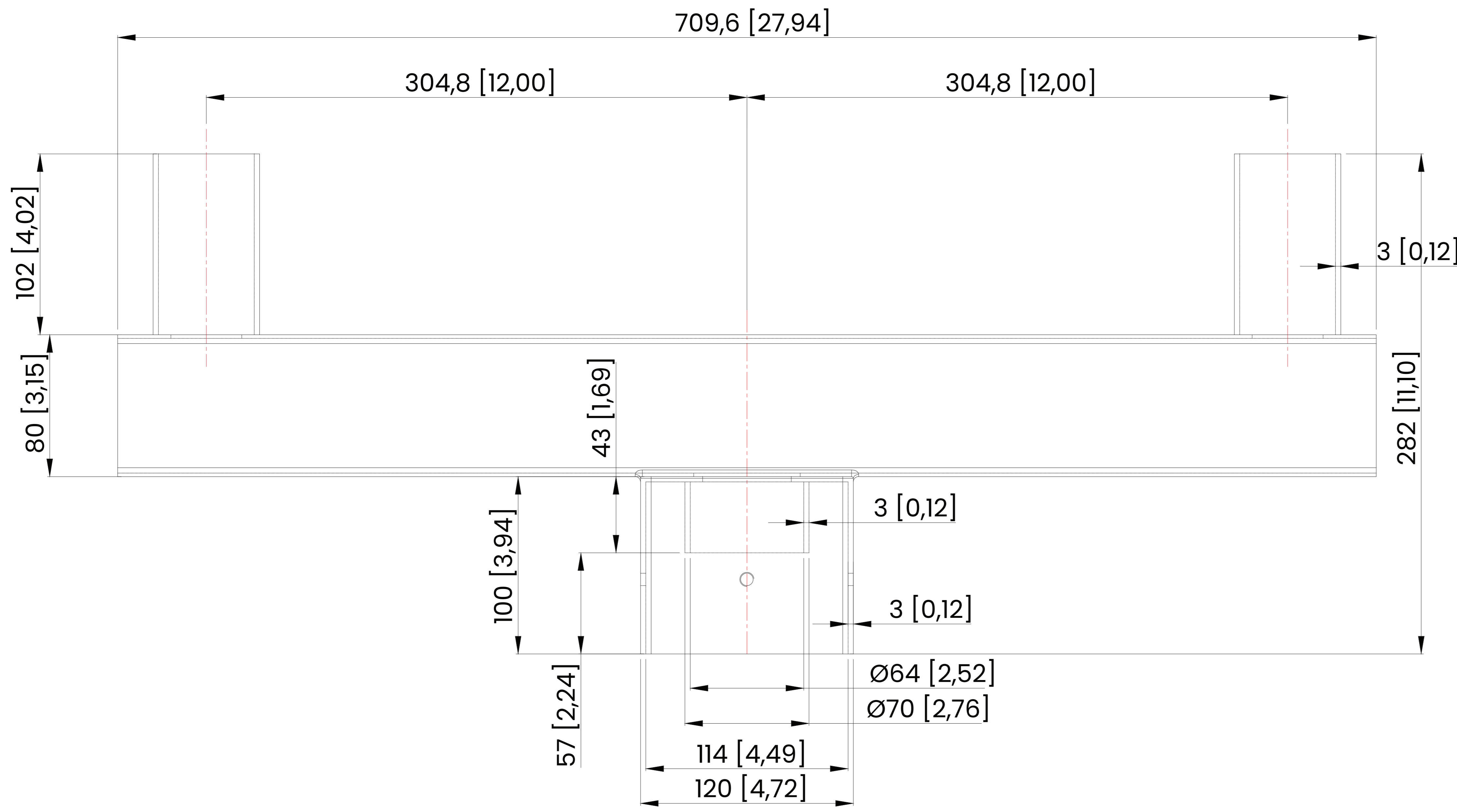


REV.	ZONE	DESCRIPTIONS	DWN BY	DATE



Net weight: 7.5Kg

DO NOT SCALE DRAWING						PROJECTION					
TOLERANCE ALL DIM. ARE IN:mm						MODEL: SZ-4SR2			DATE: 2025-3-26		
±	0	3	6	30	120	315	PART NAME: Bracket			S-PATH:	
	<~<	<~<	<~<	<~<	<~<	<	CAD FILE:			PART NO:	
	3	6	30	120	315	1000	P-E FILE:			DWG. NO:	
A	0.05	0.1	0.15	0.2	0.3	0.4	MATERIAL: Iron			FINISH:	
B	0.1	0.15	0.2	0.3	0.5	0.8	DWN.	CHKD.	APP.	REVISION: A0	PAGE OF
C ✓	0.2	0.3	0.4	0.5	0.7	1.0				REMARK:	
D	0.4	0.5	0.7	1.0	1.5	2.0					