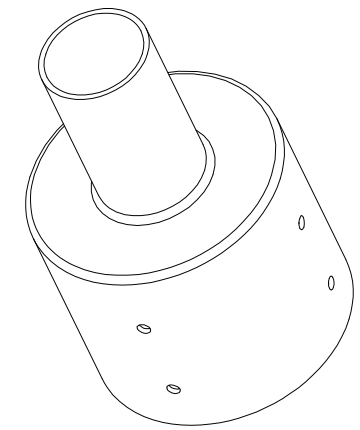
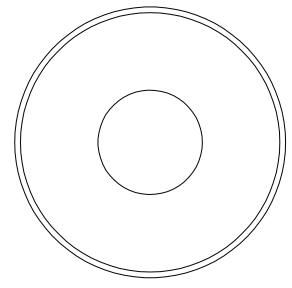
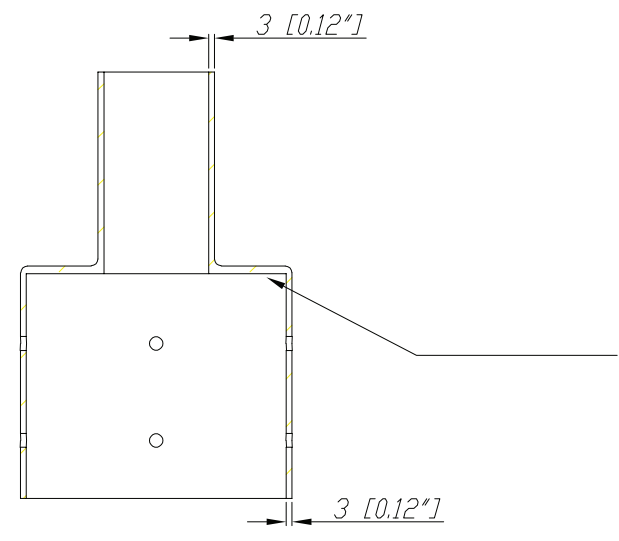
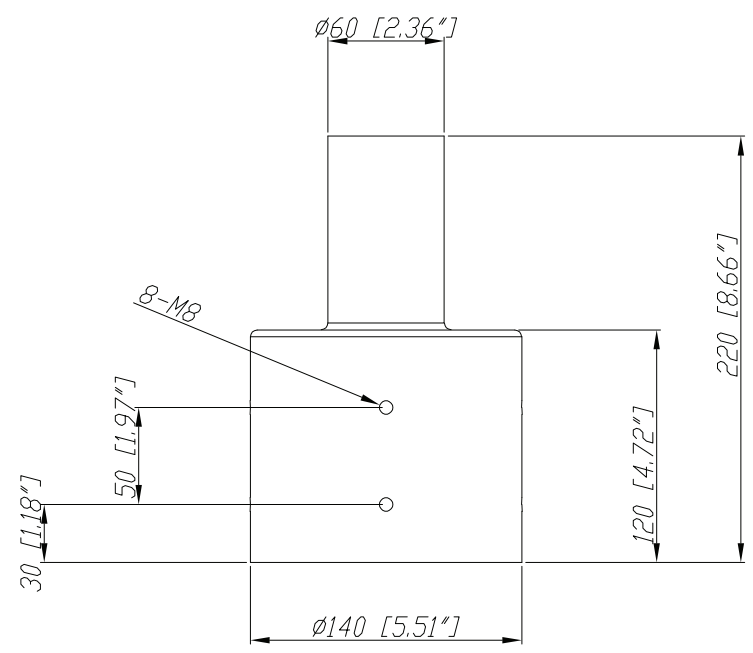


		A		
REV.	ZONE	DESCRIPTIONS	DWN BY	DATE



Net weight: 2.45Kg

DO NOT SCALE DRAWING		PROJECTION		
TOLERANCE ALL DIM. ARE IN:mm		MODEL: SZ-5R-1R	DATE:	
±	0 3	3 6	6 30	30 120
	0.05	0.1	0.15	0.2
A	0.1	0.15	0.2	0.3
B	0.2	0.3	0.4	0.5
C	0.3	0.4	0.5	0.7
D	0.4	0.5	0.7	1.0
				2.0
PART NAME: Bracket		S-PATH:		
CAD FILE:		PART NO:		
P-E FILE:		DWG. NO:		
MATERIAL: Iron		FINISH:		
DWN. YWP	CHKD.	APP.	REVISION:	PAGE 1 OF 1
REMARK:				