

Architectural LED Linear Fixture



Options



Standard: Integrated down lighting

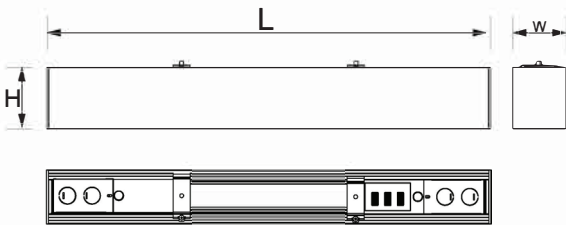


Standard: Integrated up/down lighting



Optional: Know-down modular of Up Lighting

Product Dimension

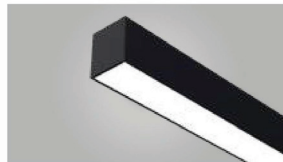


	Size
2FT	575x70x80(mm)/22.63" x2.75" x3.15"
4FT	1150x70x80(mm)/45.28" x2.75" x3.15"
8FT	2300x70x80(mm)/90.55" x2.75" x3.15"

Finish Options



White



Black

Housing Material: Aluminum

Optics: PS Lens

Finish: White, Black

Specification

Model	Power	Input Voltage	Housing color	Luminous Efficacy	CCT	Viewing Angle	Ra	PF	Warranty	Emergency Power	Emergency Time
SZ-ALF25W-2FTX-ACP(X)	15/20/25W	AC120-277V	White or Black	115lm/w	3500K	120°	>80	>0.9	5 years	8w	90Minutes
SZ-ALF50W-4FTX-ACP(X)	30/40/50W				4000K						
SZ-ALF80W-8FTX-ACP(X)	50/64/80W				5000K						

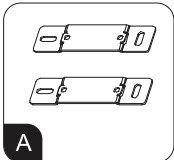
! Risk of fire and electricity The installation must be done by electricians or professionals Turn off the power supply before operation.

Surface Mounting

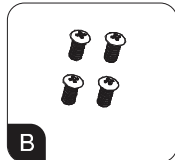
➤ Safety Instructions

1. Read this instruction carefully before installation
2. Installation should be in accordance with national and local electrical laws and regulations
3. Product should installed by qualified and licensed electrician
4. Do not install in humid places, for dry and non-humid environments only.
5. Always turn off the power supply before installation or maintenance
6. To reduce the risk of fire and overheating, make sure all connections are tight
7. Fixtures should not covered with thermal insulation pads or similar materials at any circumstance
8. Do Not use out doors

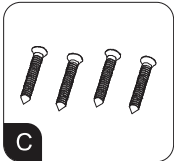
➤ Parts List:



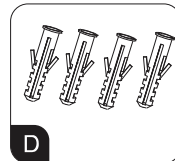
Surface-mounted Brackets



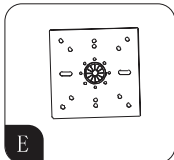
Short Screws



Long Screws

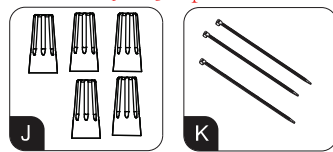


Anchors



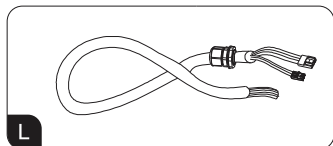
Square Plate

Driver's wires package(OPTIONAL)



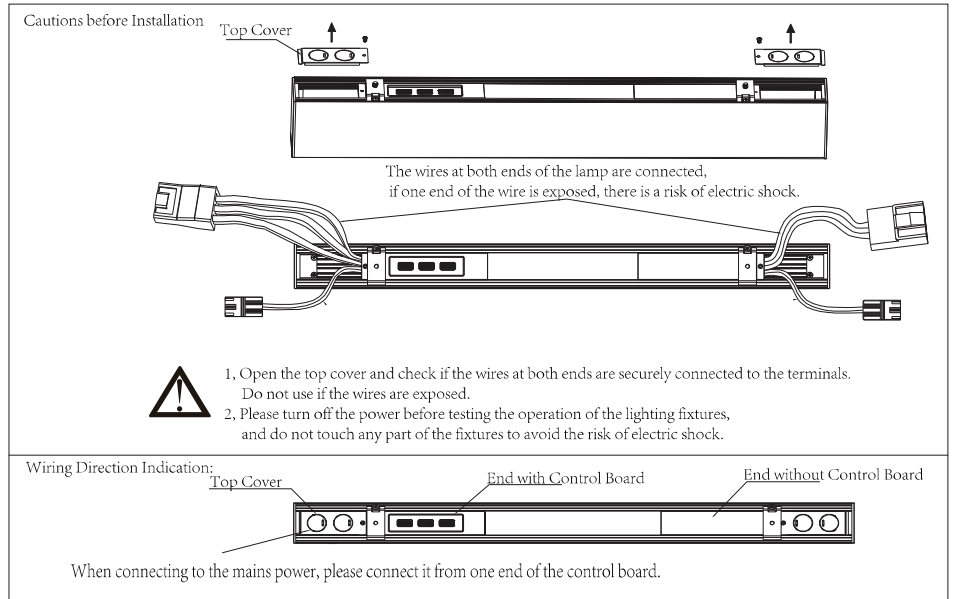
Wire Nuts

Ties

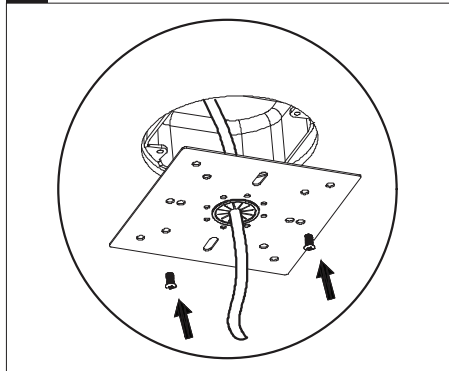


Wires accessories

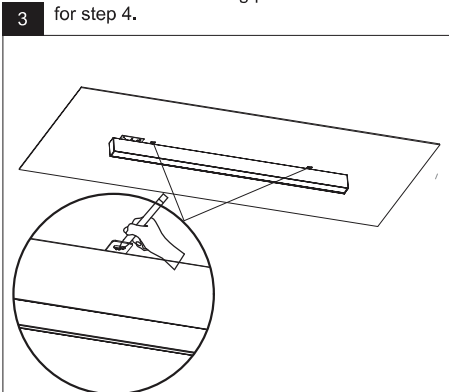
Mounting Steps



1 Attached square plate onto the junction-box with screws



Put and press the fixture onto mounting surface, then mark the mounting positions from brackets for step 4.



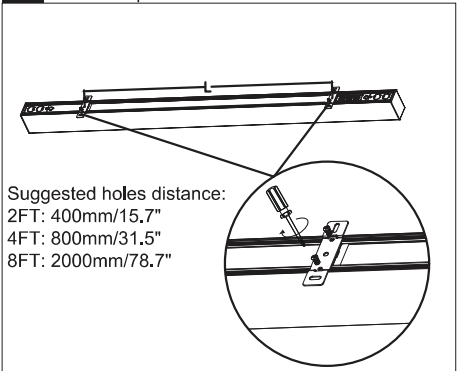
5 Cut off the corresponding terminals as required.

Three-position terminal: BLACK (LINE)
WHITE (NEUTRAL)
GREEN (GRD)

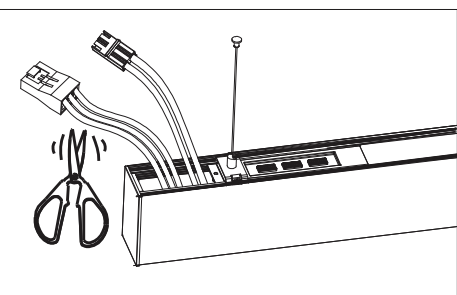
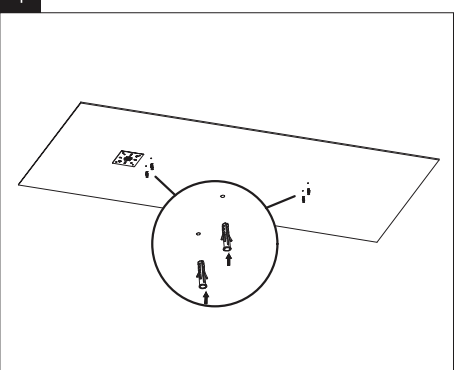
Two terminal: PURPLE (DIM +)
PINK (DIM -)

1. After cutting off the connecting terminals, the lighting fixture will no longer be able to link with other fixtures through terminals.
2. After cutting the wires, please ensure proper protection and labeling, and avoid using them for secondary wiring.

2 Fix the 2 surface-mounted brackets to fixture back with provided short screws

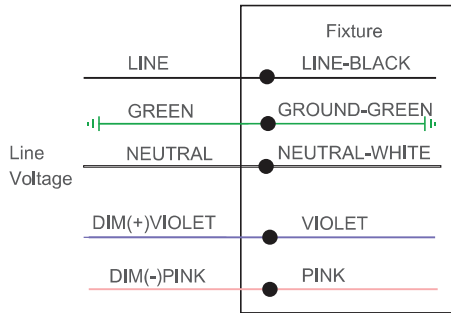


4 Drill the holes according to the marks and insert the anchors



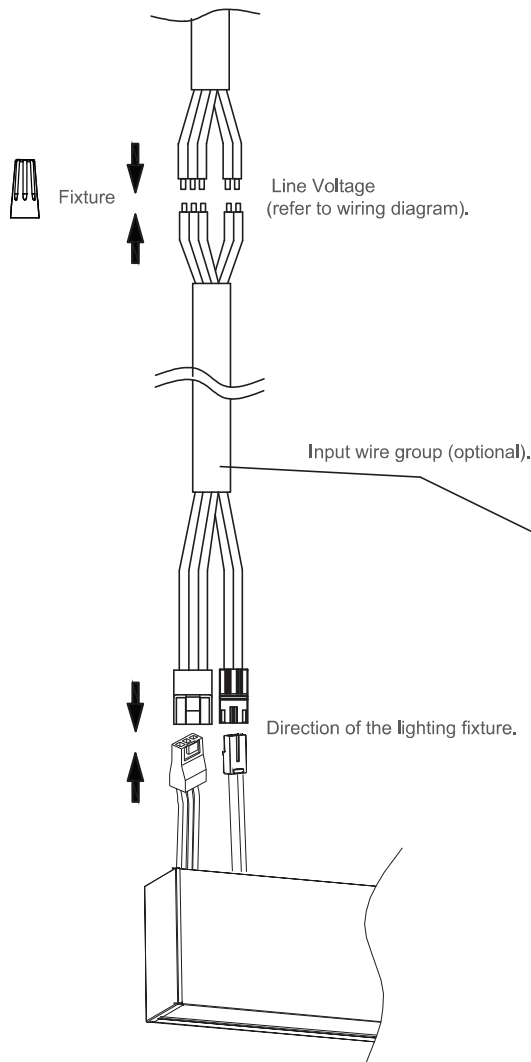
! Risk of fire and electricity The installation must be done by electricians or professionals Turn off the power supply before operation.

Wiring Diagram



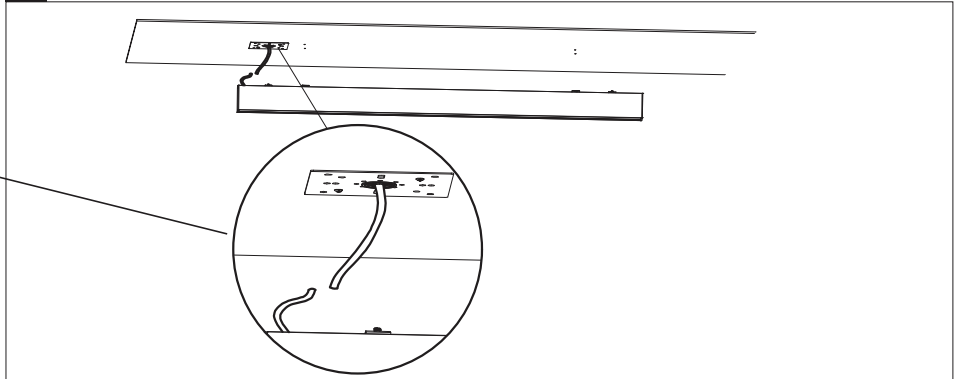
- !**
1. If dimming is not used, please separate the dimming wires with nuts.
 2. Wiring must follow up the wiring diagram.
 3. Remind again: Cut off the power supply before operation.

Wiring Diagram

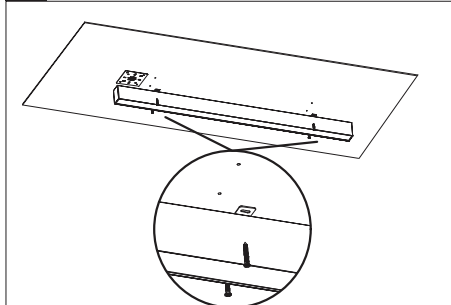


Three terminals: neutral wire, live wire, ground wire
Two terminals: DMI+ (purple), DIM- (pink)

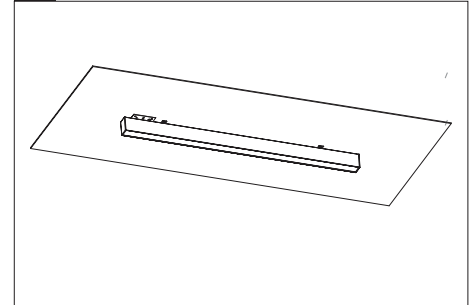
6 Make wiring according to wiring diagram , screw back the cover.



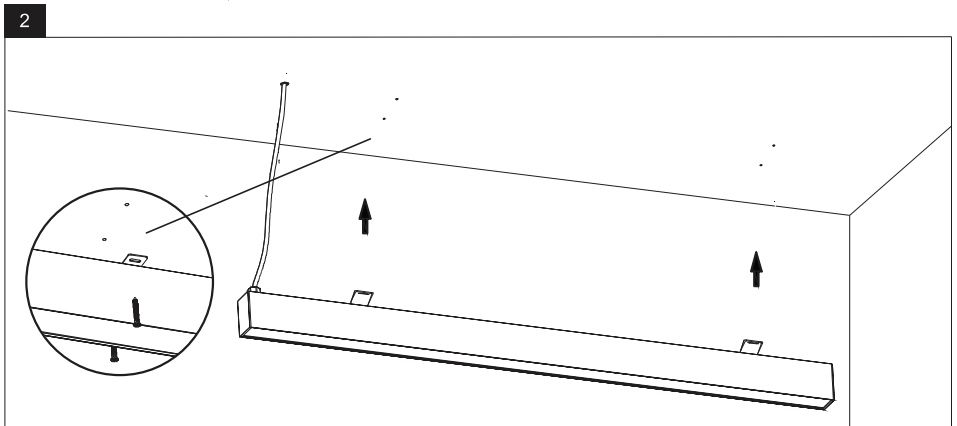
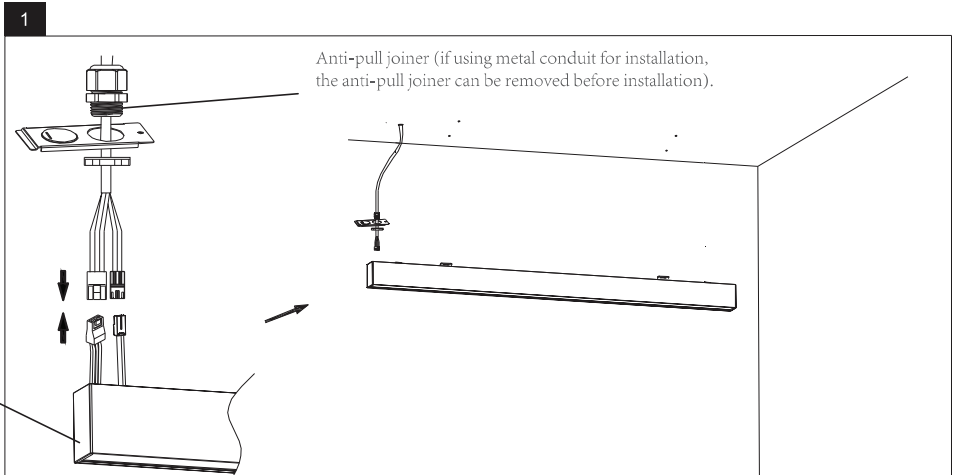
7 Secure the fixture to the mounting surface with long screws.



8 Installation completed.



Input wire group (optional).



! Risk of fire and electricity The installation must be done by electricians or professionals Turn off the power supply before operation.

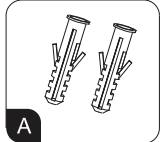
Pendant Mounting

Safety Instructions

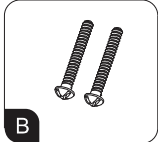
- 1, Read this instruction carefully before installation
- 2, Installation should be in accordance with national and local electrical laws and regulations
- 3, Product should installed by qualified and licensed electrician
- 4, Do not install in humid places, for dry and non-humid environments only.
- 5, Always turn off the power supply before installation or maintenance
- 6, To reduce the risk of fire and overheating, make sure all connections are tight
- 7, Fixtures should not covered with thermal insulation pads or similar materials at any circumstance
- 8, Do Not use out doors

Parts List

Hanging plate accessories



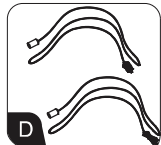
Expanding rubber stopper



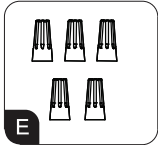
Long screws



Mounting part

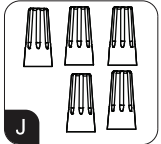


Sling assembly

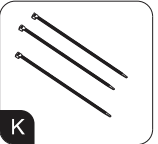


Wire Nuts

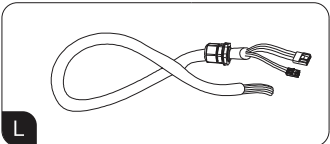
Driver's wires package(optional)



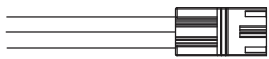
Wire Nuts



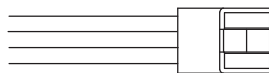
Ties



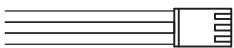
Wires accessories



orange terminal
DIM+(Purple)
DIM-(Pink)



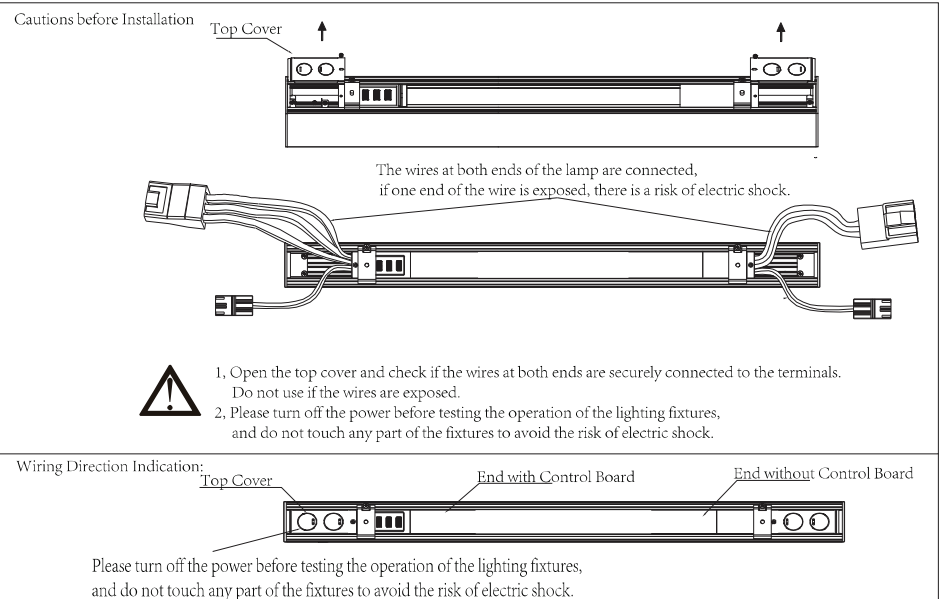
Yellow terminal
L(Black)
Ground wire (Green)
N(White)



white terminal

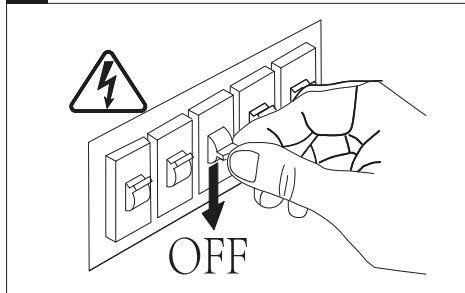
Wiring for connection parts

Function description of the control board

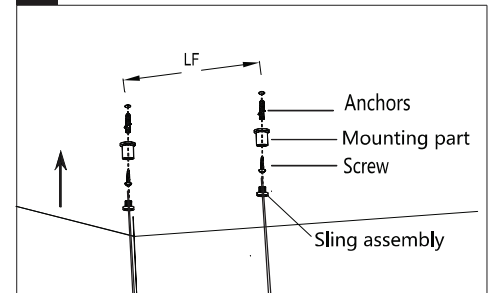


Mounting Steps

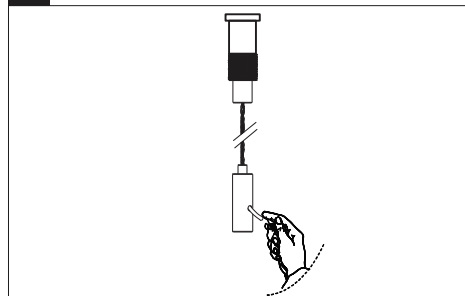
1 Turn off the power.



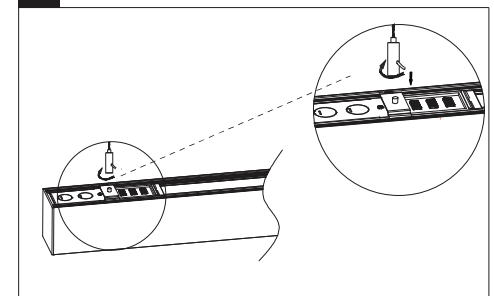
2 Fixing the hook and suspending the lamp.



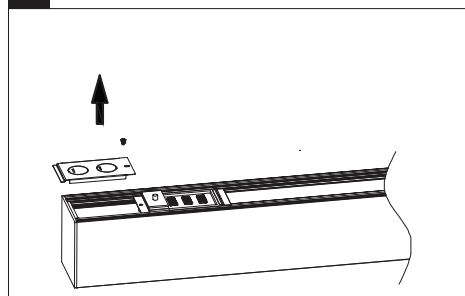
3 Adjusting the hanging rope length.



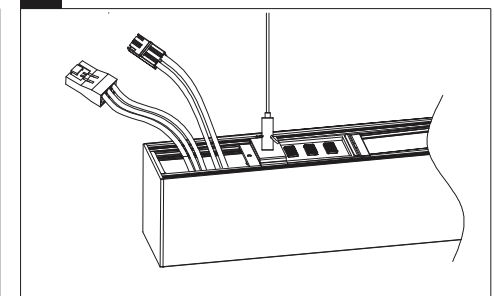
4 Use M5 square screw and M5 fixed head to fix LED strip light.



5 Open the end of the lamp to be connected.



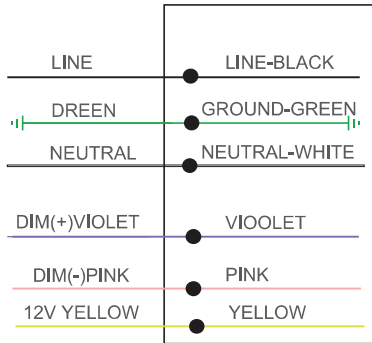
6 Take out wire.





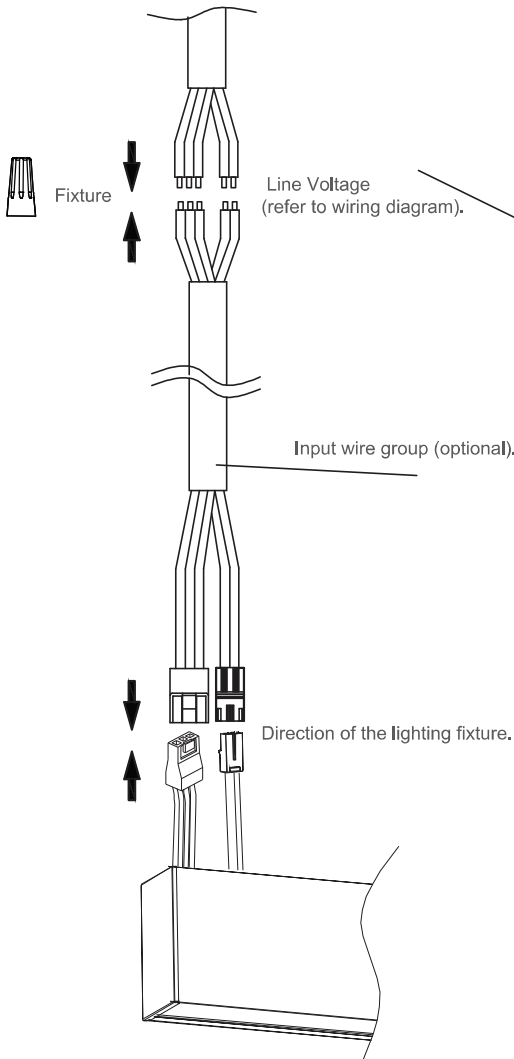
Risk of fire and electricity The installation must be done by electricians or professionals Turn off the power supply before operation.

Wiring Diagram



1. If dimming is not used, please separate the dimming wires with nuts.
2. Wiring must follow up the wiring diagram.
3. Remind again: Cut off the power supply before operation.

Wiring Diagram



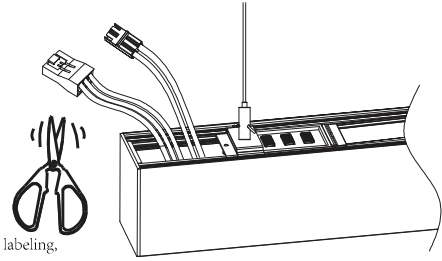
Three terminals: neutral wire, live wire, ground wire
Two terminals: DIM+ (purple), DIM- (pink)

7 Cut off the corresponding terminals as required.

Three-position terminal: BLACK (LINE)
WHITE (NEUTRAL)
GREEN (GRD)

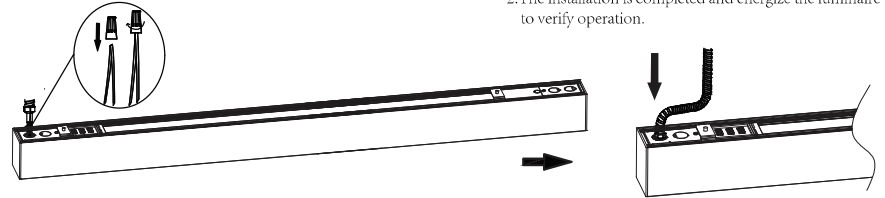
Two terminal: PURPLE (DIM +)
PINK (DIM -)

1. After cutting off the connecting terminals, the lighting fixture will no longer be able to link with other fixtures through terminals.
2. After cutting the wires, please ensure proper protection and labeling, and avoid using them for secondary wiring.



8 Turn off the power and wiring by using wire nut.

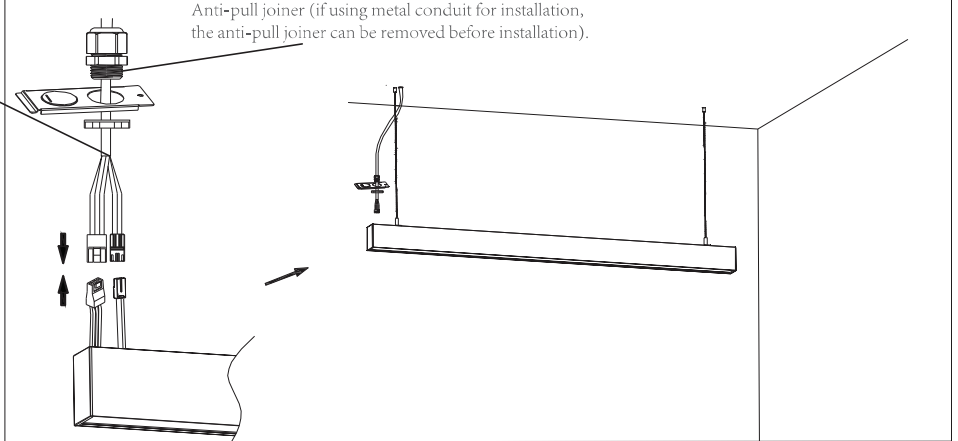
1. Insert the terminal block and wires into the lamp housing.
2. The installation is completed and energize the luminaire to verify operation.



Input wire group (optional).

1

Anti-pull joiner (if using metal conduit for installation, the anti-pull joiner can be removed before installation).



⚠ Risk of fire and electricity The installation must be done by electricians or professionals Turn off the power supply before operation.

Recessed Mounting for Drywall Ceiling

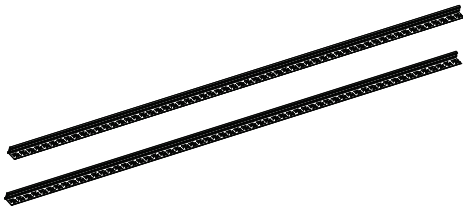
➡ Safety Instructions

1. Read this instruction carefully before installation
2. Installation should be in accordance with national and local electrical laws and regulations
3. Product should installed by qualified and licensed electrician
4. Do not install in humid places, for dry and non-humid environments only.
5. Always turn off the power supply before installation or maintenance
6. To reduce the risk of fire and overheating, make sure all connections are tight
7. Fixtures should not covered with thermal insulation pads or similar materials at any circumstance
8. Do Not use out doors

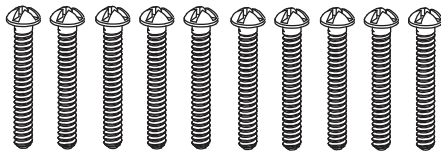
➡ Parts List:



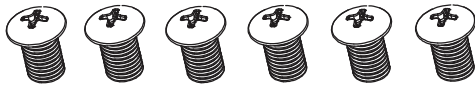
Pre-buried Cantilever Section A



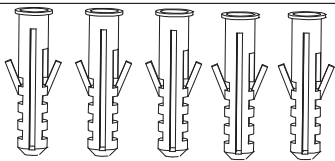
Pre-buried Cantilever Section B



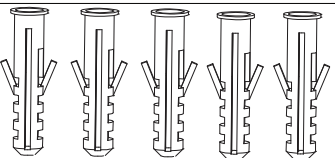
Long screw



Short screw

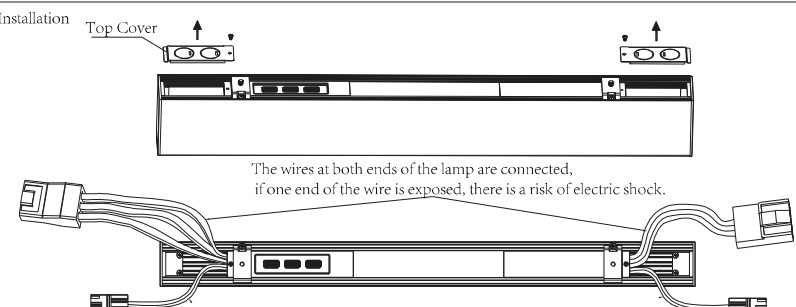


Anchors



Mounting Steps

Cautions before Installation

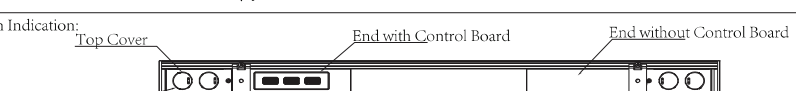


The wires at both ends of the lamp are connected, if one end of the wire is exposed, there is a risk of electric shock.

⚠

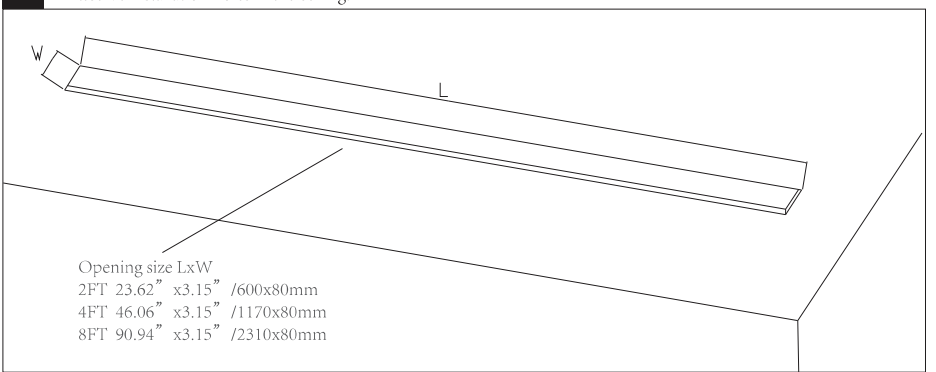
1. Open the top cover and check if the wires at both ends are securely connected to the terminals. Do not use if the wires are exposed.
2. Please turn off the power before testing the operation of the lighting fixtures, and do not touch any part of the fixtures to avoid the risk of electric shock.

Wiring Direction Indication:



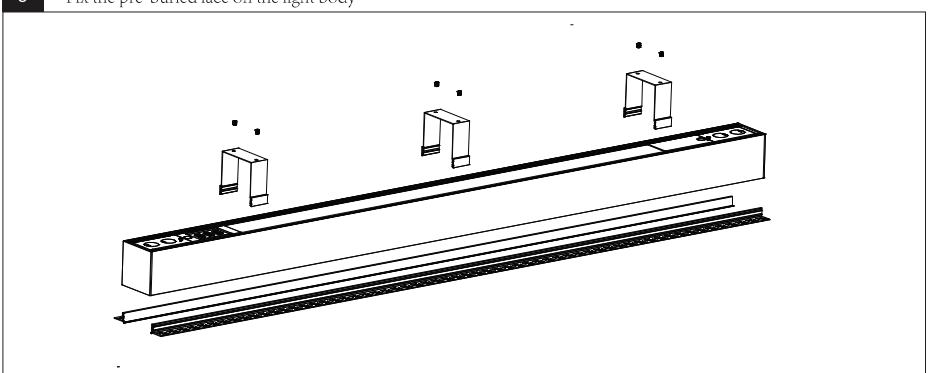
When connecting to the mains power, please connect it from one end of the control board.

1 Reserve installation holes in the ceiling.

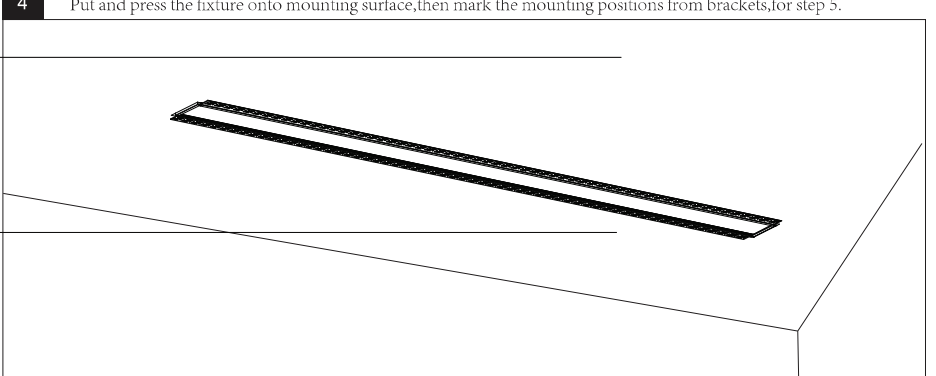


Opening size LxW
 2FT 23.62" x3.15" /600x80mm
 4FT 46.06" x3.15" /1170x80mm
 8FT 90.94" x3.15" /2310x80mm

3 Fix the pre-buried lace on the light body

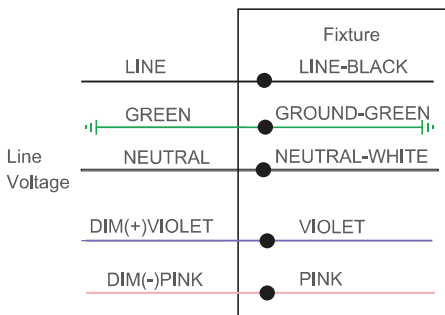


4 Put and press the fixture onto mounting surface, then mark the mounting positions from brackets, for step 5.



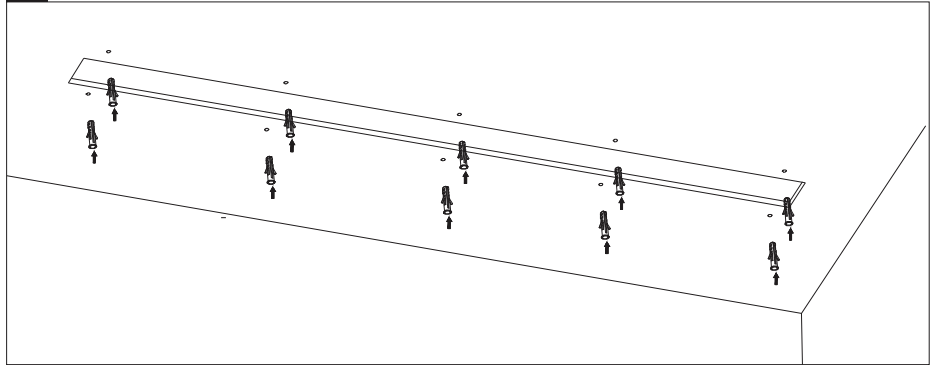
! Risk of fire and electricity The installation must be done by electricians or professionals Turn off the power supply before operation.

Wiring Diagram

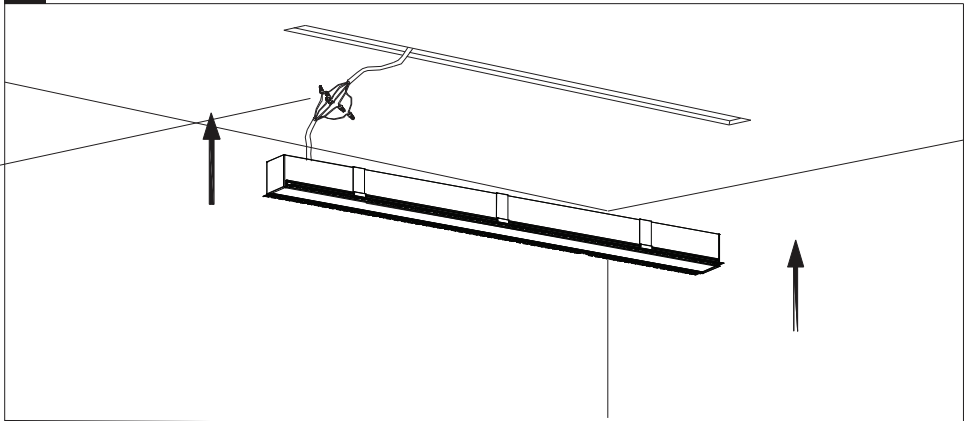


1. If dimming is not used, please separate the dimming wires with nuts.
2. Wiring must follow up the wiring diagram.
3. Remind again: Cut off the power supply

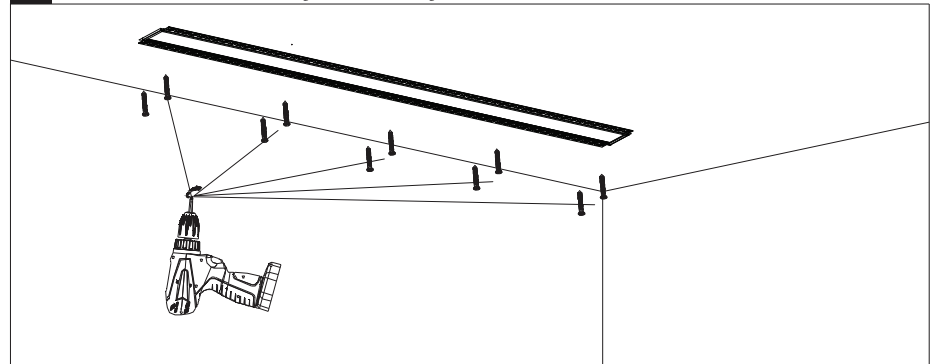
5 Drill the holes according to the marks and insert the anchors



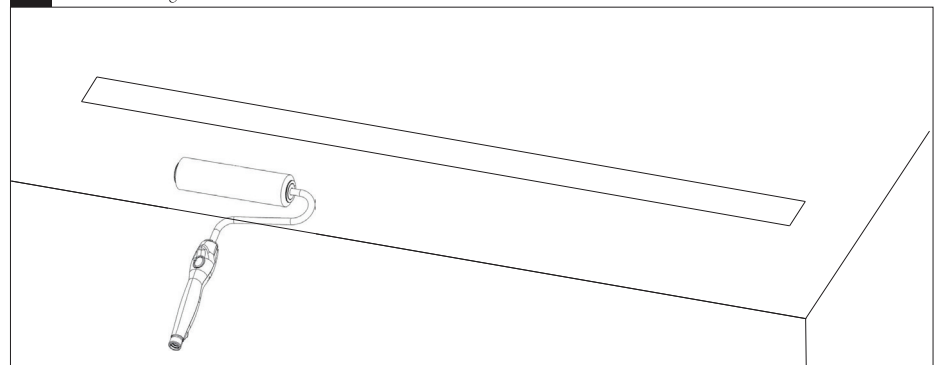
6 Cut off the fixture's connectors for wiring to line voltage if needed, make wiring according to the wiring diagram in the left.



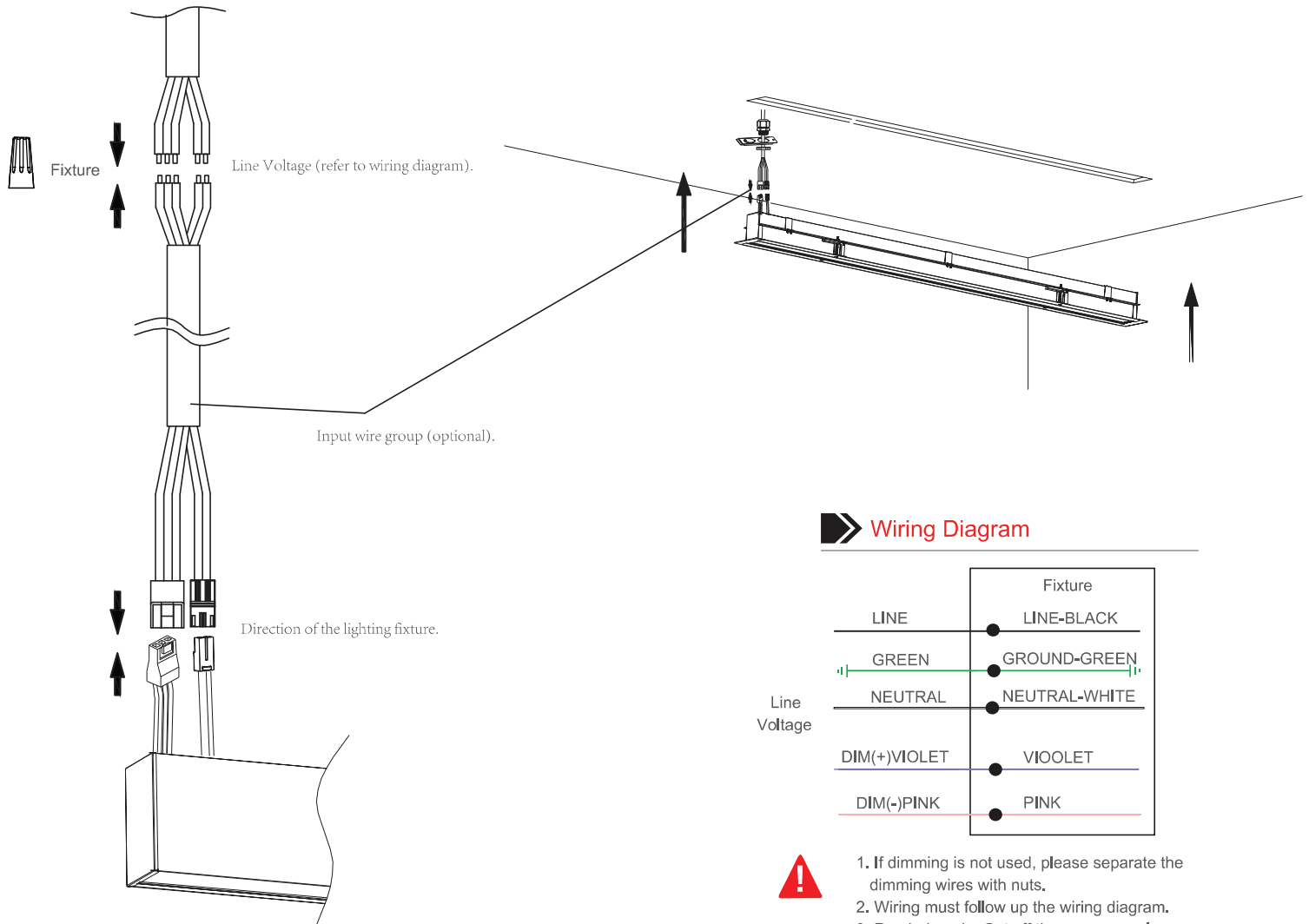
6 Secure the fixture to the mounting surface with long screws



7 Brush coating covers embedded extension



! Risk of fire and electricity The installation must be done by electricians or professionals Turn off the power supply before operation.



Three terminals: neutral wire, live wire, ground wire
Two terminals: DMI+ (purple), DIM- (pink)

Wiring Diagram

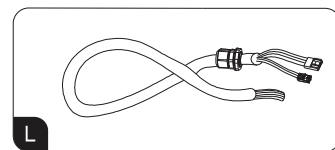
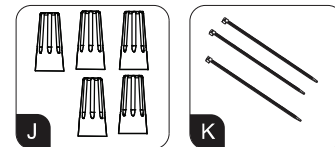
Line Voltage		Fixture
LINE	●	LINE-BLACK
GREEN	●	GROUND-GREEN
NEUTRAL	●	NEUTRAL-WHITE
DIM(+)/VIOLET	●	VIOLET
DIM(-)/PINK	●	PINK



1. If dimming is not used, please separate the dimming wires with nuts.
2. Wiring must follow up the wiring diagram.
3. Remind again: Cut off the power supply before operation.

Wiring Diagram B

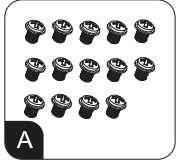
Driver's wires package(optional)



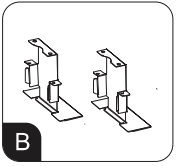
Wires accessories

! Risk of fire and electricity The installation must be done by electricians or professionals Turn off the power supply before operation.

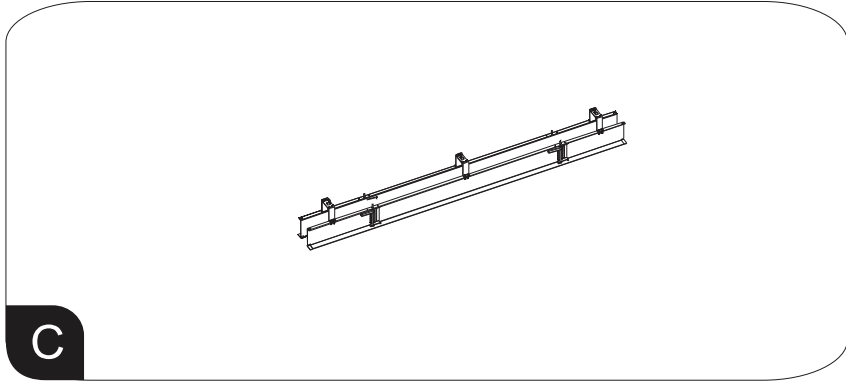
1 2FT Embedded installation accessories



A
Screws

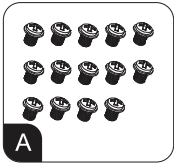


B
Embedded Side Cover

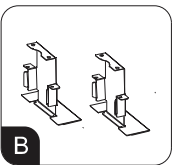


C
Embedded Mounting Bracket

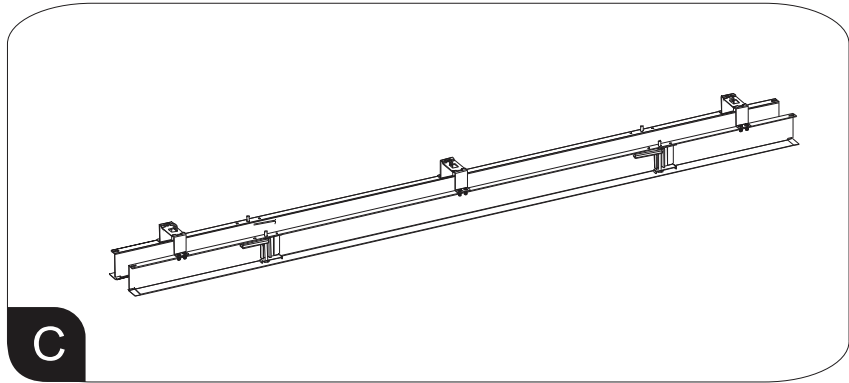
2 4FT Embedded installation accessories



A
Screws

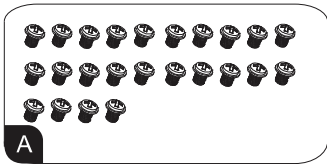


B
Embedded Side Cover

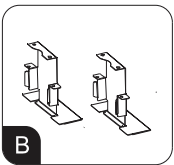


C
Embedded Mounting Bracket

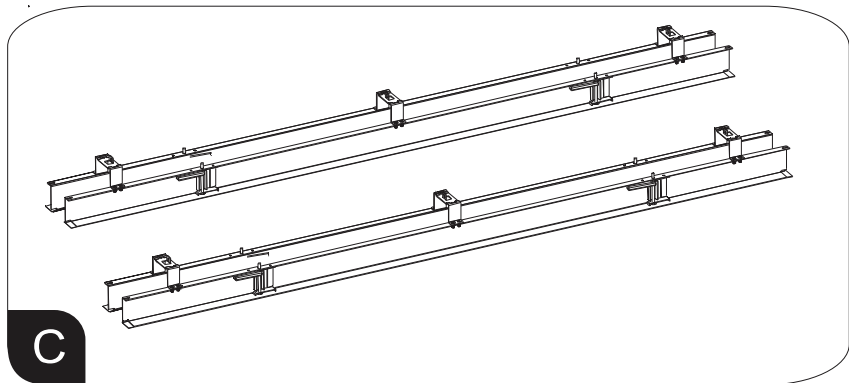
3 8FT Embedded installation accessories



A
Screws



B
Embedded Side Cover



C
Embedded Mounting Bracket

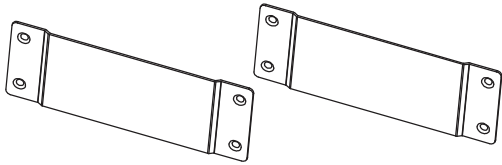
! Risk of fire and electricity The installation must be done by electricians or professionals Turn off the power supply before operation.

Wall Mounting

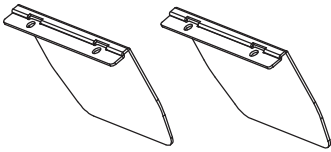
➤ Safety Instructions

- 1, Read this instruction carefully before installation
- 2, Installation should be in accordance with national and local electrical laws and regulations
- 3, Product should installed by qualified and licensed electrician
- 4, Do not install in humid places, for dry and non-humid environments only.
- 5, Always turn off the power supply before installation or maintenance
- 6, To reduce the risk of fire and overheating, make sure all connections are tight
- 7, Fixtures should not covered with thermal insulation pads or similar materials at any circumstance
- 8, Do Not use out doors

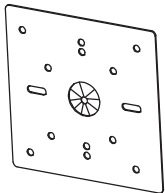
➤ Parts List:



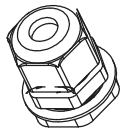
Mounting plate A



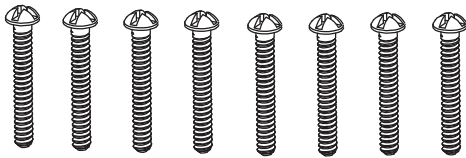
Mounting plate B



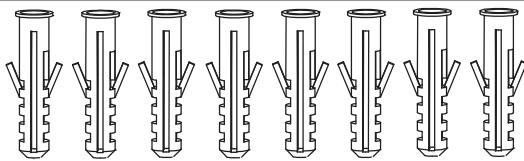
Decorative plate



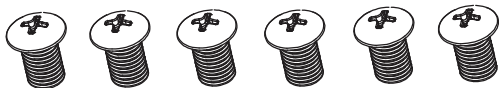
Anti-stretch head



Long screw



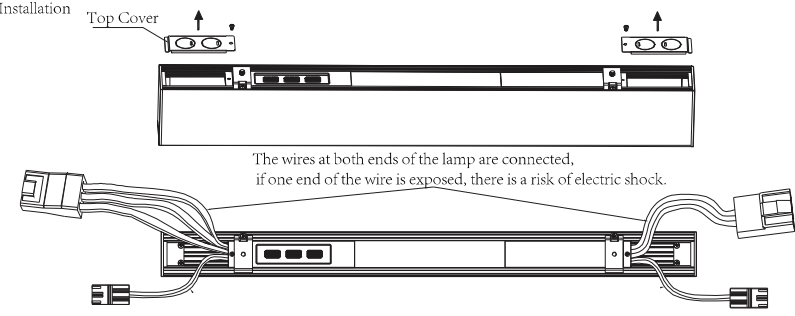
Anchors



Short screw

Mounting Steps

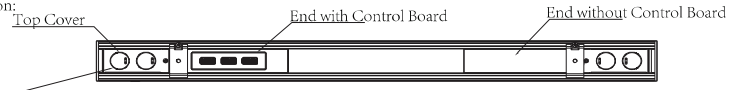
Cautions before Installation



The wires at both ends of the lamp are connected, if one end of the wire is exposed, there is a risk of electric shock.

- 1, Open the top cover and check if the wires at both ends are securely connected to the terminals. Do not use if the wires are exposed.
- 2, Please turn off the power before testing the operation of the lighting fixtures, and do not touch any part of the fixtures to avoid the risk of electric shock.

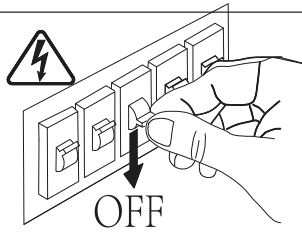
Wiring Direction Indication:



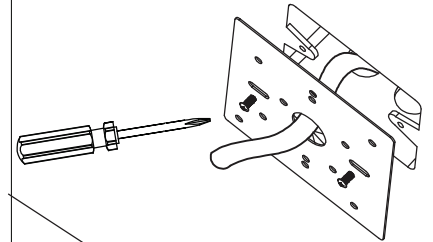
When connecting to the mains power, please connect it from one end of the control board.

Installation instructions

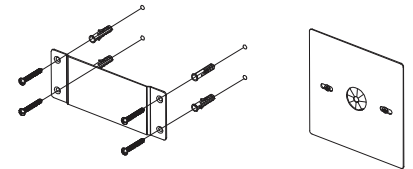
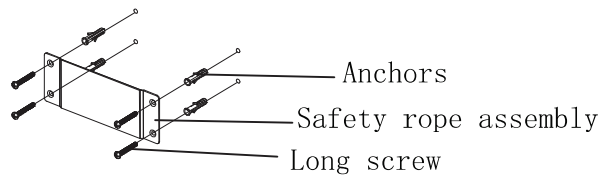
1. Turn off the power.



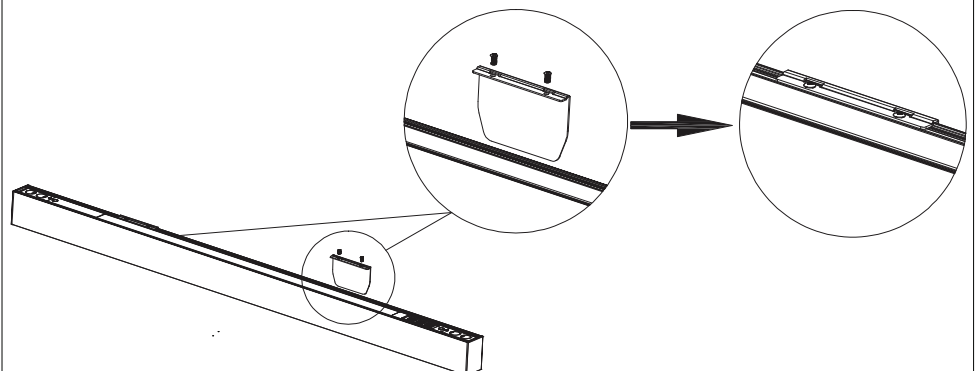
2. Pull out the wire and lock the trim.



3. Set the appropriate distance and install mounting plate A.



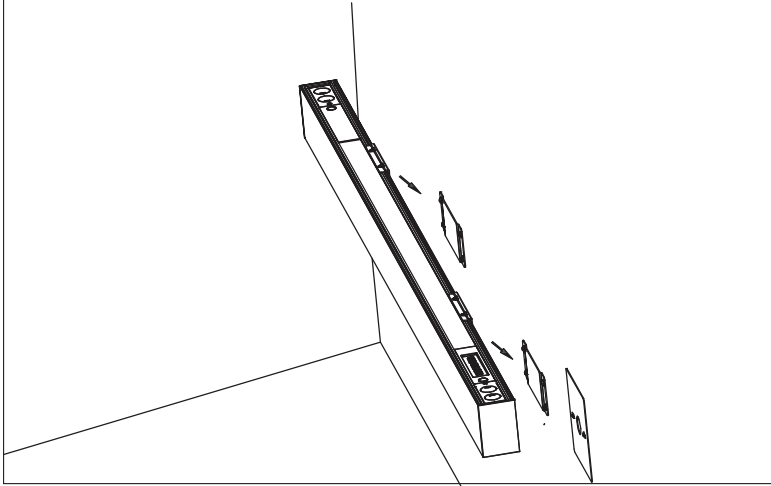
4. Install mounting board B on the lamp body according to the position of mounting board A.



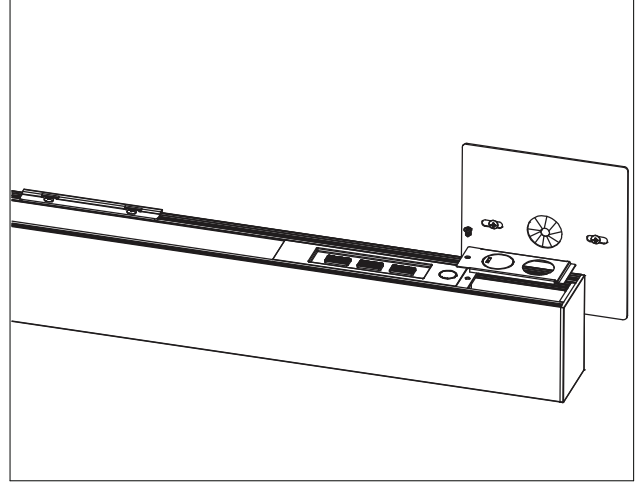


Risk of fire and electricity The installation must be done by electricians or professionals Turn off the power supply before operation.

5. Insert mounting plate B on the light fixture into mounting plate A on the wall.



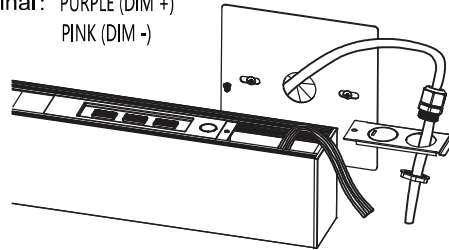
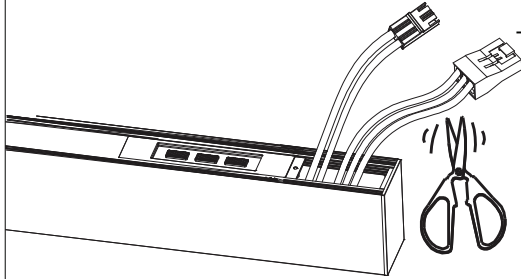
6. Remove one end screw of the lamp to pry open the wire hole.



7. Cut off one end of the terminal as required for wiring.

Three-position terminal: BLACK (LINE)
WHITE (NEUTRAL)
GREEN (GRD)

Two terminal: PURPLE (DIM +)
PINK (DIM -)



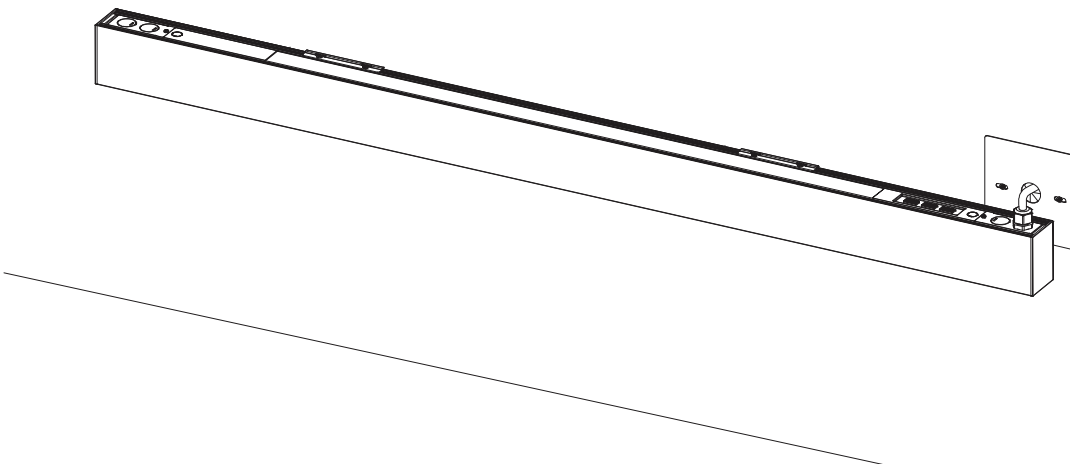
BLACK (LINE)
WHITE (NEUTRAL)
GREEN (GRD)

FIXTURE

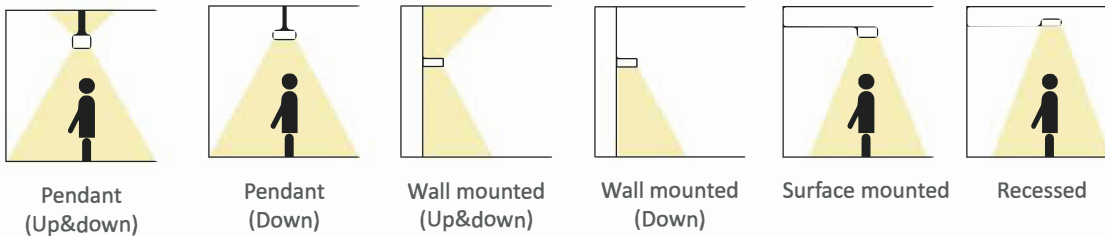
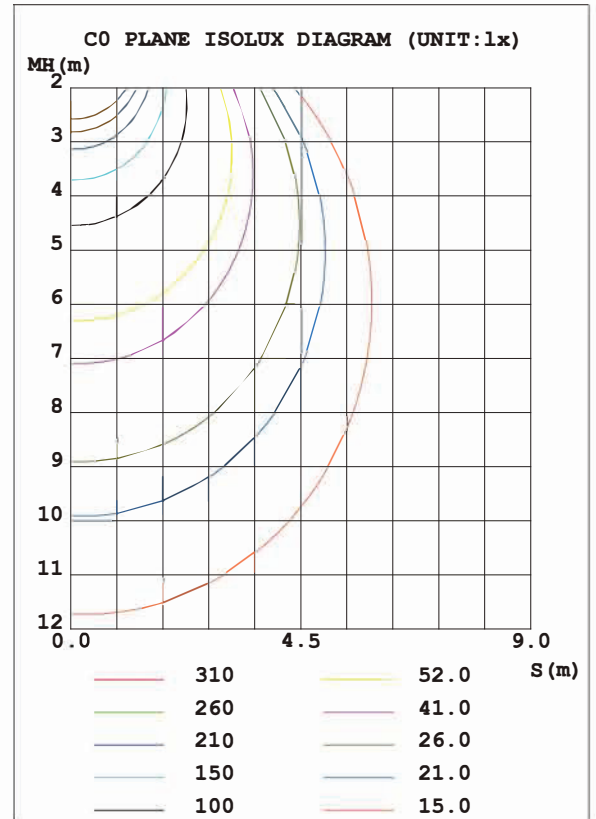
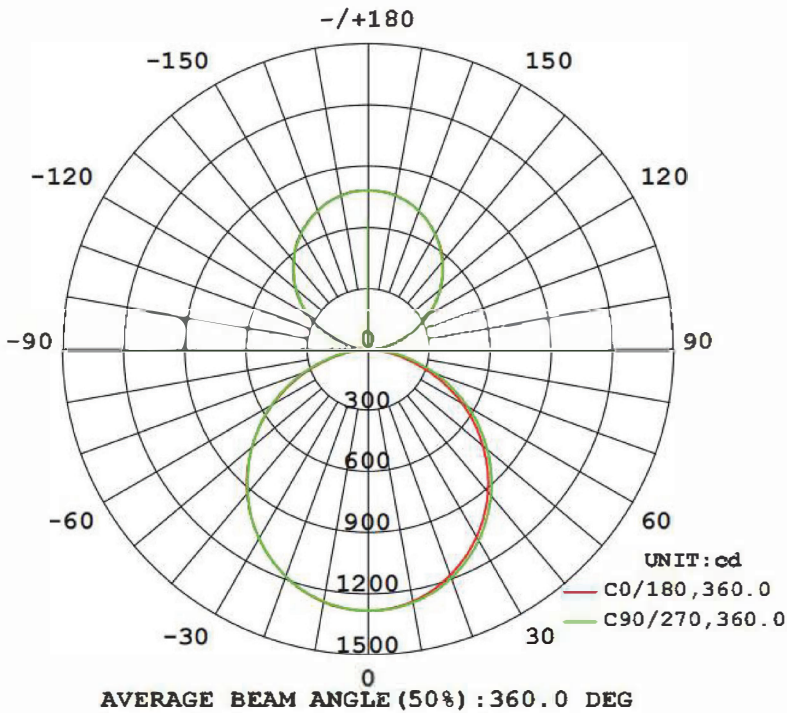
ToSource
120V-277V/
120V-347V

PURPLE (DIM +)
PINK (DIM -)
Dimming

8. Installation complete.



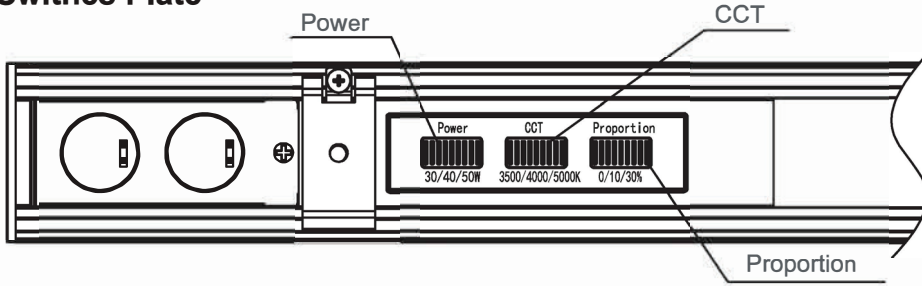
Testing Report



Features & Benefits

1. Extruded-aluminum housing is well suited for open-plan space design.
2. Provides lighting distribution options of 70% Downlight 30% Uplight, 90% Downlight 10% Uplight, 100% Downlight.
3. CCT selected at 3500K/4000K/5000K, 3 wattages selectable.
4. LED Efficiency of 115 lm/w, typical 80 plus CRI.
5. Smooth Dimming 0-10V dimming standard, universal voltage: 120-277V .
6. Available with suspended installation and suspended continuous row-mounting installation.
7. Easy Installation – Suspended kits provide an easy and fast pendant mounting.
8. UL & DLC5.1 certificate

Switces Plate



Others

The following multiple functions can be achieved according to customers' requests

- 1.Remove or turn off the emergency battery when testing the luminous efficacy.
- 2.Available with external or built-in microwave motion sensor
- 3.Emergency: the power is 8W, it can still work in 1.5hrs while emergency situation.
- 4.Remove or tum off the emergency battery when testing the luminous efficacy.



Accessories



Features:

Slim shape, easy to install

Built-in Lithium Battery

Self Testing

Constant output power(Auto-sensing output within each range)

Battery protections:over charge protection,over discharge protection,short circuit protection

UL listed for factory and field installation-UL 924 and CSA C22.2 NO.141

High-efficiency for CEC Compliance and US DOE.



Emergency Driver



- Tiny PIR Sensor with/out Bluetooth-lesh, Microwave Ver sion Interchangeable.
- Audio-Jack Classic Connection, 0-10V Dimming, with Daylight Harvesting
- Suitable for Indoor Lighting, Panel, Troffer etc.

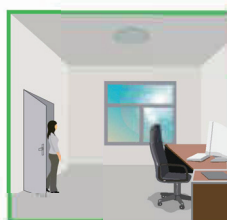
End Cap w/sensor



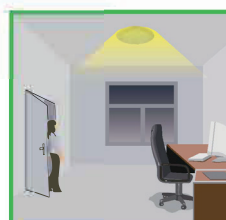
Canopy (for sensor)

The microwave sensor to achieve tri-level dimming control, for same areas that require a light change notice before switch off.

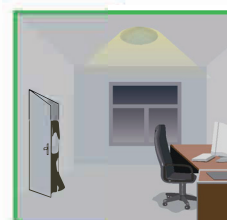
If offers 3 levels of the light Control : 100%-dimming light (0,10%,30%,50%)—off;and 2 periods of selectable waiting time: motion hold-time and stand-by time, Selectable daylight threshold and choice of detection area.



With sufficient natural light, the light does not switch on when presence detected.



With insufficient natural light, the sensor switches on the light automatically when person enters room.



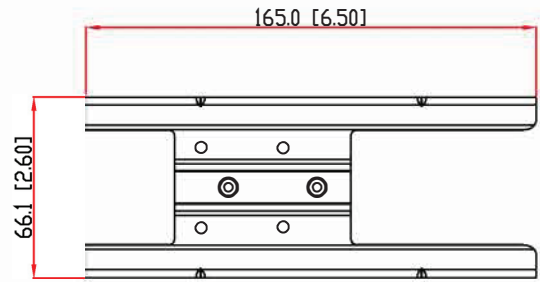
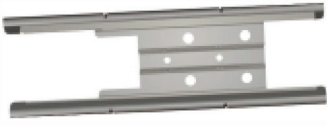
People left, light still dims to 0/10%/30%/50% (options) standby level after the hold time.



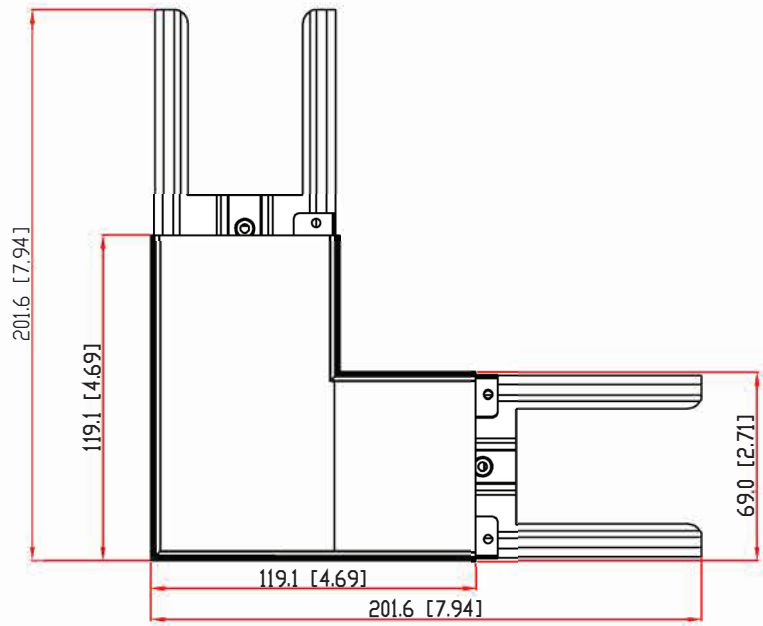
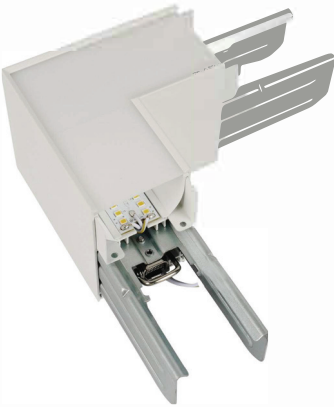
Light switches off automatically after after stand-by time elapsed.

Accessories

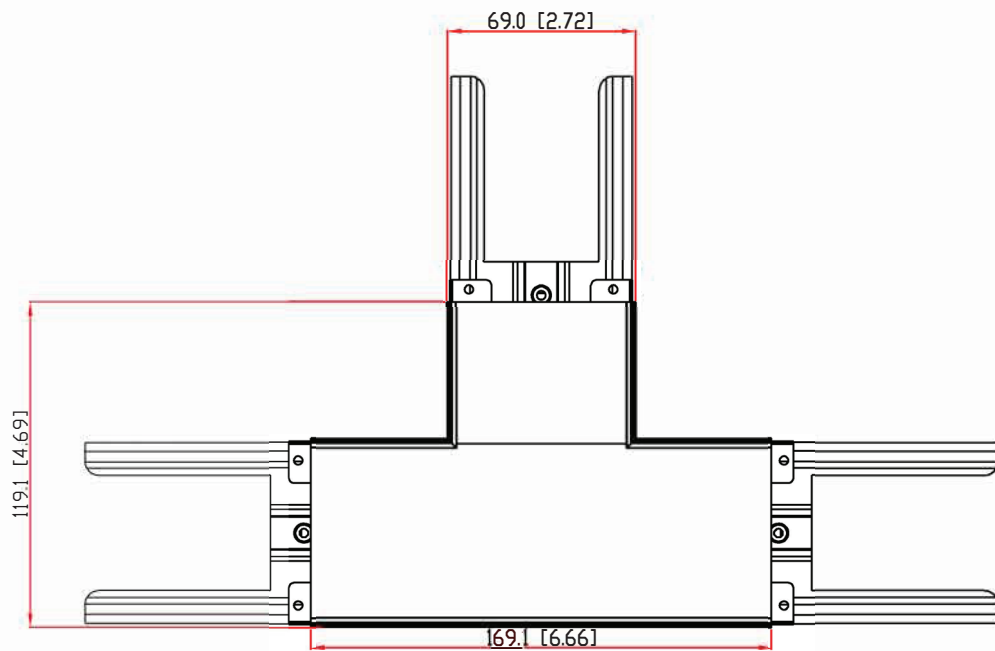
“—”joiner



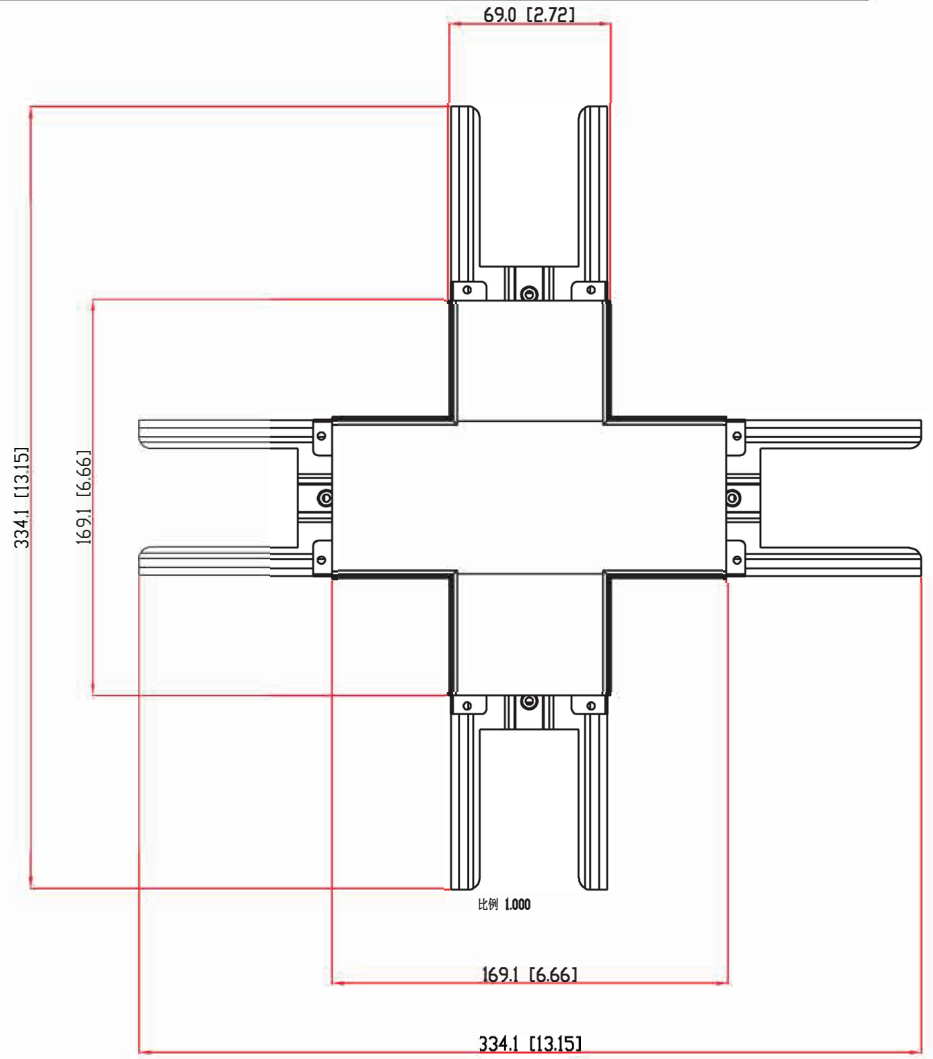
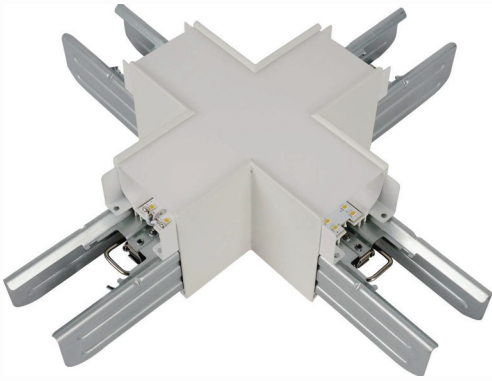
“ L ”joiner



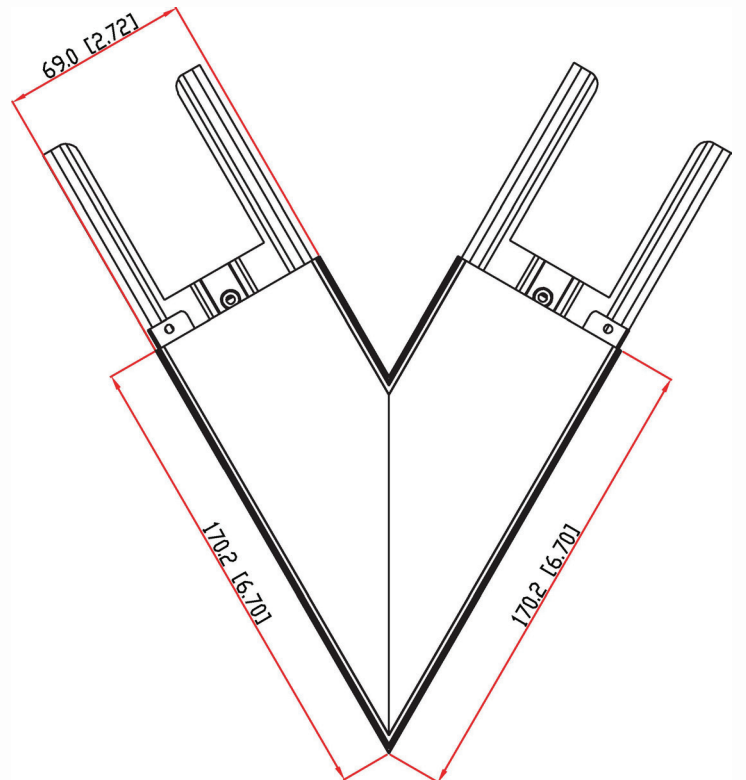
“ T ”joiner



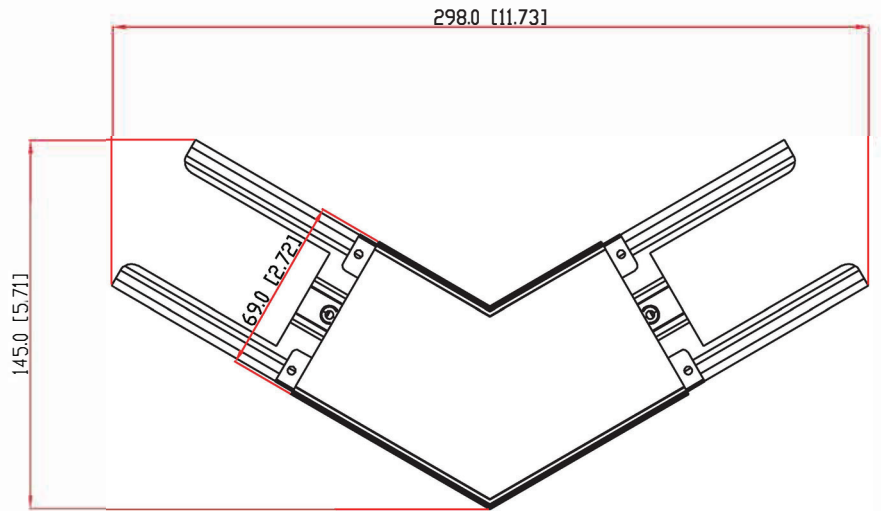
“X”joiner



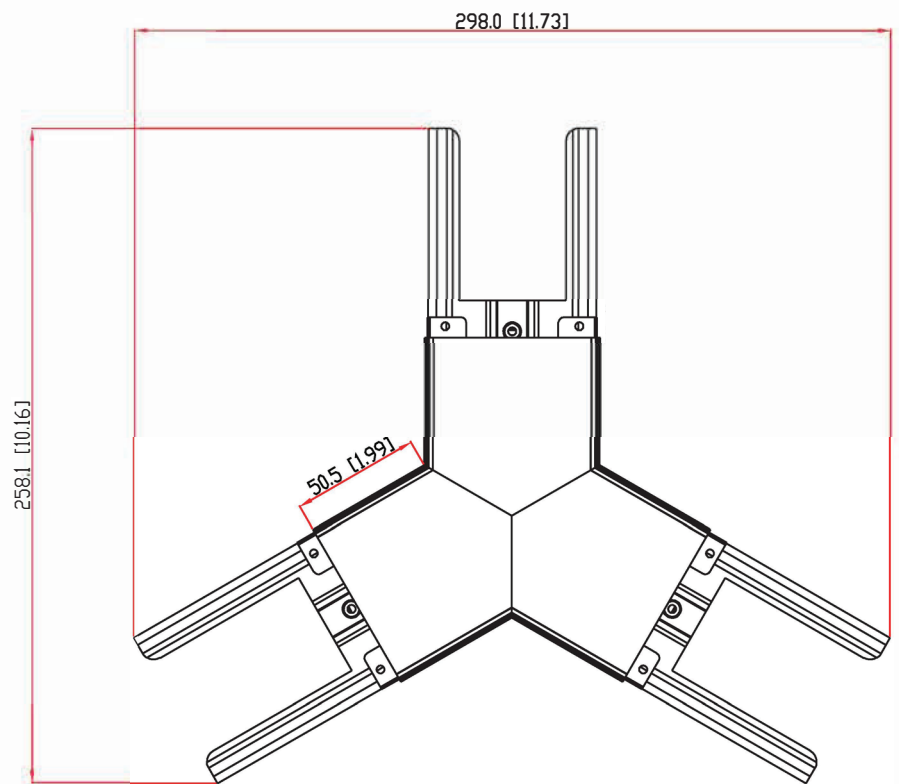
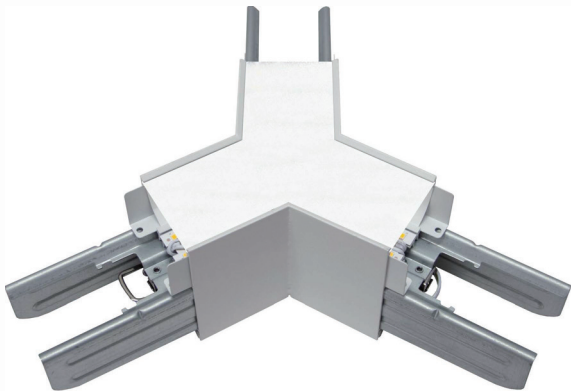
“V60”joiner



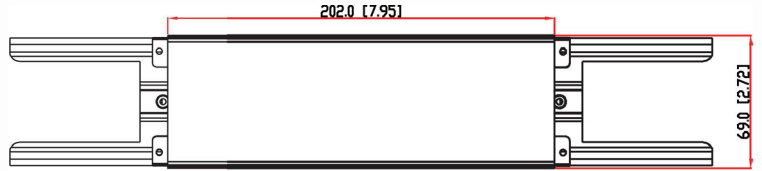
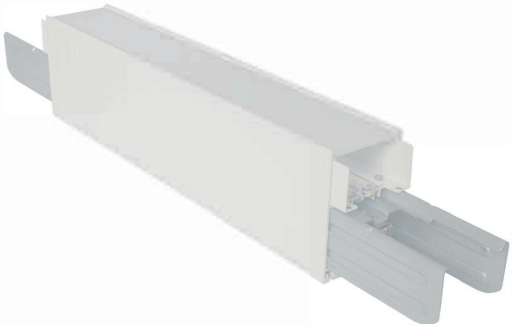
“V120”joinder



“Y ”joinder



“ I ”joinder



<p>Surface-mounted kits</p>	<p>Wall-mounted kits 1</p>	<p>Wall-mounted kits 2</p>	<p>Roll-out Lens</p>
<p>Assembled T-Grid Clips</p>	<p>Conduit-mounted kits</p>	<p>Aircraft Cable</p>	<p>Emergency Driver</p>
<p>Canopy(for sensor)</p>	<p>End Cap wisensor</p>	<p>ALF-DWC-BL ALF-DWC-WH</p>	
<p>Recessed Mounting Kits</p>			

Note

- 1.The installation and maintenance must be completed by electricians or professionals.
- 2.Please cut off the power before installation and maintenance.
- 3.The thermally insulating material is not allowed to cover the fixture.
- 4.Please keep away from the corrosive substance, and keep the fixture dry and clean.
- 5.Working temperature: -4°F~113°F, storage temperature: -22°F~140°F.

Important

Read this instruction carefully before installation. Keep it for further reference. Make electrical and grounded connections in accordance with the national electrical code and any applicable code. Always turn off the power supply before installation. This product must be installed in accordance with the applicable installation code by a qualified electrician who is familiar with the construction and operation of the product and the hazards involved.

WARNING:

- ⚠ Risk of fire or electric shock. Fixture installation requires knowledge of luminaires electrical systems. If not qualified, DO NOT attempt installation. Contact a qualified electrician.
- ⚠ Risk of fire or electric shock. Suitable for wet locations. Always turn off the power supply before installation.
- ⚠ Risk of fire or electric shock. Suitable for non-insulated surface and frame. DO NOT cover fixture with insulation liner or similar material.
- ⚠ DO NOT install fixture on unstable, loose or easily breakable surface.
- ⚠ DO NOT exert force on the surface of the fixture.

Packing /weight

	Inner box (L*W*H)	Outer box (L*W*H)	Qty/CTN (pcs)	N.W./pcs (lbs/kg)	G.W./CTN (lbs/kg)	Remark
2ft	24.3"* 3.8"*4.3" 618*97*110mm	24.9"* 16.1"*14.5" 633*410*368mm	12	2.98/1.35	38.1/17.3	With inner box
4ft	46.9"* 3.8"*4.3" 1190*97*110mm	47.4"* 16.1"*14.5" 1205*410*368mm	12	4.30/1.95	56.0/25.4	
8ft	91.9"* 3.8"*4.3" 2335*97*110mm	92.5"* 12.2"* 9. 8" 2350*310*250mm	6	8.16/3.70	58.4/26.5	