

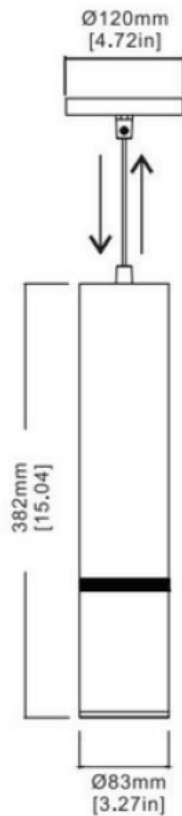
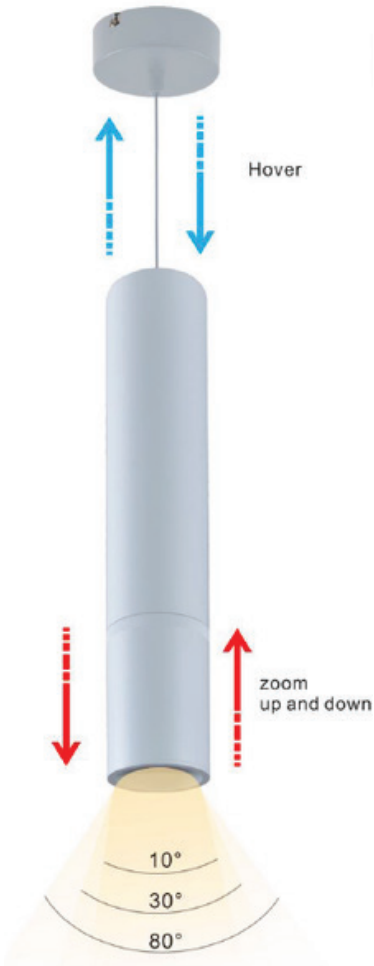
TECHNICAL DATA SHEET

LED Pendant Light

SZ-PDL30W327-CCT



IP20



General Data

Color: Black / White

Installation Method: Surface Mounted

Place of application: indoor

Technical Data

Rated voltage [V]: 120-277 AC

Rated frequency [Hz]: 60

Power [W]: 30

Class of protection against electric shock: II

Light source: LED COB

Luminous flux [lm]: 2400

Color temperature: 2700K-3000K-3500K-4000K-5000K

Color rendering index: 90

Service life [h]: 50000

Number of on/off cycles: ≥30000

Lighting angle [°]: 10-80

Light Shape: Round

Luminous efficiency of the lamp [lm/W]: 80

Housing material: Aluminum

IP class: 20

Size [inch]: D3.27*15.04

Function: Cable Adjustable from 0-59.06 inch

Operating temp. [°C]: -25~50

Storage temp. [°C]: -25~45

Warranty: 5 years

Certification: ETL



INSTALLATION INSTRUCTIONS

PLEASE READ CAREFULLY BEFORE INSTALLING FIXTURE
Save these instructions, as you may need them at a later date.

LED Pendant Light



100% DIMMABLE 100%



GENERAL: All electrical connections must be in accordance with local and National Electrical Code (N.E.C.) standards. If you are unfamiliar with proper electrical wiring connections, contact and obtain the services of a qualified electrician. Use UL or IEC approved wire only for input/output connections.

Remove fixture and mounting components from the box, and make sure that no parts are missing, by referencing the illustration in the illustration instructions.

DIMMING: This product is compatible with most common residential type dimmers. Dimming performance will depend upon dimmer, dimmer settings (dimmers with adjustments to brightness range), wiring method, and number of LED modules. For best results, set dimmer position at maximum before adjusting to a lower light level.

Turn power off before installation, inspection, or removal. Use all necessary precautions while performing this procedure.

Consult a qualified electrician to ensure correct branch circuit conductor. Min 90°C supply conductors.

Properly ground electrical enclosure. IT IS IMPERATIVE THAT THE OUTLET BOX BE PROPERLY GROUNDED.

DO NOT REVERSE THE HOT AND NEUTRAL CONNECTIONS, OTHERWISE SAFETY WILL BE COMPROMISED.

This Integrated LED Fixture has no lamp/bulb to replace.



TROUBLESHOOTING

- Check that line voltage at fixture is correct.
- Ensure that there is voltage at lamp fixture wires. If there is no voltage, then check all connections.
- Check that fixture is grounded properly.

If fixture does not light:

- Check switch to ensure that there are no defects.
- Check fuse/circuit breaker for trips, then check wiring connections.



CLEANING AND MAINTENANCE:

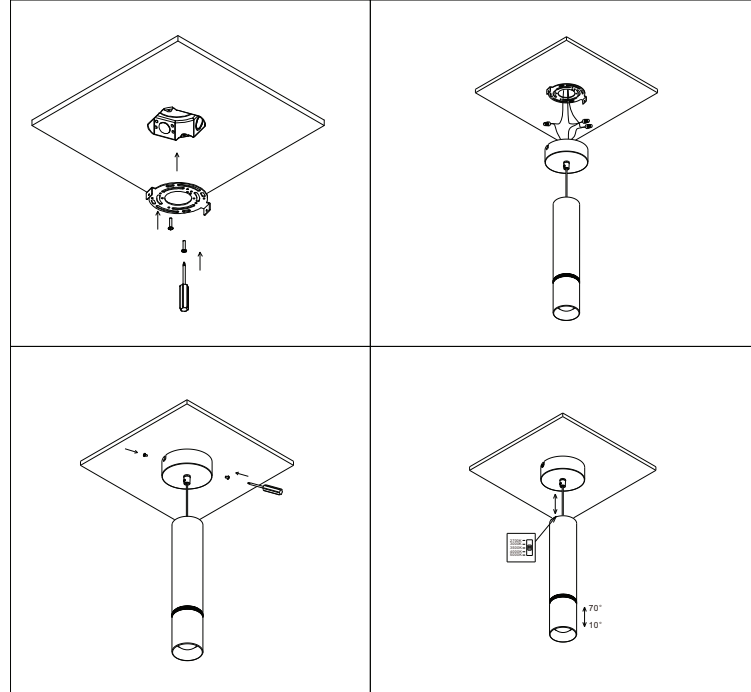
CAUTION: Ensure fixture temperature is cool enough to touch.

DO NOT clean or perform maintenance while fixture is energized.

- Clean lens and fixture with non-abrasive cleaning solution.
- Do not open fixture to clean LED. Do not touch the LED.
- Do not spray liquid directly on to LED, LED driver or wiring.



Figure 1



↓ Please follow these steps for installation. ↓

INSTALLATION INSTRUCTIONS

CAUTION-Turn off switch at main power source before installing any track or fitting.

1. Place the gossip board on the gossip box, place screws in the mounting holes, adjust the direction of the gossip board, and tighten the gossip board with a screwdriver;
2. Screw the corresponding wires together, and then tighten with the wiring cap, and then place the lamp upward on the corresponding installation position and align with the installation hole;
3. Place screws on the mounting holes of the lamp and the gossip board, and tighten them with a screwdriver;
4. Hover function, 5CCT selectable 27k-30k-35k-40k-50k, Zoomable function 10° - 80° ;