

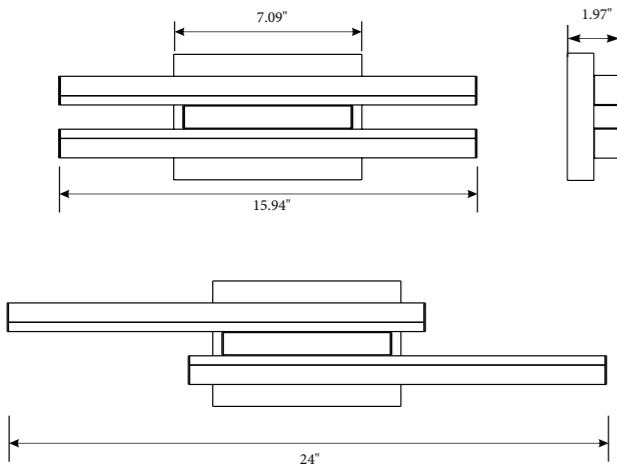


Factory Setting



After Extension

**Applications**



**Finished**



Black

Size	Power	CCT Function	Lumen	CRI	Dim	Voltage	Certificate	PCS/CTN	CTN Size
16-24"	25W	5CCT	1700lm	80	Triac-Dim	120V	ETL/cETL	18PCS	/

**Solution**

- ETL/cETLus Listed 1598
- Inergrated AC Direct Drive(No DC Driver)
- Voltage 120V
- Wide temperature range(Tc) from -40°C to +85°C

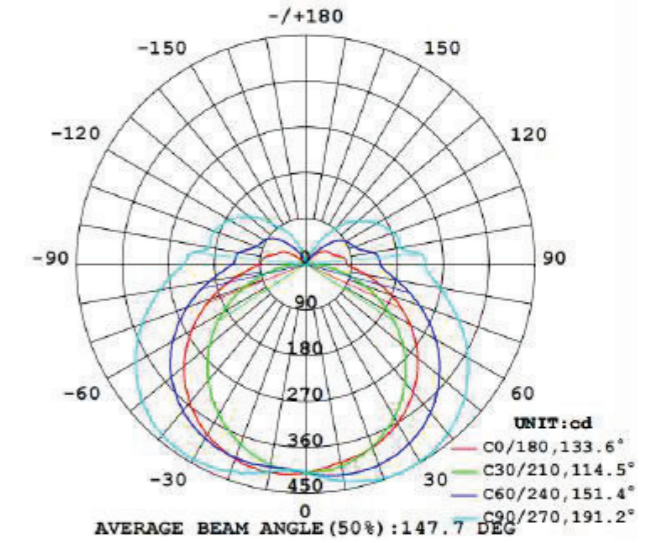
**Dimmer List**

- Illuma Tech IPL06-107
- Sure Slide 6672-1LM
- Sure Slide 6674-P0W
- Decora DLS06-1LZ
- Maestro CLMACL-153M
- Skylark Contour CTCL-153P
- Caseta PD-6WCL
- Ariadni CL TGCL-153P

**General Specifications**

Input Voltage / Frequency	120V 60HZ
Input PF .	0.90
Max Efiency	68LM/W
Dim mode	Triac-Dim
CRI	80
Input current	<10A
Turn on time	<0.5S
PCB Material	MCPCB
Operating Temperature Range	-25~45° C
LED model no.	2835 9V 1W
Use	Damp Rated
<b>Warranty</b>	<b>5 years</b>

**Luminous intensity distribution diagram**



**Installation**

